



Technical Service Bulletin

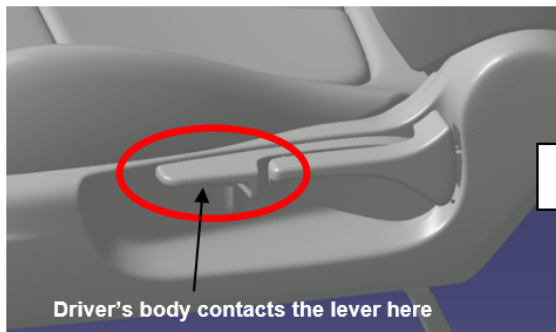
SUBJECT:		DRIVER'S SEAT GRADUALLY & UNINTENTIONALLY MOVES DOWN		No: TSB-22-52A-004
				DATE: July 2022
				MODEL: See Below
CIRCULATE TO:	<input type="checkbox"/> GENERAL MANAGER	<input checked="" type="checkbox"/> PARTS MANAGER	<input checked="" type="checkbox"/> TECHNICIAN	
<input checked="" type="checkbox"/> SERVICE ADVISOR	<input checked="" type="checkbox"/> SERVICE MANAGER	<input type="checkbox"/> WARRANTY PROCESSOR	<input checked="" type="checkbox"/> SALES MANAGER	

PURPOSE

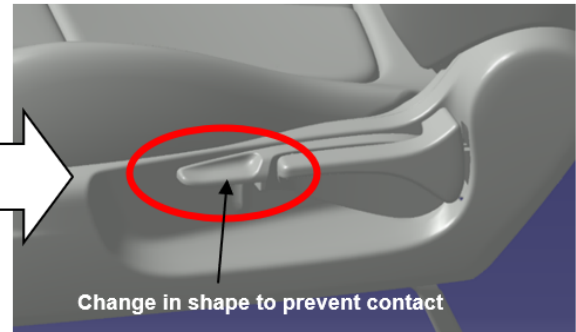
The driver's seat gradually goes down without the manual height adjustment lever being intentionally operated. Contact is easily and unintentionally made with the height adjustment lever when the driver is entering and exiting the vehicle.

This TSB instructs dealers on how to replace the height adjuster lever with a new part on a customer complaint basis. The shape of the high adjuster lever has been changed to help prevent unintentional adjustment and downward seat movement.

【Current shape】



【New Shape】



AFFECTED VEHICLES

All 2018-2020 Eclipse Cross
All 2022 Eclipse Cross

PROCEDURE

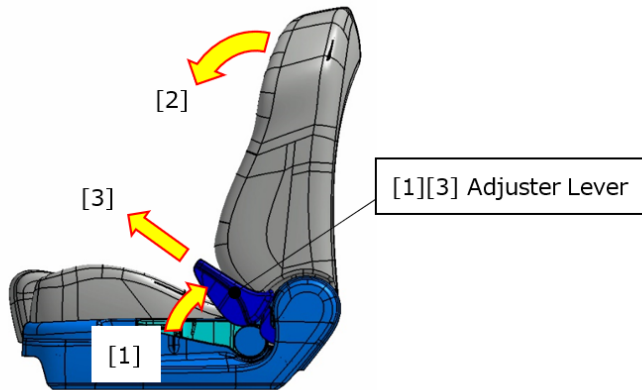
Refer to the Service Manual as needed: Group 52A -> Interior -> Front Seat Assembly -> Disassembly and Assembly.

Copyright 2022, Mitsubishi Motors North America, Inc.

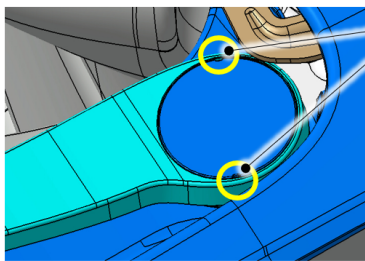
The information contained in this bulletin is subject to change. For the latest version of this document, go to the Mitsubishi Dealer Link, MEDIC, or the Mitsubishi Service Information website (www.mitsubishitechinfo.com).

PROCEDURE (Continued):

1. To remove the seat height adjuster lever:
 - a. Lift the adjuster lever as illustrated [1]
 - b. Fold the seat forward to the maximum position as illustrated [2]
 - c. Pull the adjuster lever as illustrated [3]



2. To remove the height adjuster lever cap, insert tool into the groove surrounding the cap as illustrated.



Groove around the cap of the height adjuster lever



3. Remove the height adjuster lever bolts as illustrated below and remove the lever. Replace with a new lever.



PARTS

Part Name	New Part No.	Old Part No.	QTY
LEVER, HEIGHT ADJUSTER, LH	87396W011P	6940A211XA	1

WARRANTY

This bulletin is supplied as technical information only and is not an authorization to repair. If an affected vehicle is reported with the described condition, diagnose the condition, repair as described in this bulletin and submit a normal warranty claim using the information below.

NOTE: Submit a claim using the **PRIMARY PART NUMBER** which is: **87396W011P**. Claims submitted using the incorrect primary part may be investigated and require correction.

OPERATION	CAUSE CODE	NATURE CODE	OP CODE	TIME ALLOWANCE
Replace the driver's side Lever, Height Adjuster, LH	990	86Z	521153FK	0.3 HOURS

PRIMARY PART #: 87396W011P

Warranty Coverage: 5/60 Basic Coverage (Canada: 5/100)