

LTB01304NAS2



TECHNICAL BULLETIN

13 JUL 2022

© Jaguar Land Rover North America, LLC

NOTE: The information in Technical Bulletins is intended for use by trained, professional Technicians with the knowledge, tools, and equipment required to do the job properly and safely. It informs these Technicians of conditions that may occur on some vehicles, or provides information that could assist in proper vehicle service. The procedures should not be performed by 'do-it-yourselfers'. If you are not a Retailer, do not assume that a condition described affects your vehicle. Contact an authorized Land Rover service facility to determine whether this bulletin applies to a specific vehicle.

INFORMATION

This reissue replaces all previous versions. Please destroy all previous versions.

This bulletin supersedes TSB LTB01304NAS1/2019 dated 01 AUG 2019, which should either be destroyed or clearly marked to show it is no longer valid (e.g. with a line across the page). Only refer to the electronic version of this Technical Bulletin in TOPIx.

Changes are highlighted in blue

SECTION:

417-01

SUBJECT/CONCERN:

Outer Tail Lamps Water Ingress/Cracking lenses/Noise When Driving

AFFECTED VEHICLE RANGE:

MODEL:	MODEL YEAR:	VIN:	ASSEMBLY PLANT:
New Range Rover Evoque (LZ)	2020-2023	000268-185064	Halewood

MARKETS:

NORTH AMERICA

CONDITION SUMMARY:**SITUATION:**

The outer tail lamps may have water ingress, be cracked or making a noise while driving.

This Technical Bulletin has been updated due to a change to the affected vehicle range.

CAUSE:

Insufficient gap between the outer tail lamp and rear quarter panel.

ACTION:

Follow the procedure(s) below.

PARTS:

PART NUMBER	DESCRIPTION	QUANTITY
LR173011	Outer tail lamp - Left	1

PART NUMBER	DESCRIPTION	QUANTITY
LR173012	Outer tail lamp - Left	1
LR173013	Outer tail lamp - Left	1
LR173006	Outer tail lamp - Right	1
LR173009	Outer tail lamp - Right	1
LR173010	Outer tail lamp - Right	1

WARRANTY:

NOTE:

* When submitting your Warranty claim within the Warranty portal, use the Condition Code list shown to select the Condition Code which best describes the vehicle defect.

NOTES:

- Repair procedures are under constant review, and therefore times are subject to change; those quoted here must be taken as guidance only. Use TOPlx to obtain the latest repair time.
- The JLR claims submission system requires the use of causal part numbers. Labor only claims must show the causal part number with a quantity of zero.

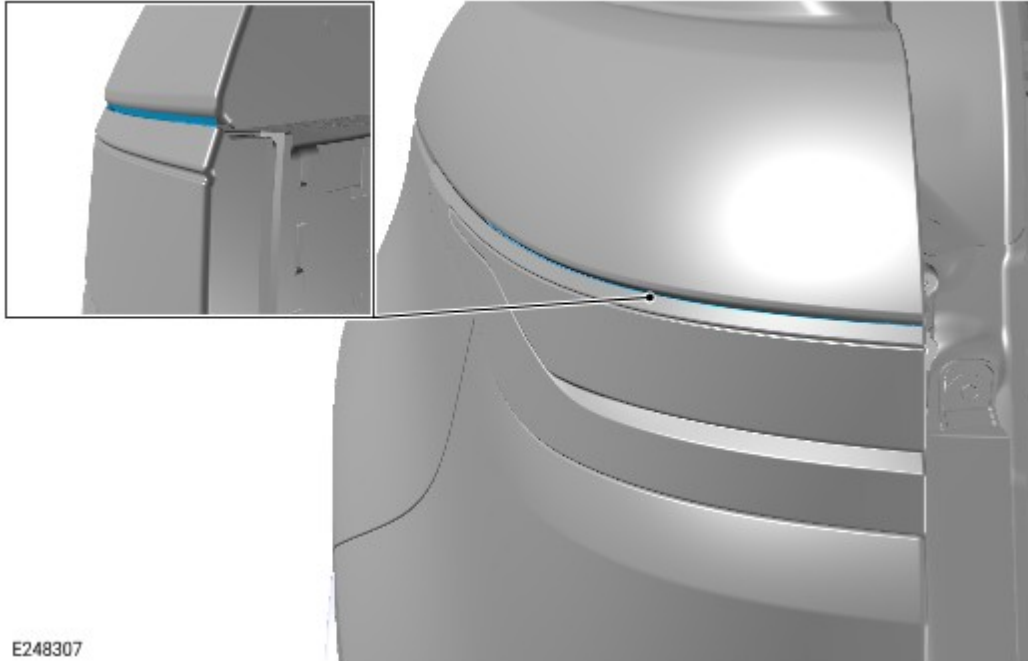
DESCRIPTION	SRO	TIME (HOURS)	CONDITION CODE	CAUSAL PART
Outer tail lamps - Inspect - No further action	86.41.89.01	0.1	*	LR116000
Outer tail lamps - Inspect - Align/renew - Single	86.41.89.02	1.3	*	LR116000
Outer tail lamps - Inspect - Align/renew - Pair	86.41.89.03	1.6	*	LR116000

NOTE:

Normal Warranty procedures apply.

SERVICE INSTRUCTION:

1.



E248307

Inspect the outer tail lamp and rear quarter panel gap on both sides of the vehicle.

- If **either** of the outer tail lamp and rear quarter panel gaps are less than 1 mm, continue to 'Outer Tail Lamp Alignment'.
- If **neither** of the outer tail lamp and rear quarter panel gaps are less than 1 mm, this is not the cause of the customer's concern.

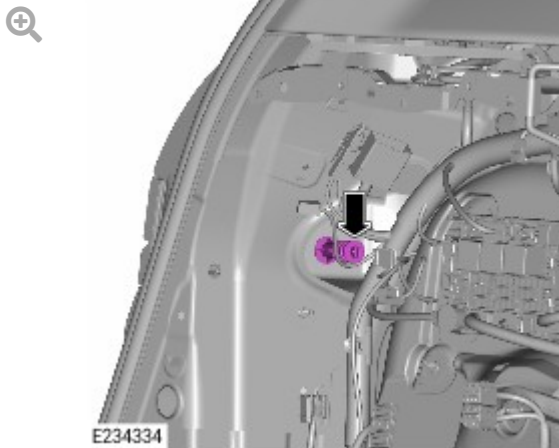
Continue diagnosis using the TOPIx Workshop Manual (see TOPIx Workshop Manual 501-00: Body System - General Information - Squeaks and Rattles).

SERVICE INSTRUCTION:

Outer Tail Lamp Alignment

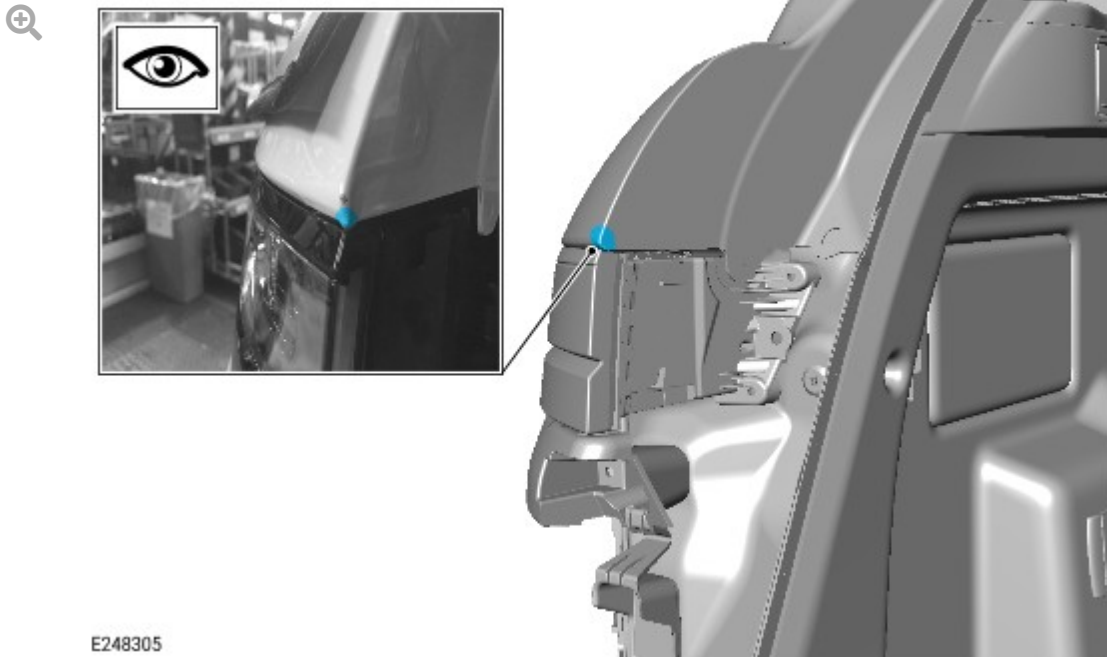
1. Remove the rear bumper (see TOPIx Workshop Manual section 501-19: Bumpers - Rear Bumper).
-
2. Remove the loadspace side trim panel (see TOPIx Workshop Manual section 501-05: Interior Trim and Ornamentation - Left/Right Loadspace Side Trim Panel).
-

3.



Remove the outer tail lamp fastener.

4.

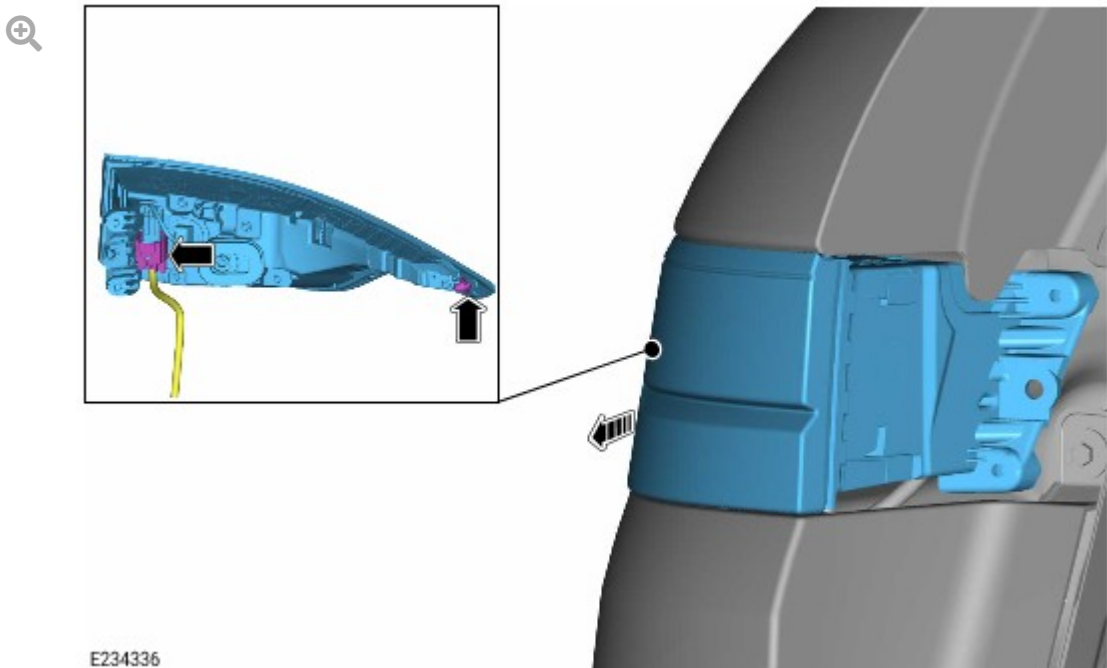


E248305

Visually inspect the area of the rear quarter panel shown.

- If there **is** excessive paint in the area shown or the outer tail lamp has cosmetic cracks and / or water ingress, continue to step 5.
- If there **is not** excessive paint in the area shown and the outer tail lamp does not have cosmetic cracks and / or water ingress, continue to step 8.

5.



E234336

Remove the outer tail lamp.

6.

NOTE:

Repairs to the vehicle body/paint must be completed by an approved body shop.

Repair the area with excessive paint if required.

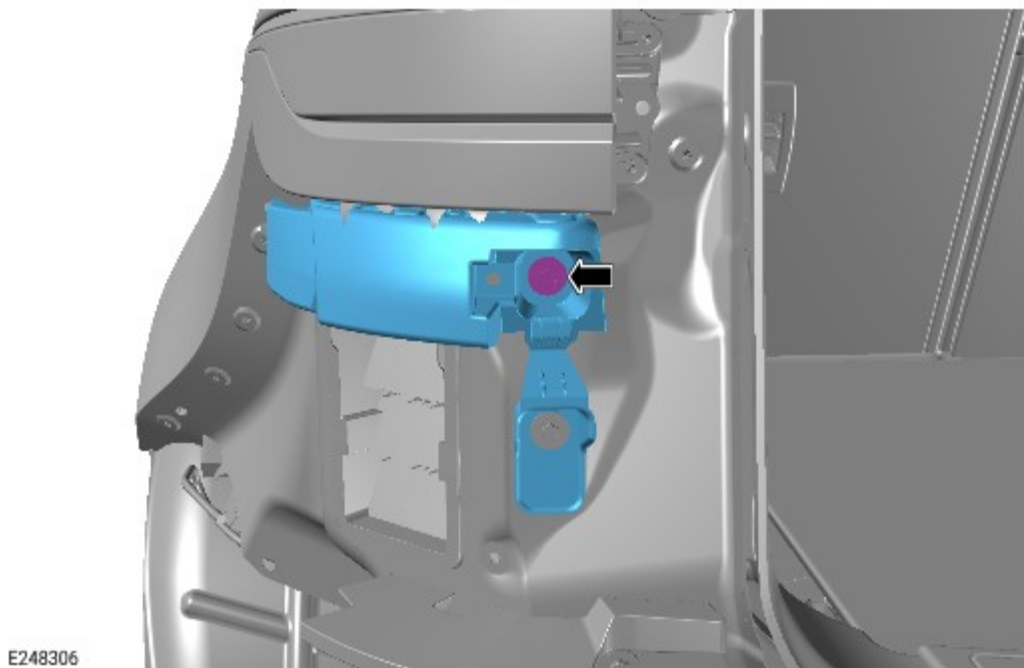
7.

NOTE:

Install a new outer tail lamp if the outer tail lamp has cosmetic cracks and / or water ingress.

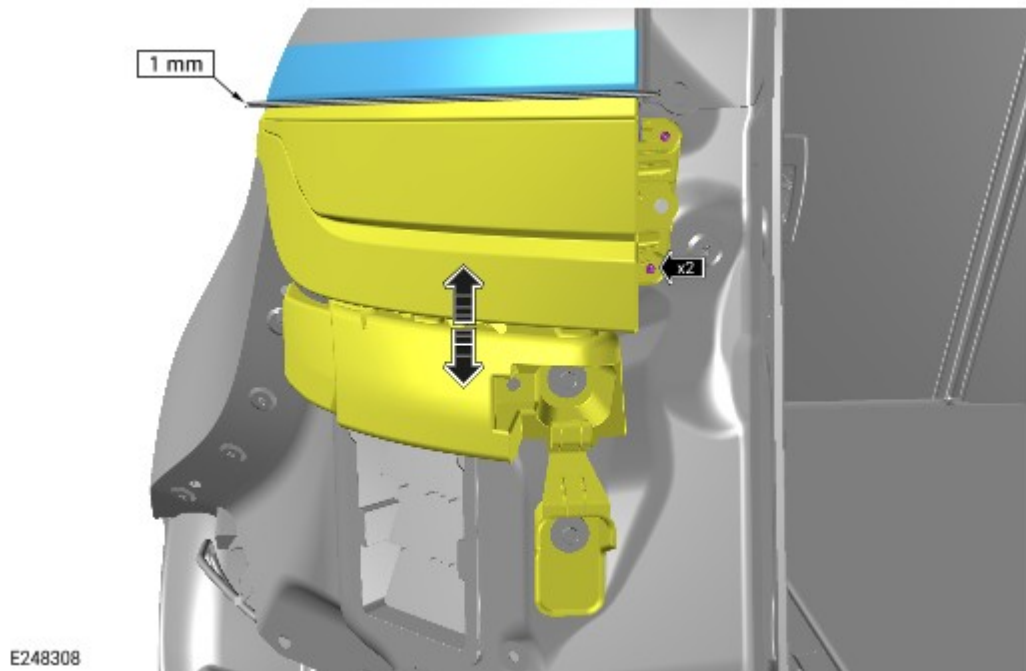
Install the outer tail lamp.

8.



Loosen the outer tail lamp bracket fastener.

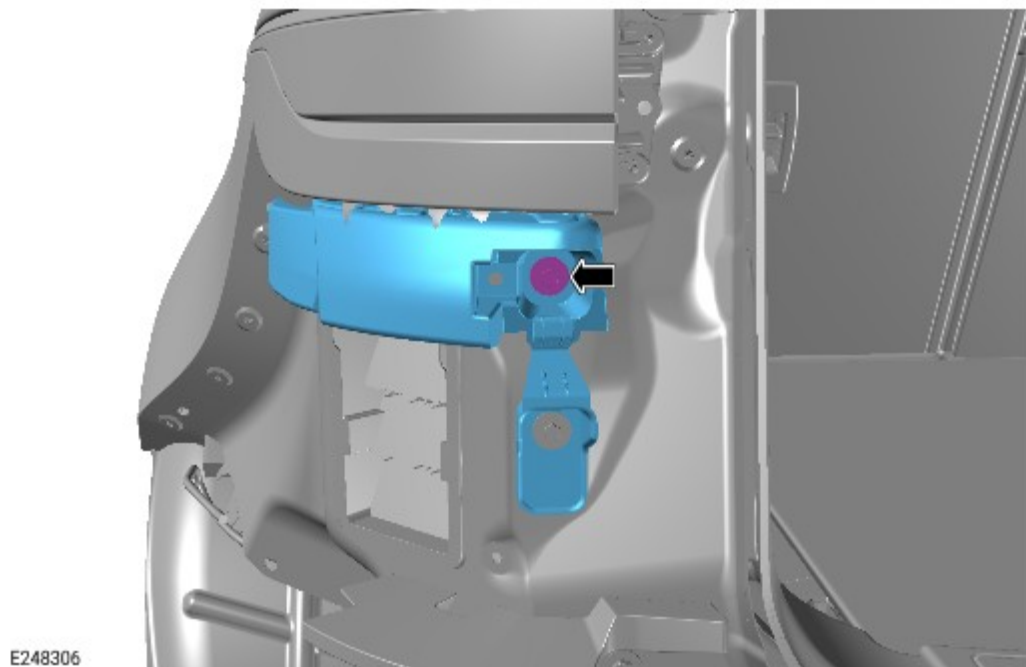
9.



Adjust the outer tail lamp so there is a 1 mm gap between the outer tail lamp and the rear quarter panel.

- If further adjustment is required, adjust the two fasteners shown.

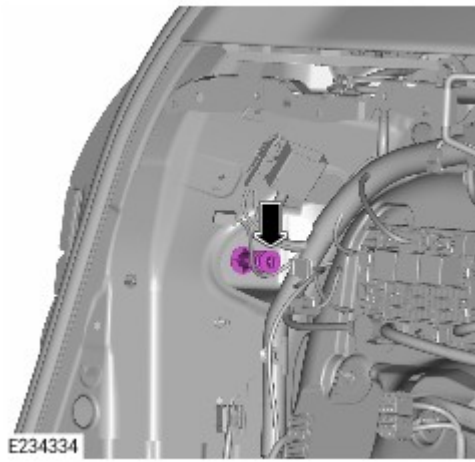
10.



Tighten the outer tail lamp bracket fastener.

- Torque: **2 Nm**

11.



Install the left outer tail lamp fastener.

- Torque: **2.5 Nm**

12. Install the loadspace side trim panel (see TOPIx Workshop Manual section 501-05: Interior Trim and Ornamentation - Removal and Installation - Left/Right Loadspace Side Trim Panel).

13. Repeat steps 2 - 12 to the other side of the vehicle if required.

14. Install the rear bumper (see TOPIx Workshop Manual section 501-19: Bumpers - Removal and Installation - Rear Bumper).