

JLRTB02106NAS1

TECHNICAL BULLETIN

13 JUL 2022



© Jaguar Land Rover North America, LLC

NOTE: The information in Technical Bulletins is intended for use by trained, professional Technicians with the knowledge, tools, and equipment required to do the job properly and safely. It informs these Technicians of conditions that may occur on some vehicles, or provides information that could assist in proper vehicle service. The procedures should not be performed by 'do-it-yourselfers'. If you are not a Retailer, do not assume that a condition described affects your vehicle. Contact an authorized Land Rover service facility to determine whether this bulletin applies to a specific vehicle.

INFORMATION

SECTION:

501-10

SUBJECT/CONCERN:

Second Row Seat Armrest Stowage Compartment Lid Will Not Latch

AFFECTED VEHICLE RANGE:

MODEL:	MODEL YEAR:	VIN:	ASSEMBLY PLANT:	APPLICABILITY:
Range Rover (LK)	2022-2023	000001-010840	Solihull	Vehicles Without: Executive Seats

MARKETS:

NORTH AMERICA

CONDITION SUMMARY:**SITUATION:**

The second row seat armrest stowage compartment lid will not latch.

CAUSE:

Design robustness.

ACTION:

Follow the instruction(s) below.

WARRANTY:**NOTE:**

* When submitting your Warranty claim within the Warranty portal, use the Condition Code list shown to select the Condition Code which best describes the vehicle defect.

NOTES:

- Repair procedures are under constant review, and therefore times are subject to change; those quoted here must be taken as guidance only. Use TOPIx to obtain the latest repair time.
- The JLR claims submission system requires the use of causal part numbers. Labor only claims must show the causal part number with a quantity of zero.

DESCRIPTION	SRO	TIME (HOURS)	CONDITION CODE	CAUSAL PART
-------------	-----	-----------------	-------------------	----------------

DESCRIPTION	SRO	TIME (HOURS)	CONDITION CODE	CAUSAL PART
JLRTB - Second row seat armrest stowage compartment lid - Modification	99.01.79	0.1	*	LR151015

NOTE:

Normal Warranty procedures apply.

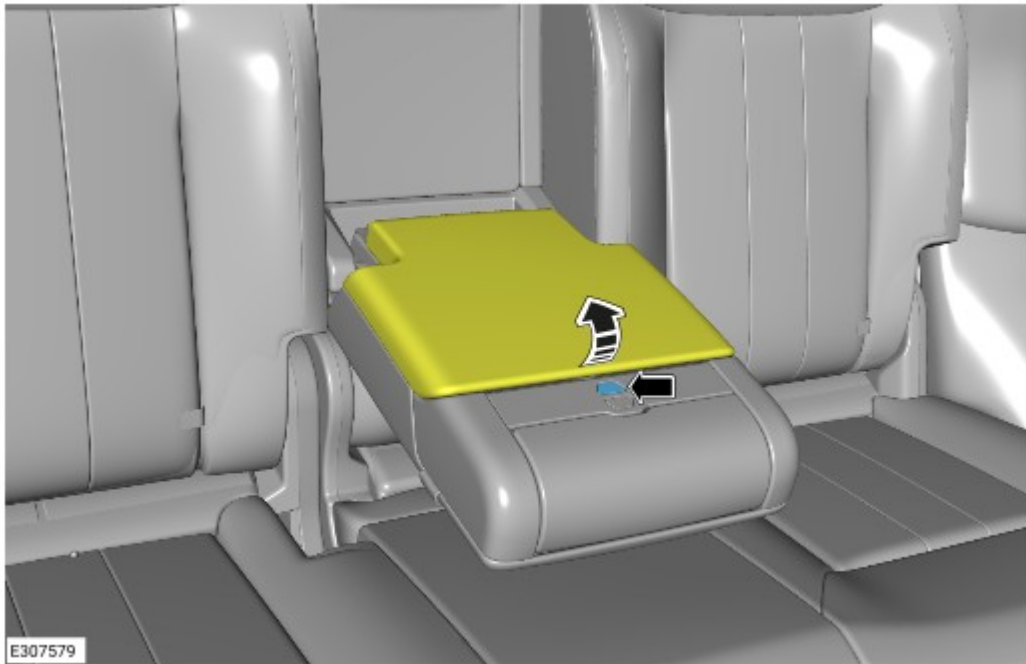
SERVICE INSTRUCTION:

1.



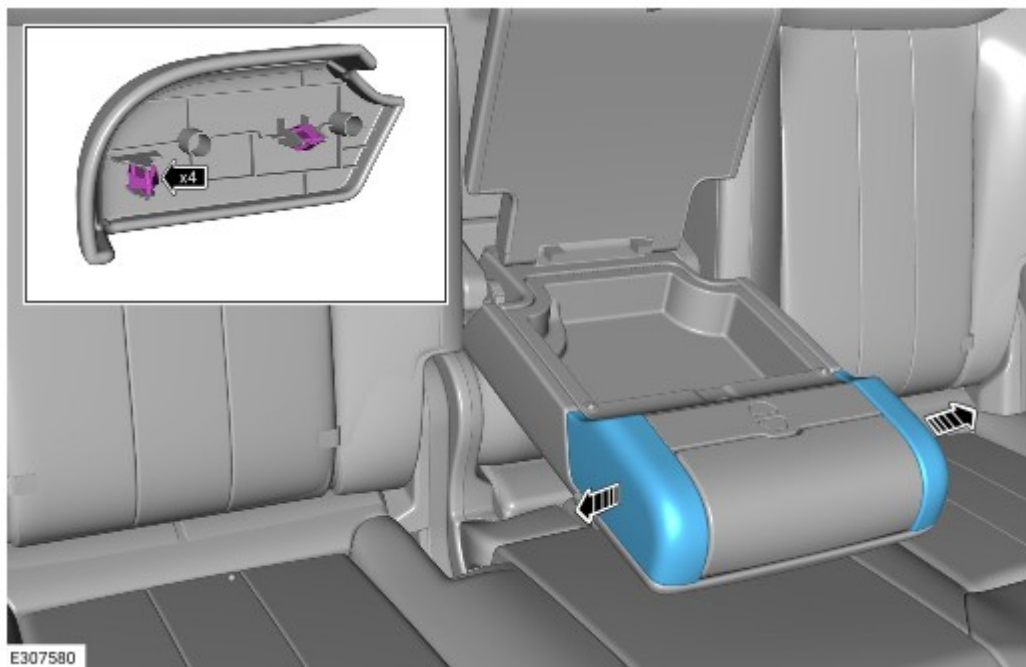
Lower the second row seat armrest.

2.



Release and raise the second row seat arm rest storage compartment lid.

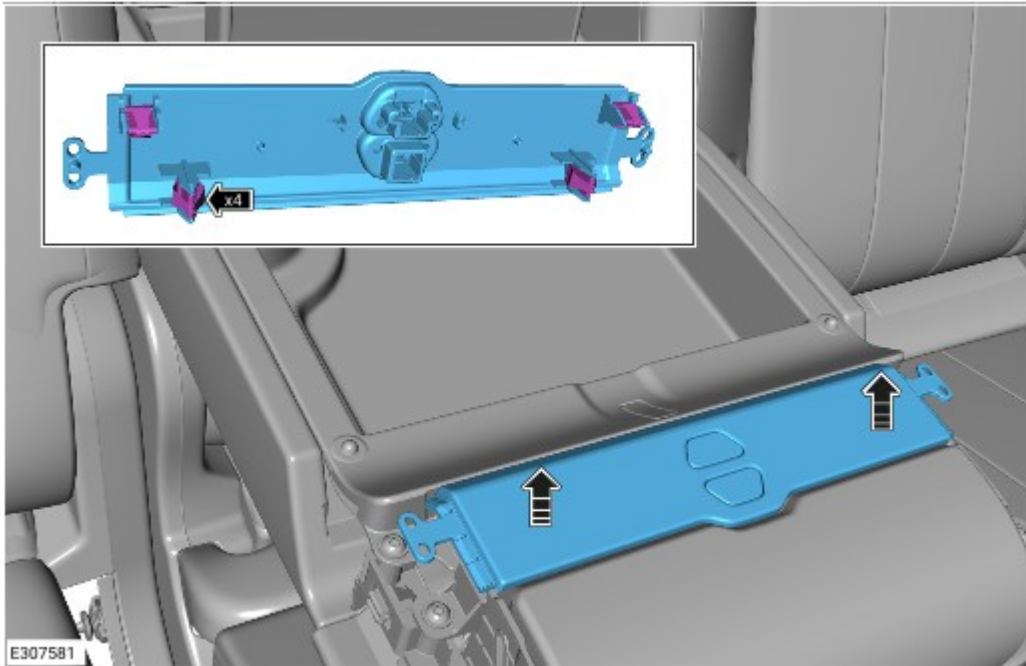
3.



Remove both side trims.

- Release the 4 clips.

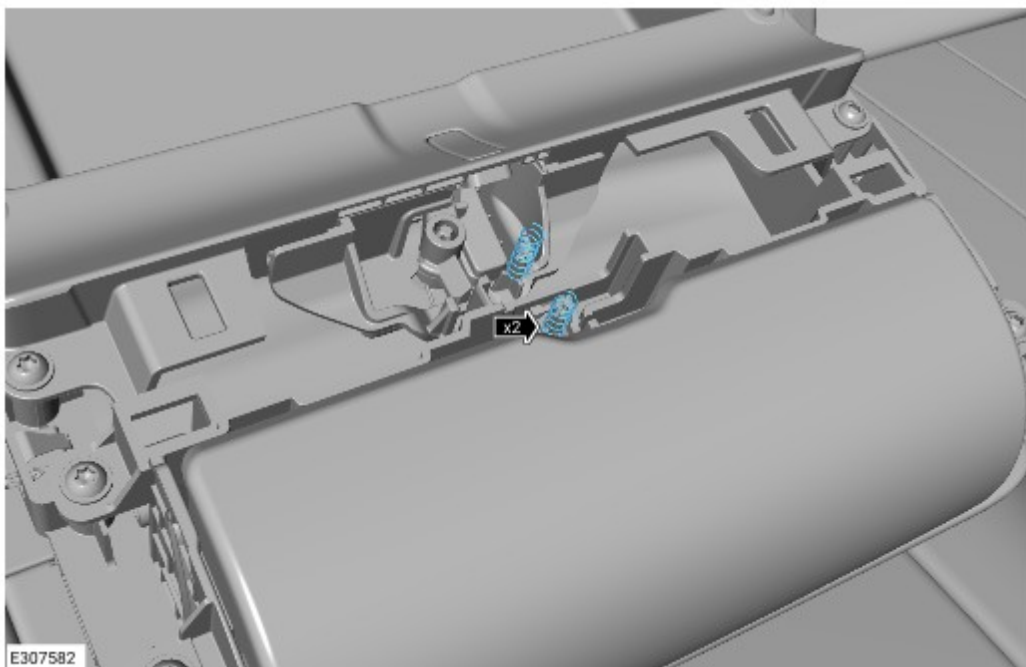
4.



Remove the trim panel.

- Release the 4 clips.

5.

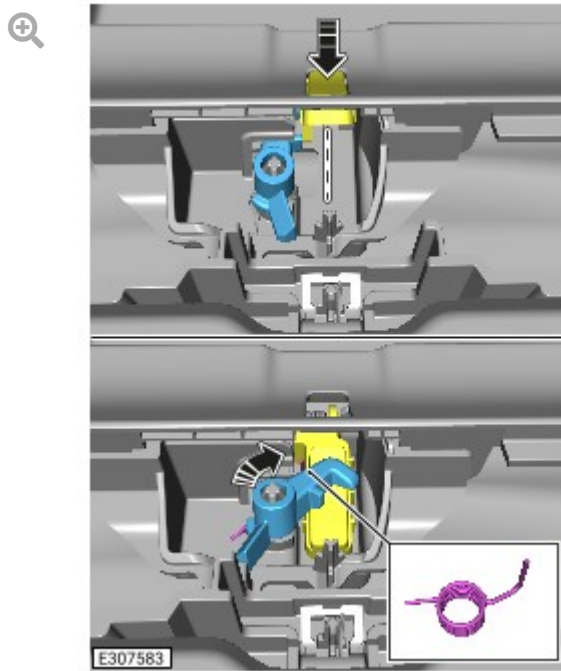


Remove the 2 springs.

6.

NOTE:

Note the installed position of the spring.

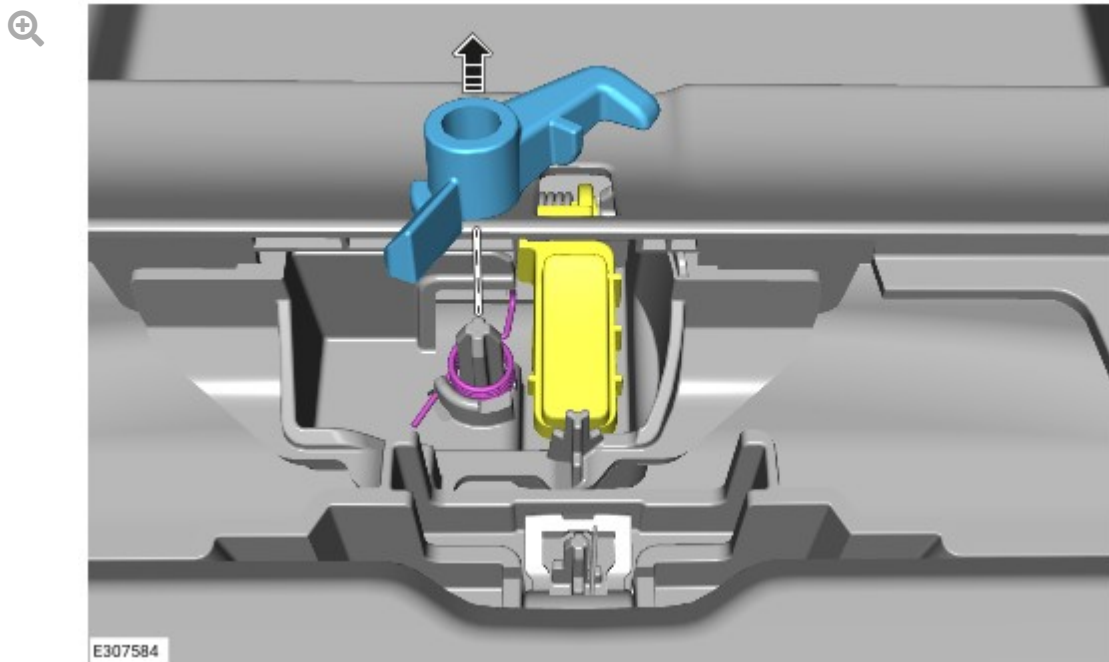


Press down on the lever and hold in position while rotating the locking arm clockwise.

7.

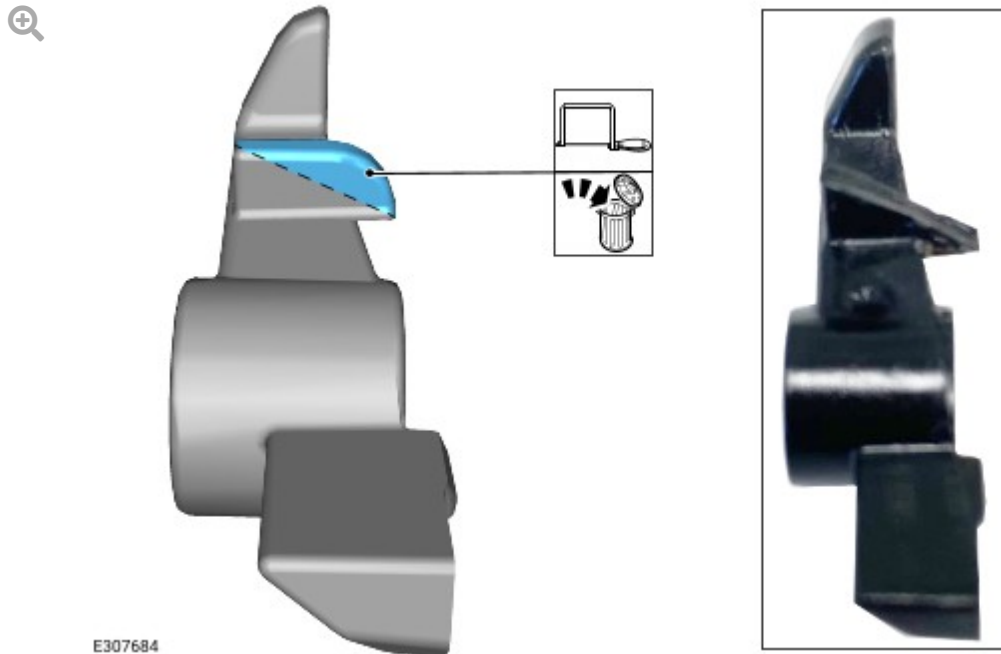
NOTE:

Do not remove the spring.



Remove the locking arm and release the lever.

8.

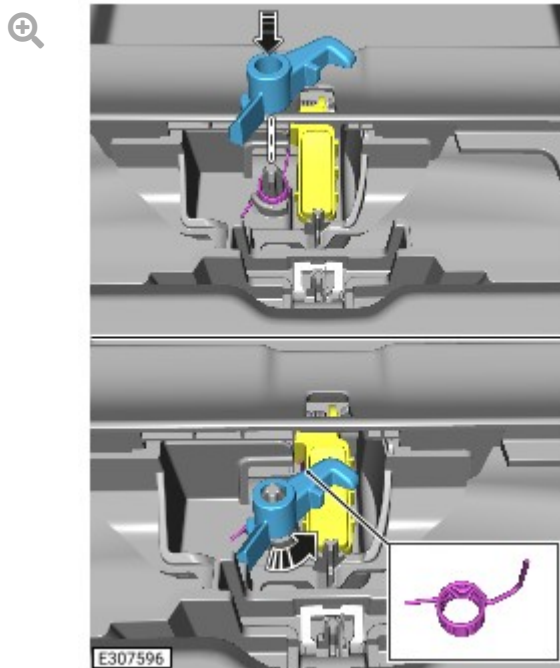


Use a suitable cutting tool to remove and discard the section of the locking arm shown highlighted in the illustration.

9.

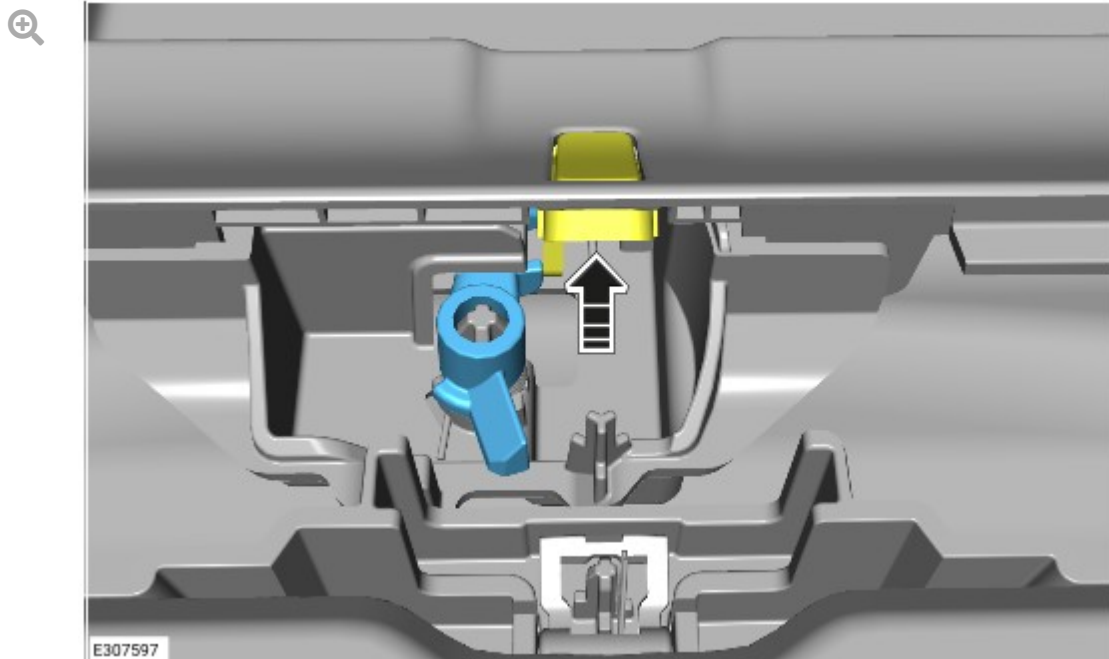
NOTE:

Make sure the spring is located correctly.



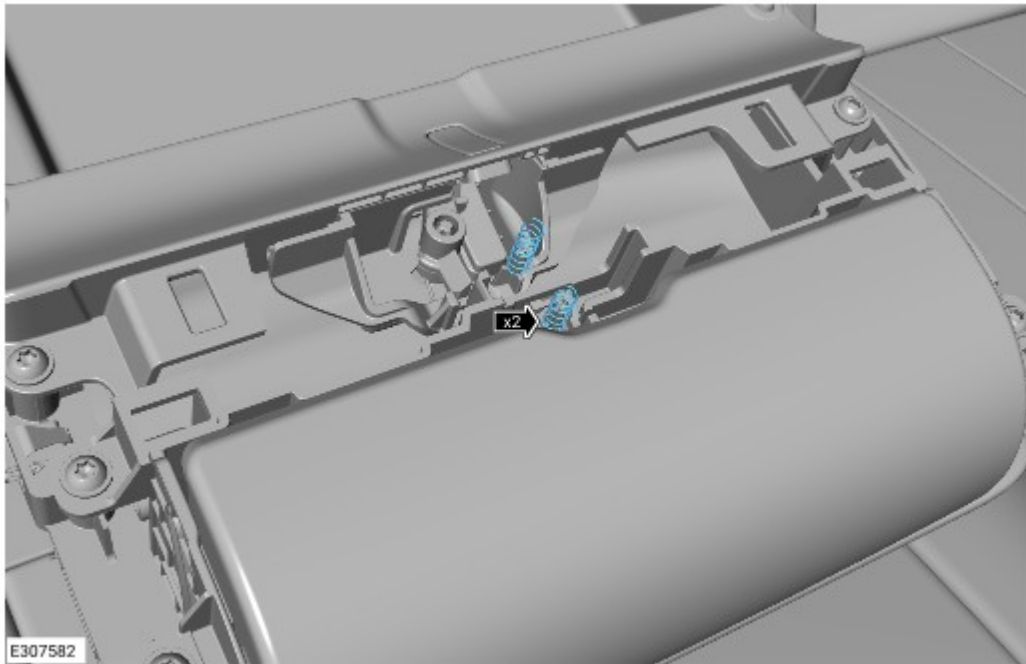
With the lever held down, install the locking arm and rotate it counter-clockwise to its original position.

10.



Release the lever.

11.

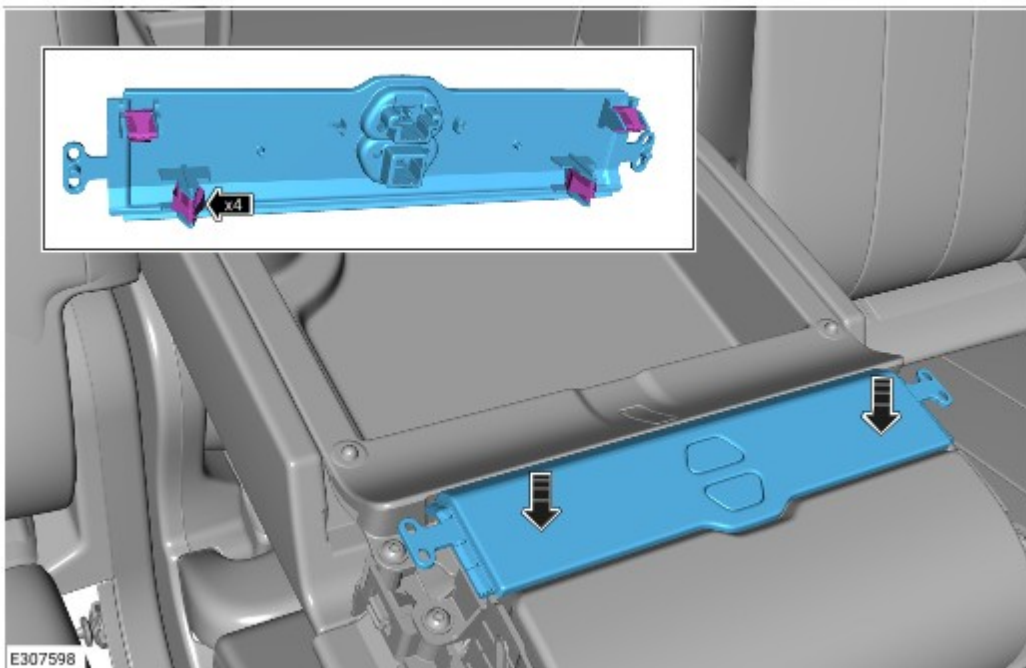


Install the 2 springs.

12.

NOTE:

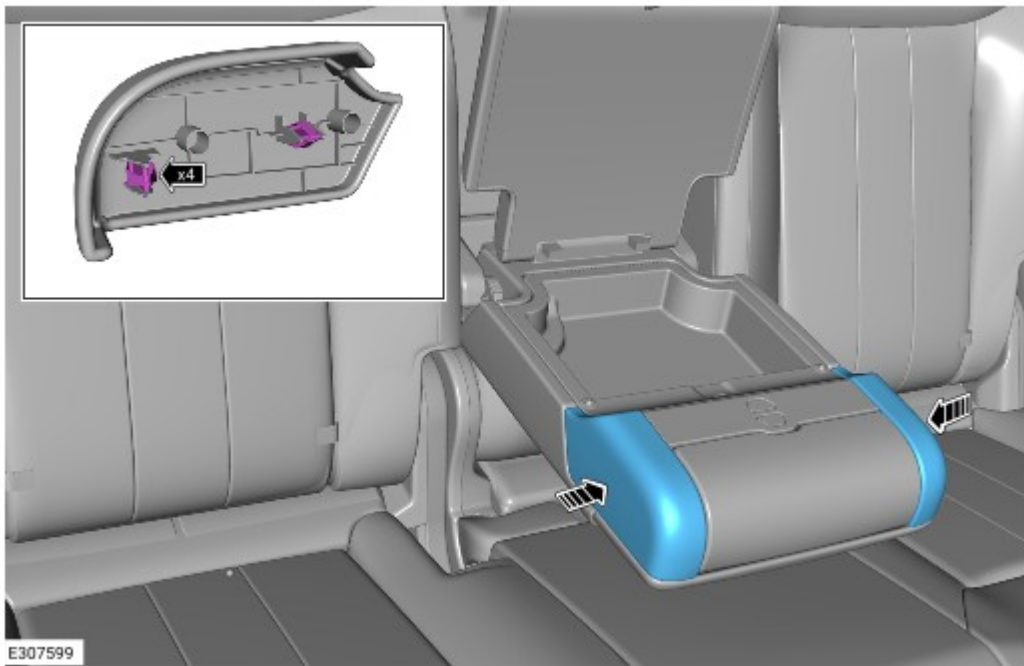
Make sure the springs are located correctly inside the release buttons.



Install the trim panel.

- Secure the 4 clips.

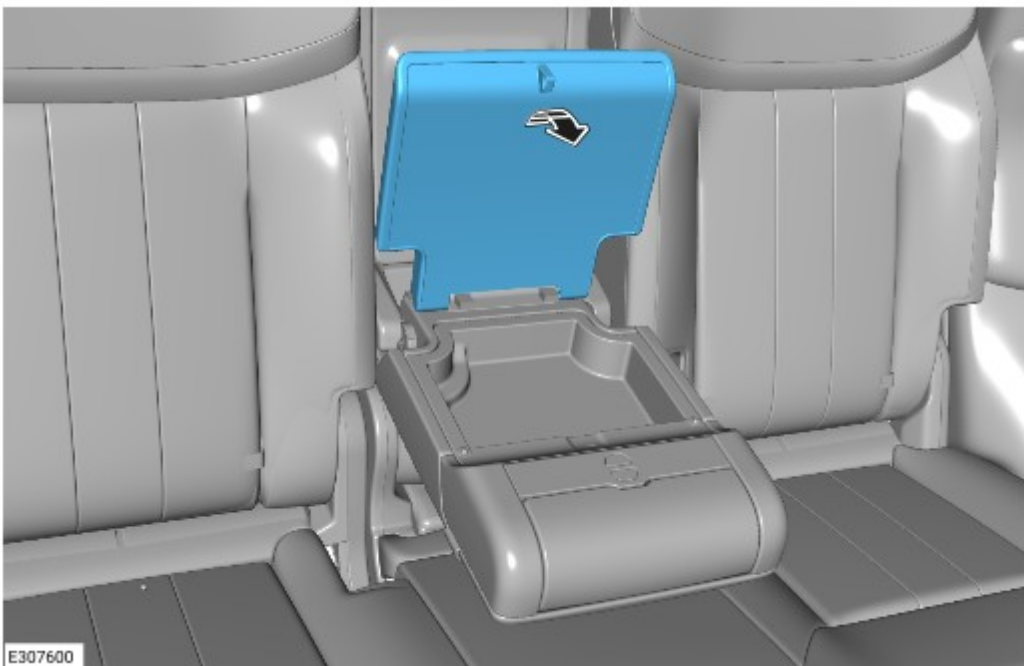
13.



Install both side trims.

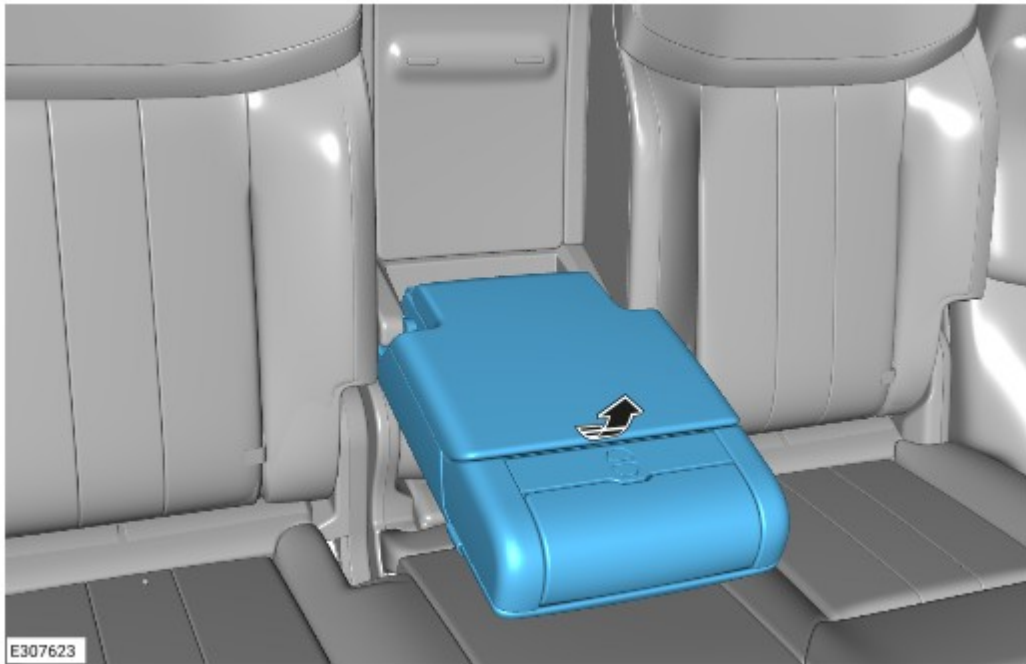
- Secure the 4 clips.

14.



Close the second row seat arm rest storage compartment lid.

15.



Raise the second row seat armrest into the stowed position.