

Service

Chassis ID	Path 3660/Technical service bulletins//Front Radar, Reprogramming
Model	Identity 165220000
Publish date 7/19/2022	ID/Operation V-366-003A

Front Radar, Reprogramming

V-366-003A

(July 2022)

Valid for

Volvo trucks equipped with Front Radar (collision avoidance system with adaptive cruise control) and built from 11/11/2013 through 07/01/2016.

Case description

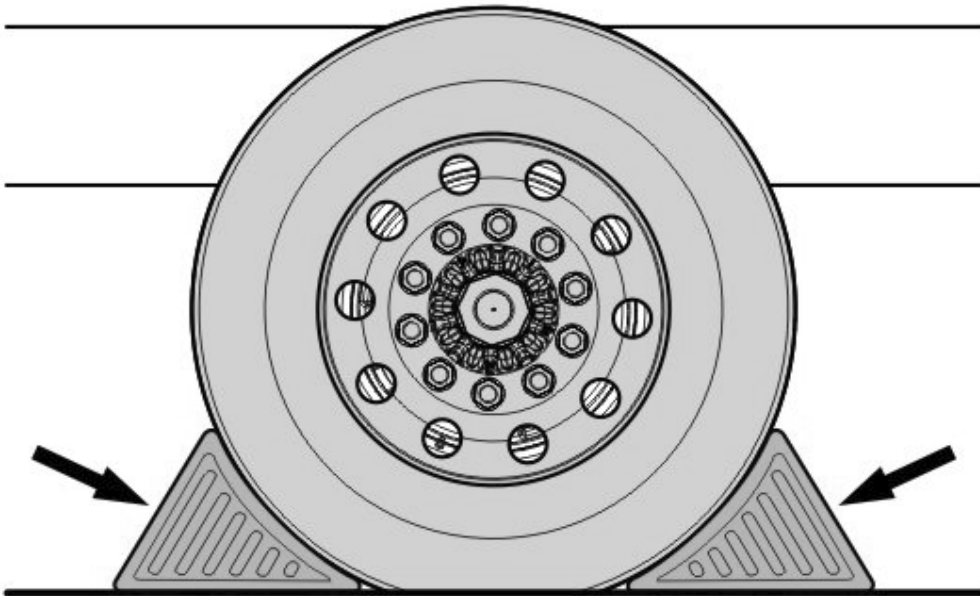
Some trucks may display an ACC Sensor Fault (warning/pop-up) at key OFF. Additionally, this fault is linked to multiple counts of inactive fault code MID140 SID 216. This is due to a front radar software issue. To correct this issue, follow this software reprogramming procedure.

Decommissioning the Truck for Repair

You must read and understand the precautions and guidelines in Service Information, group 30, "General Safety Practices, Electrical" before performing this procedure. If you are not properly trained and certified in this procedure, ask your supervisor for training before you perform it.

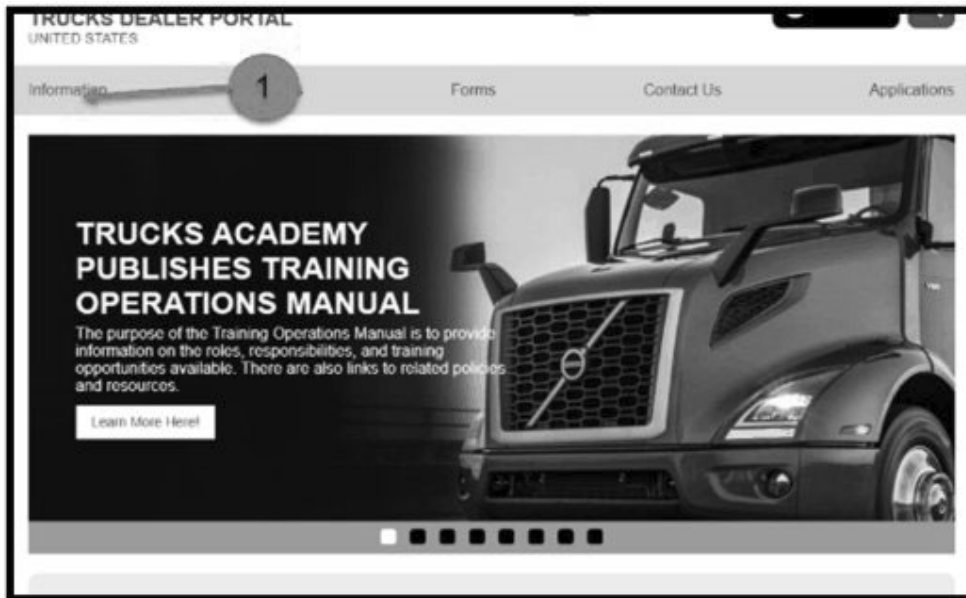
NOTE: Information is subject to change without notice. Illustrations are used for reference only and can differ slightly from the actual vehicle being serviced. However, key components addressed in this information are represented as accurately as possible.

- . Park the vehicle on a flat and level surface.
- . Apply the parking brake.
- . Place the transmission in neutral or park.
- . Install the wheel chocks.



Front Radar, Reprogramming Procedure

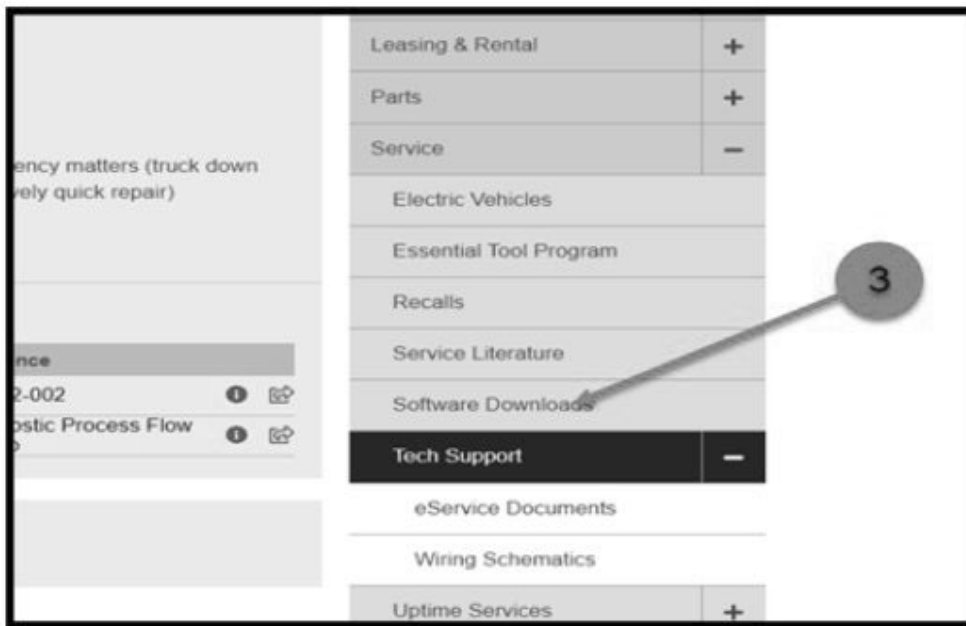
- . Download the front antenna software/ programming program:
 - a. Go to Trucks Dealer Portal (TDP) at: <https://www.trucksdealerportal.com>.
 - b. Click on **(Service)** at the top.



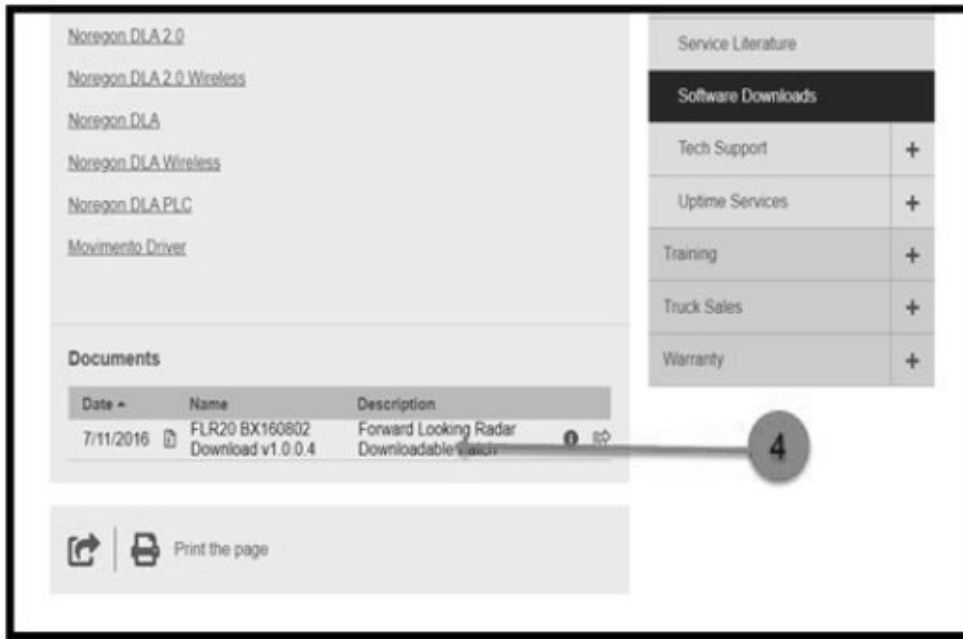
- . Click on **(Tech Support)** on the left.



. Click on **(Software Downloads)** on the right.

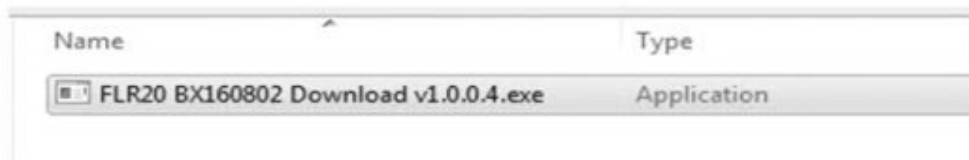


. Locate the file named **FLR20 BX160802 Download v1.0.0.4.zip** and download it to your computer.



- . Locate the file just downloaded from TDP on your computer and open it.
- . Inside the "Zip" file you should see the following file shown below. Double click on this to run the application.

Note: If you see a security warning, just click "Run"



- . The following prompt below will display, Click **(OK)**.



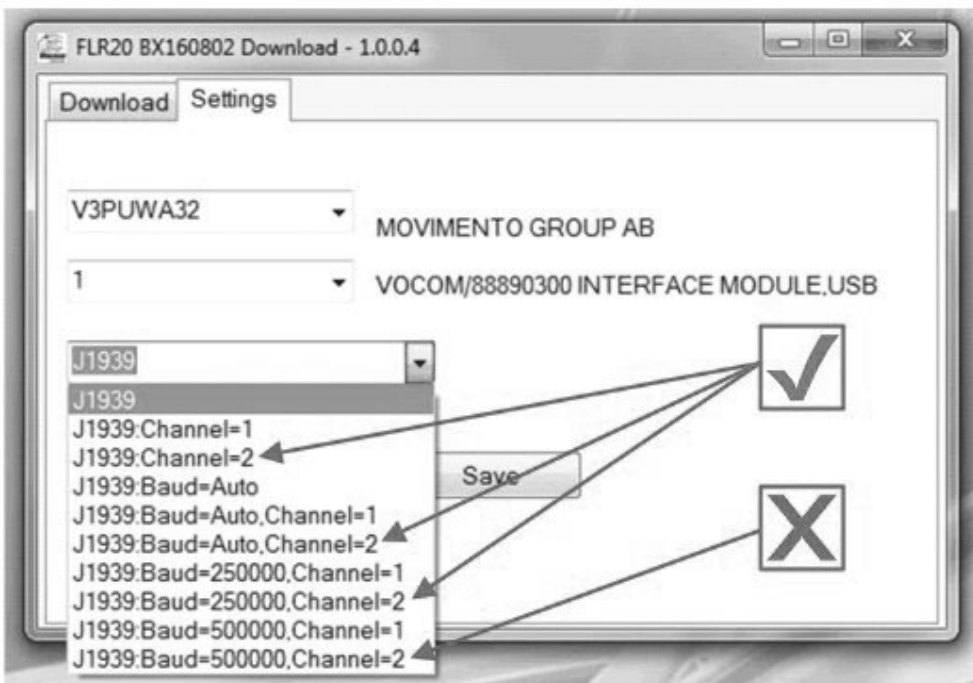
- . After clicking on **(OK)** in step 7, click on the **(Settings)** tab shown below.



. Choose the following settings for the Vocom PN 88890300; then click on **(Save)**.

Note: The "Saved Device" at the bottom of the screen will change.

Settings for Vocom PN 8890300	
i	V3PUWA32
ii	1
iii	J1939:Baud=Auto,Channel=2
<i>Note: All the "Channel=2" choices work EXCEPT the last one.</i>	



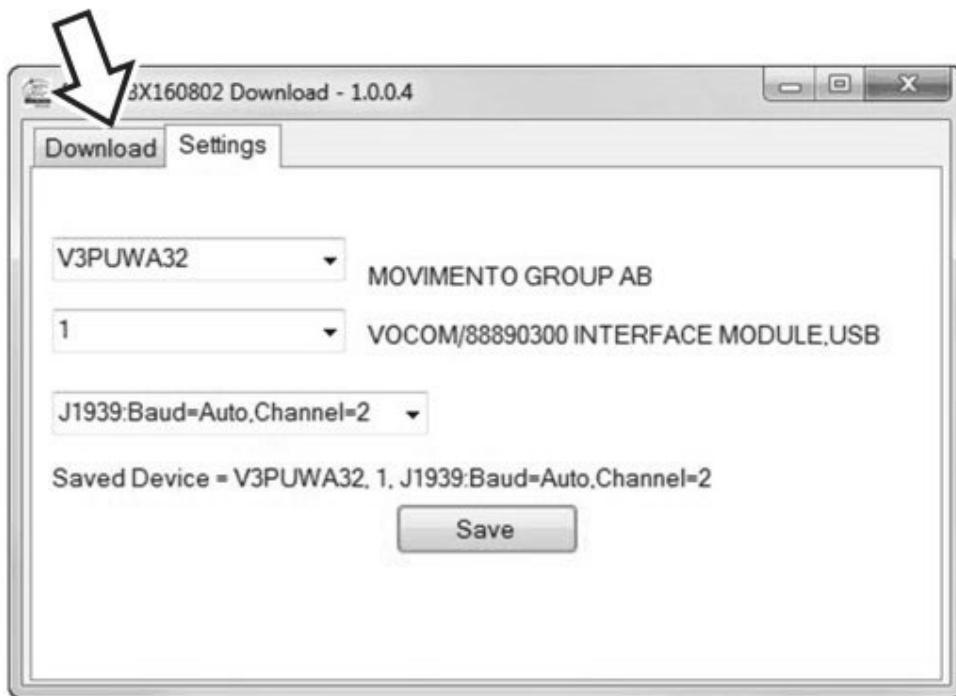
. All other choices will cause the following error message below to display.

Copyright to this documentation belongs to the Volvo Group. No reproduction, copying, change, amendment or other similar disposal is entitled without prior written consent by the Volvo Group

The information contained herein is current at the time of its original distribution, but is subject to change. The reader is advised that printed copies are uncontrolled.



- . Click on the **(Download)** tab.



- . Click on **(Begin)** , the program will run on its own.

Note: The Status bar at bottom will fill from left to right.



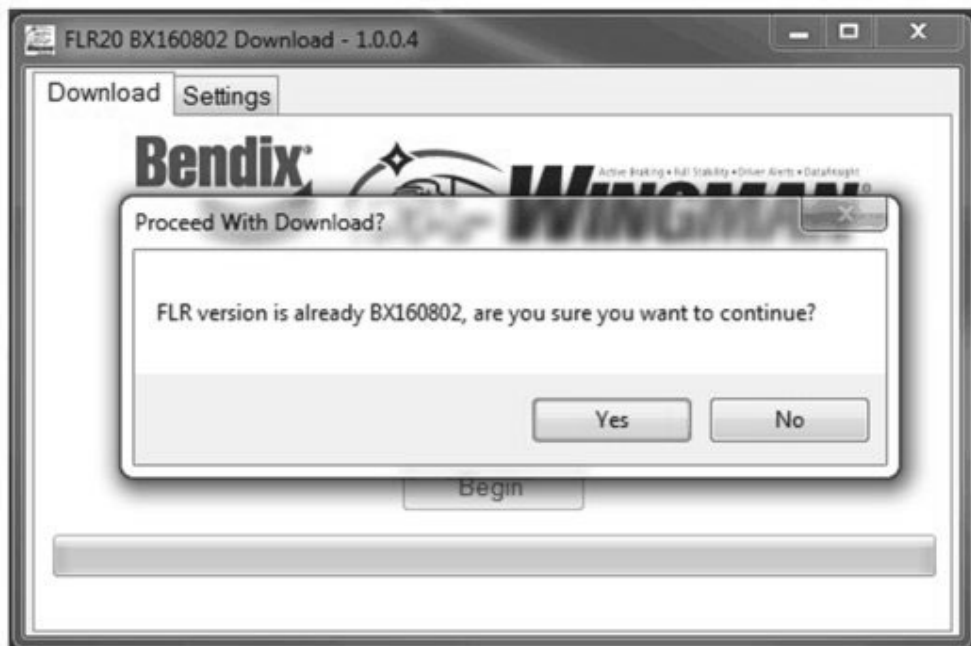
. After programming you should see the following prompt displayed below.

Note: When the programming is complete, the program can be closed now.



If this reprogramming is completed on a truck that has already been programmed, the following prompt below will display. Select **(No)**, and close the program.

Note: No further action needed.

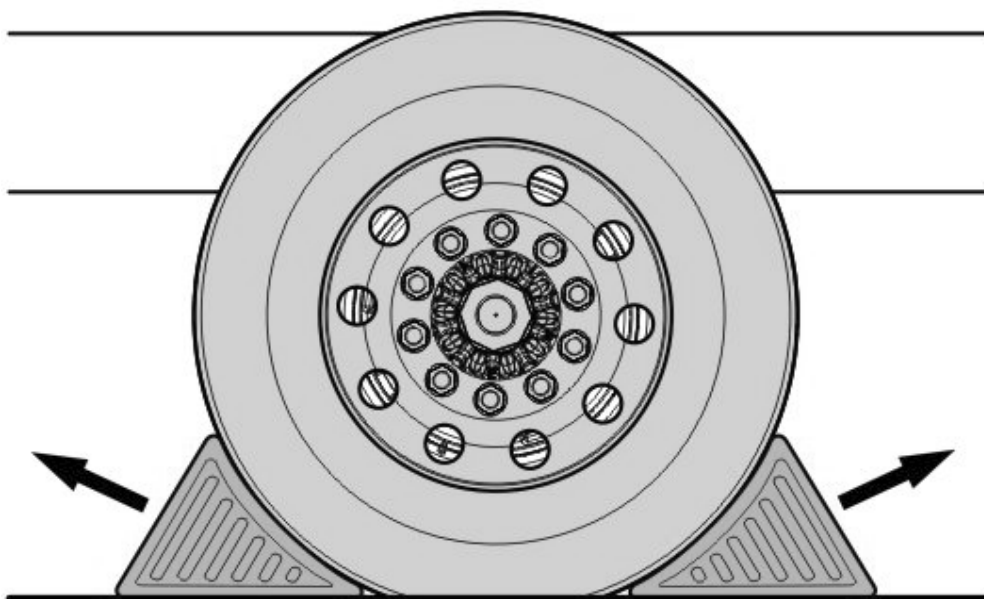


If this reprogramming is completed on a truck built with the incorrect front radar, the following error message below will display.



Commissioning the Truck for Operation

- Remove the wheel chocks.



- Check the operation of the **(Adaptive Cruise Control)**.
- Test drive the truck and check the operation of the adaptive cruise control.

Note: This is a separate operation.

Warranty information

Reimbursement

<p>This repair may be eligible for reimbursement if a product failure was experienced within time and mileage limits of the applicable</p>	<p>UCHP Reimbursement</p>
---	----------------------------------

Copyright to this documentation belongs to the Volvo Group. No reproduction, copying, change, amendment or other similar disposal is entitled without prior written consent by the Volvo Group

The information contained herein is current at the time of its original distribution, but is subject to change. The reader is advised that printed copies are uncontrolled.

Warranty coverage. Reimbursement is obtained via the normal claim handling process.	
Claim Type (used only when uploading from the Dealer Bus. Sys.)	W
Labor Code	
Primary Labor Code (Front Radar, Reprogramming)	3665-22-09-03 0.3 hrs
Causal Part	22126117

Issued by

Technical Service

VOLVO Trucks North America reserves the right to make any changes in design or to make additions to or upon its products without incurring any obligations to install the same on vehicles previously built.