

Volvo Active Driver Assist (VADA), Front Radar Fulfillment

Service Category Service Department

Section 366

Technician Skill Level C

Market US, Canada

Applicability

VOLVO

Years	Models
2022 - 2023	VAH, VHD, VN,

Introduction

This Service Campaign is the solution for vehicles affected by the shortage of the Volvo Active Driver Assist (VADA) front radar sensors. As forward looking radars are secured by Volvo, we are adding affected vehicles to this service campaign on a monthly basis in the order they were built. It is imperative that you ensure the vehicle you are repairing is on the campaign before performing this repair.

This Service Campaign requires the installation and alignment of the forward looking radar, removal of the information label from the windshield, and clearing of any system faults.

Production Change Information

This bulletin applies to vehicles built within the specified production changes below.

Brand	Engine	Emission Level	Starting Build Date	Ending Build Date
Volvo	CU15, CU12, CU9, D11, D13	USA17, USA21	01- June-2021	TBD

Warranty Information

This repair is covered by an authorized Service Program. Reimbursement is obtained through the normal claim handling process.			B
Main Labor Code	Description	Hours	
3665-02-02-01	Radar, Adaptive Cruise Control (ACC), Install	0.3	
3665-07-02-02	Forward Looking Radar, Calibration	0.3	
Causal Part	23792796		
SCC Authorization Code	S7642		
Expiration Date	December 31, 2023		

Volvo Active Driver Assist (VADA), Front Radar Fulfillment

Parts Information

Ordering Process: An email is required to order the front radar. Email SCcampaign@volvo.com and include the following in the body of the email:

- VIN of vehicle being repaired
- Dealer ID number
- Part Numbers
- Campaign Number
- PO number

A response will be provided within 24 hrs. during normal business.

PARTS NOTE
Only the Forward Looking Radar must be ordered through the email. All other parts (mounting hardware) should be ordered from the PDC using the normal ordering process.

Part Numbers	Chassis	Part Names	Quantity
23792796	VN, VHD, VAH	Sensor (Forward Looking Radar)	1
60112097	VN	six-point socket screw	4
20700116	VN	spacer	4
990949	VN	flange lock nut; black	4
994447	VHD, VAH	flange screw	4
994833	VHD, VAH	spacer	4

Required Tools & Equipment

- Bendix Tools:
 - K065284 – Alignment Tool
 - K096579 - Alignment Tool
 - K073087 – Steel Clip

Volvo Active Driver Assist (VADA), Front Radar Fulfillment

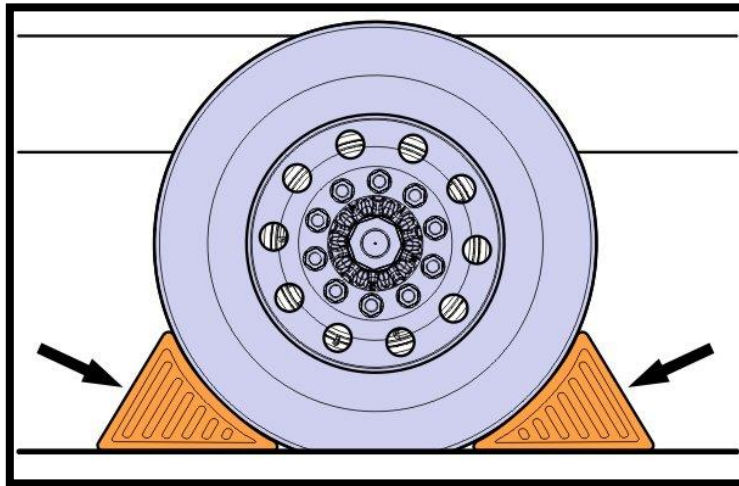
- Digital Inclinator

Calibration Information

- N/A

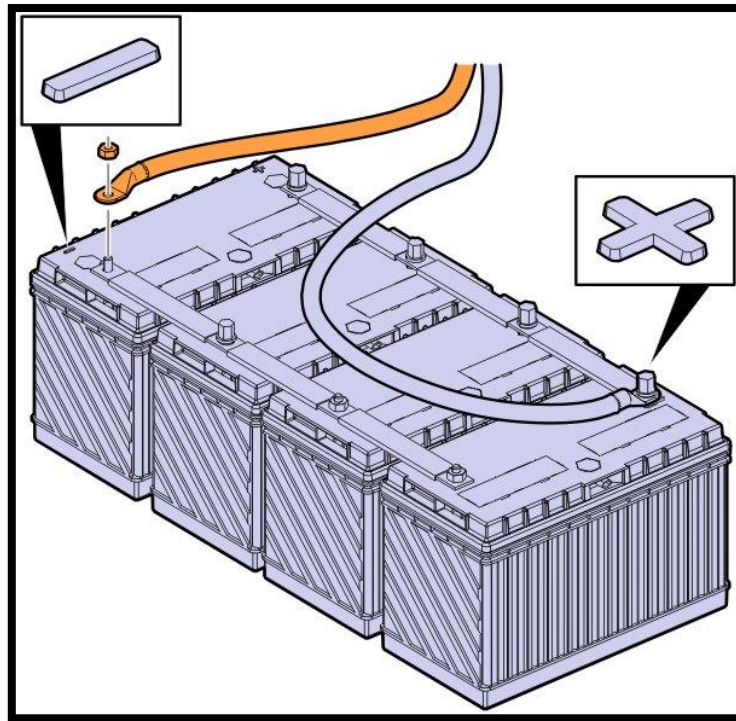
Repair Procedure

1. Park the vehicle on a level surface.
2. Apply the parking brake.
3. Place the gear lever in neutral.
4. Install the wheel chocks.

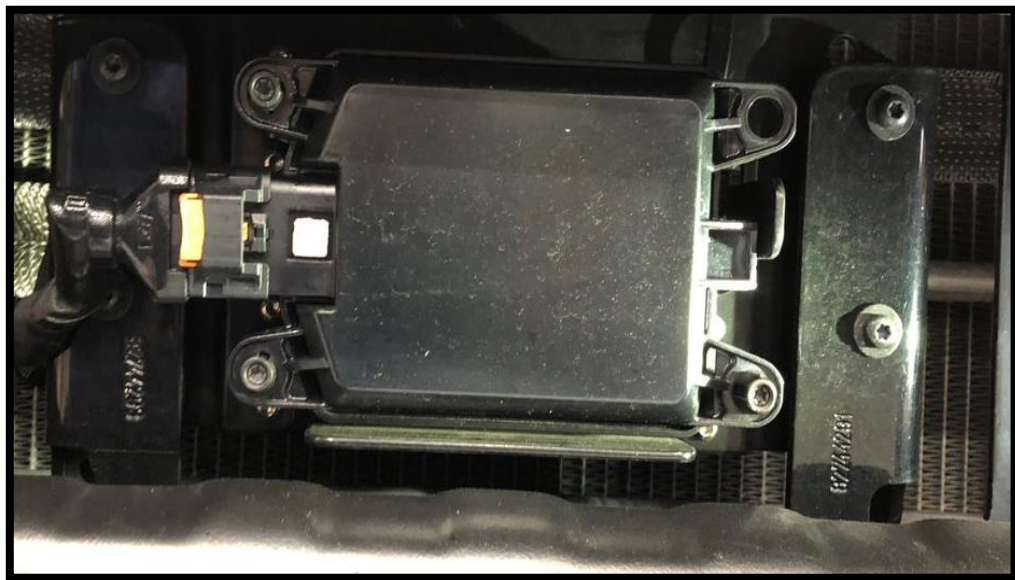


5. Disconnect the cable from the negative terminal.

Volvo Active Driver Assist (VADA), Front Radar Fulfillment



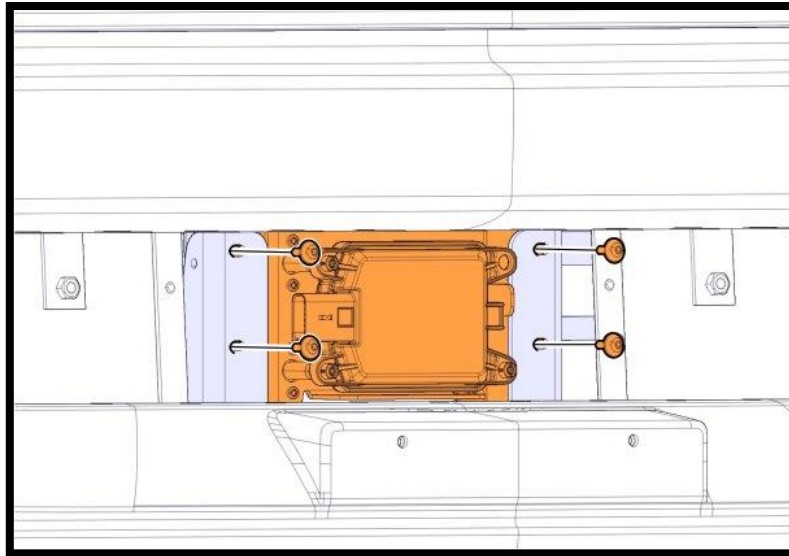
6. Install new radar and secure with new mounting hardware (flange screws, spacers, and nuts)



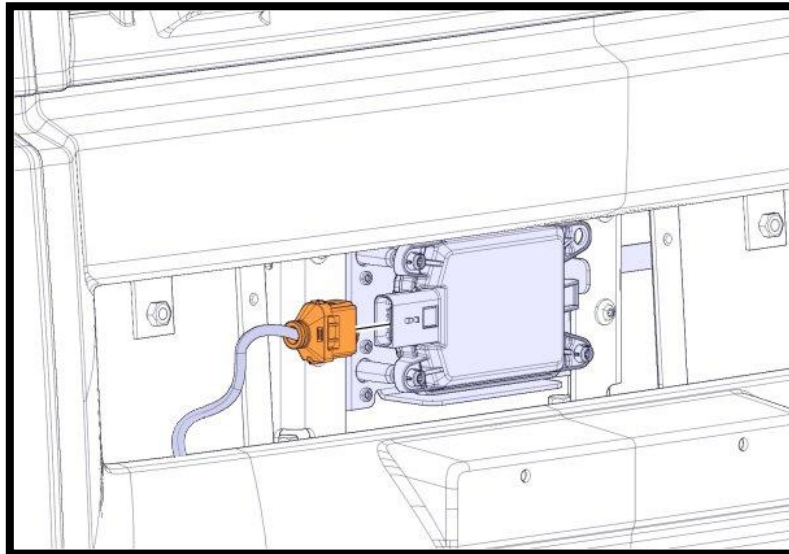
NOTE

The spacers go between the mounting bracket and the radar bracket.

Volvo Active Driver Assist (VADA), Front Radar Fulfillment

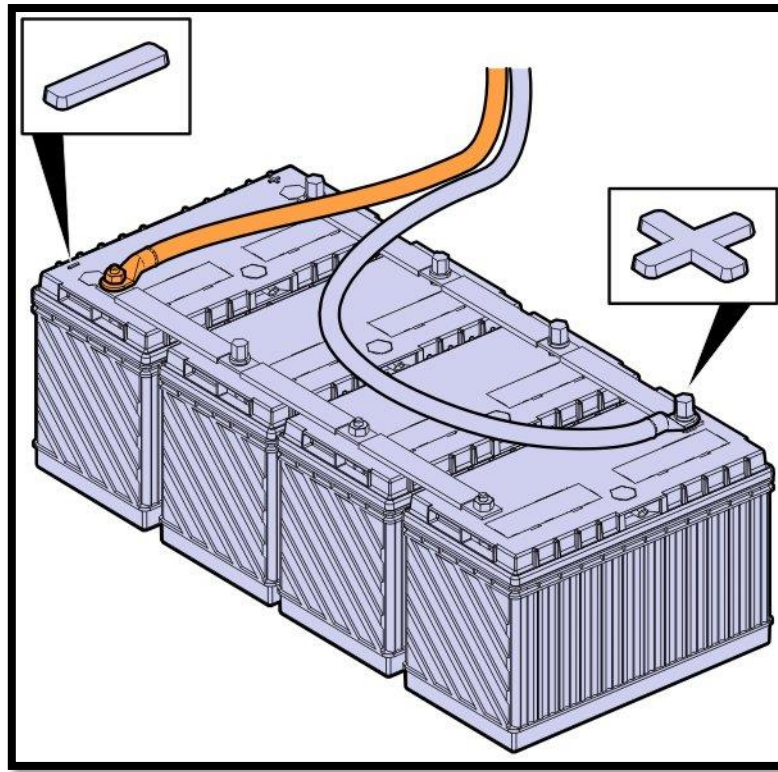


7. Remove electrical protective cap from radar wiring harness.

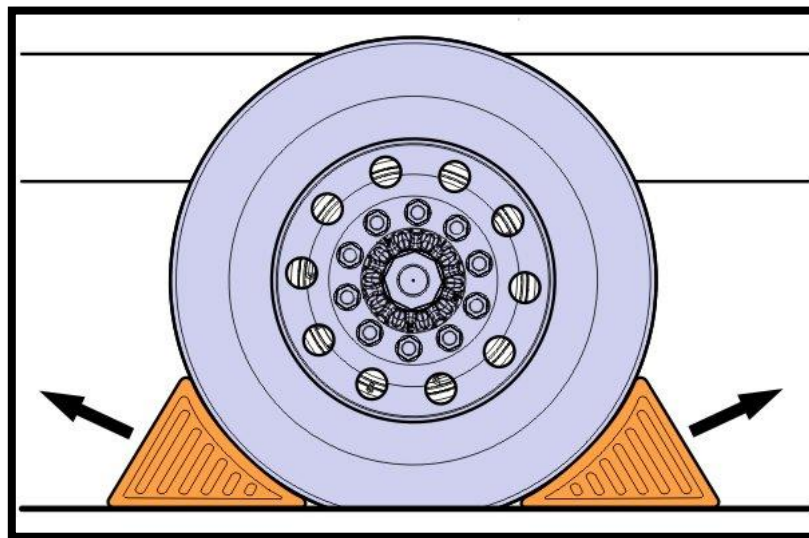


8. Connect the connector.
9. Align the forward looking radar in accordance with, ***Forward Looking Radar, Vendor Information*** in Impact, under function group 366, Identity 164557390.
10. Connect the cable to the negative terminal.

Volvo Active Driver Assist (VADA), Front Radar Fulfillment



11. Remove the information label from the upper left corner of the windshield.
12. Clear all system faults.
13. Remove the wheel chocks.



14. Release the vehicle for service.