

**July 22, 2022**

Version 2

## MIL Comes On with DTC P2422

Supersedes 20-002, dated March 3, 2020, to revise the information highlighted in **yellow**.

### AFFECTED VEHICLES

Year	Model	Trim	VIN Range
2017–22	Ridgeline	ALL	ALL

### REVISION SUMMARY

- Under AFFECTED VEHICLES, the year was updated.
- Under PARTS INFORMATION – REPAIR PROCEDURE A and B, were updated.
- Under WARRANTY CLAIM INFORMATION, Repair Procedure B was updated.
- Under REPAIR PROCEDURE B, Step 1 and 2 was updated.

### SYMPTOM

The MIL is on with DTC P2422 (EVAP canister vent shut valve stuck closed malfunction).

### POSSIBLE CAUSES

Dirt may be clogging the EVAP canister vent tube.

### CORRECTIVE ACTION

Inspect the canister vent tube. If necessary, replace the canister assembly and install a new canister drain kit. This includes a canister filter box.

### PARTS INFORMATION - REPAIR PROCEDURE A (2017–22)

Part Name	Part Number	Quantity
Canister Drain Kit	06171-T6Z-305	1
Canister Set (2017–19)	17011-TZ5-A01	1
Canister Set (2020–22)	17011-TG7-A11	
Retainer	17711-SNA-A01	1

**CUSTOMER INFORMATION:** The information in this bulletin is intended for use only by skilled technicians who have the proper tools, equipment, and training to correctly and safely maintain your vehicle. These procedures should not be attempted by "do-it-yourselfers," and you should not assume this bulletin applies to your vehicle, or that your vehicle has the condition described. To determine whether this information applies, contact an authorized Honda automobile dealer.

**PARTS INFORMATION - REPAIR PROCEDURE B (2017–20)**

Part Name	Part Number	Quantity
Canister Drain Kit	06171-T6Z-305	1
Canister Set (2017-19)	17011-TZ5-A01	1
Canister Set (2020)	17011-TG7-A11	
Retainer	17711-SNA-A01	1
Rear Differential Bracket Flange Bolt (10 x 25 mm)	90167-SAA-010	4
Rear Differential Mount Flange Bolt (14 x 142 mm)	90198-SZW-000	1
Rear Differential Mount Flange Bolt (14 x 85 mm)	90160-TZ6-A00	1

NOTE: A canister filter box is included in the canister drain kit. Order a replacement canister filter box only when you need to replace it.

**PARTS INFORMATION - REPAIR PROCEDURE B (2021– 2022)**

Part Name	Part Number	Quantity
Canister Drain Kit	06171-T6Z-305	1
Canister Set	17011-TG7-A11	1
Retainer	17711-SNA-A01	1
Pre Chamber Gasket	18393-SDB-A00	1
Muffler Gasket	18303-SM4-020	2
Self-Lock Nut (10 mm)	90212-SA5-003	7
Rear Differential Bracket Flange Bolt (10 x 25 mm)	90167-SAA-010	4
Rear Differential Mount Flange Bolt (14 x 142 mm)	90198-SZW-000	1
Rear Differential Mount Flange Bolt (14 x 85 mm)	90160-TZ6-A00	1

**PARTS INFORMATION - REPAIR PROCEDURE C**

Part Name	Part Number	Quantity
Replacement Canister Filter Box	17315-TM8-L01	1

## WARRANTY CLAIM INFORMATION

The normal warranty applies.

Operation Number	Description	Flat Rate Time	Defect Code	Symptom Code	Template ID	Failed Part Number
1201Q6	Repair Procedure A - <b>2017-19 2WD</b> vehicles only. Inspect and replace the canister assembly, and install a new canister drain kit (includes canister filter box).	0.8 hr	03214	03217	A20002A	17011-TZ5-A01
1201Q6	Repair Procedure A - <b>2020-22 2WD</b> vehicles only. Inspect and replace the canister assembly, and install a new canister drain kit (includes canister filter box).	0.8 hr	03214	03217	A20002B	17011-TZ5-A01
1201Q7	Repair Procedure B - <b>2017-20 AWD</b> vehicles only. Lower the rear differential and unhook the mid-pipe and muffler. Inspect and replace the canister assembly, and install a new canister drain kit (includes canister filter box).	1.1 hr	03214	03217	A20002C	17011-TZ5-A01
1201Q7	Repair Procedure B - <b>2021-22 AWD</b> vehicles only. Lower the rear differential and remove the mid-pipe and muffler. Inspect and replace the canister assembly, and install a new canister drain kit (includes canister filter box).	1.3 hr	03214	03217	A20002D	17011-TZ5-A01
1205A5	Repair Procedure C - Inspect and replace the canister filter box.	0.3 hr	03214	03217	A20002E	17011-TZ5-A01

Skill Level: Repair Technician

## INSPECTION

Disconnect the rubber drain tube from the EVAP canister. Check if there is any dust or dirt in the tube by visually inspecting and tapping/shaking it.

### IF NO CANISTER FILTER BOX IS INSTALLED



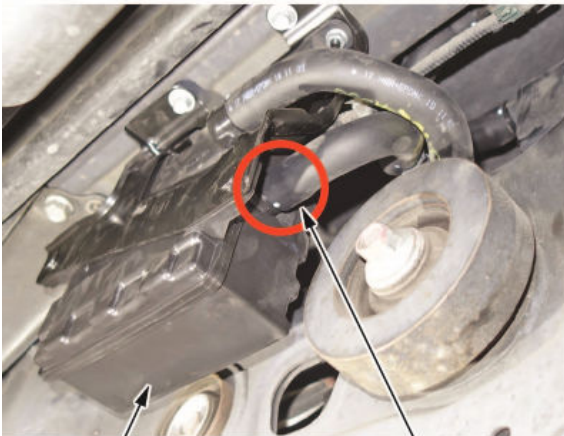
Disconnect the rubber drain tube. EVAP CANISTER



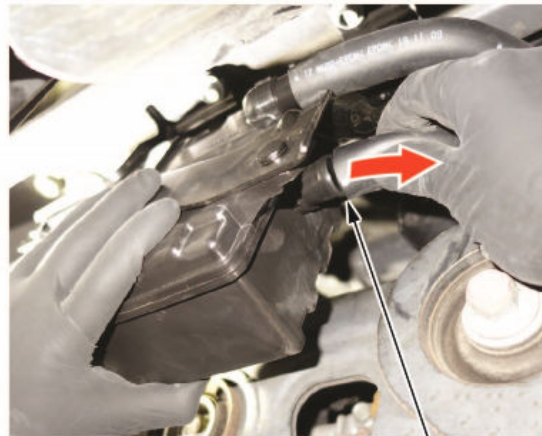
Inspect for dirt or dust.

- For 2WD vehicles, if the drain tube has any dust or dirt inside it, go to REPAIR PROCEDURE A.
- For AWD vehicles, if the drain tube has any dust or dirt inside it, go to REPAIR PROCEDURE B.

### IF CANISTER FILTER BOX IS INSTALLED



CANISTER FILTER BOX Disconnect this drain tube.

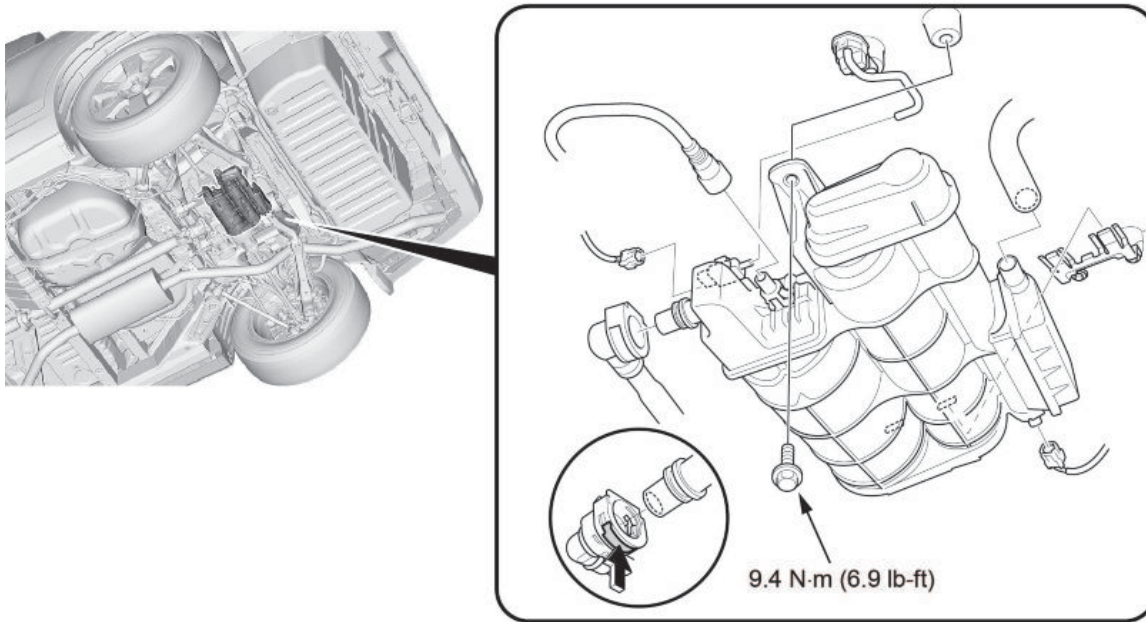


Inspect for dirt or dust.

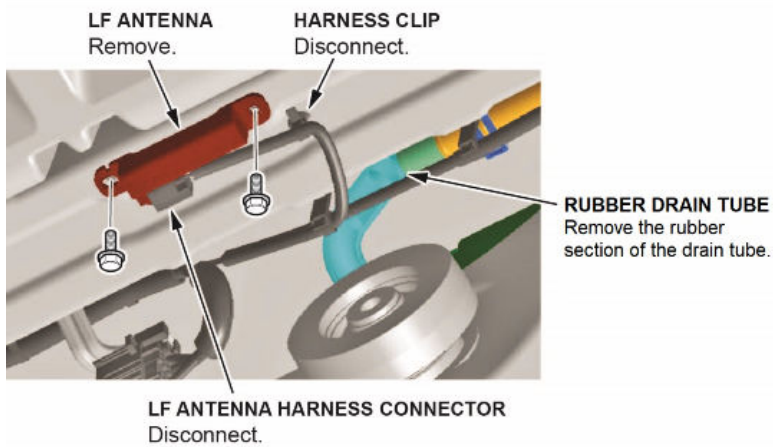
- For ALL vehicles, if the vehicle has a canister filter box installed and there is dust or dirt inside the drain tube, go to REPAIR PROCEDURE C.
- If there is no dust or dirt inside the drain tube, this bulletin does not apply. Continue with normal system troubleshooting.

## REPAIR PROCEDURE A

1. Disconnect the fuel line and all fuel vent tubes and hoses from the EVAP canister.



2. Remove and reuse the EVAP canister bolt on the driver's side, then slide the canister toward the driver's side to remove it from the vehicle.
3. Remove the rubber section of the drain tube. Do not reuse the rubber drain tube.

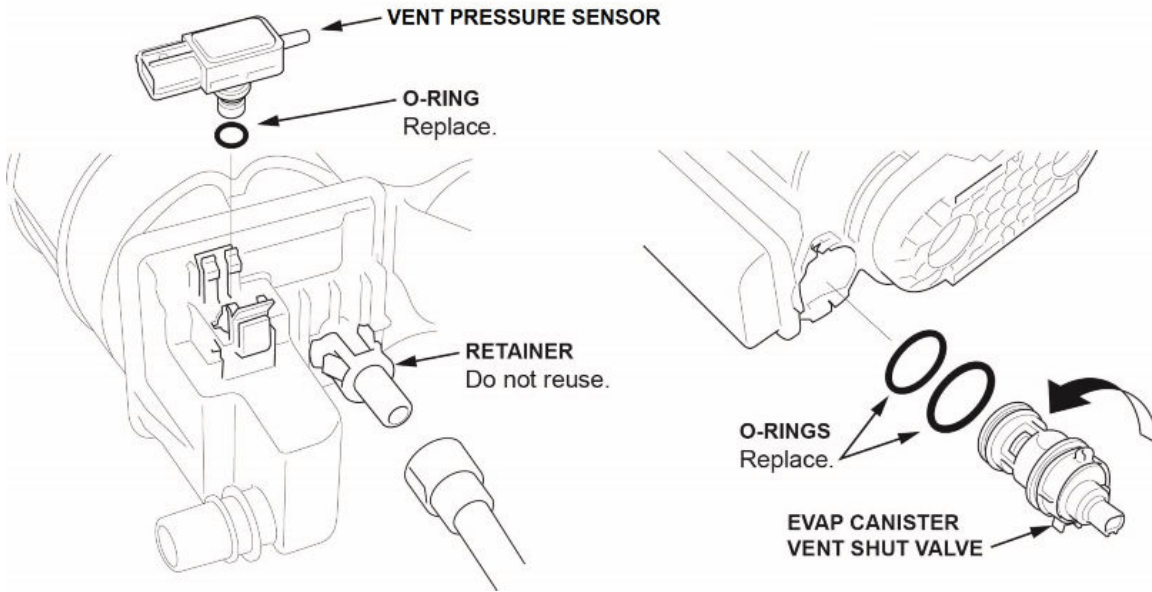


4. Disconnect the rear interior LF antenna harness connector and harness clip. Remove the LF antenna.

### NOTE:

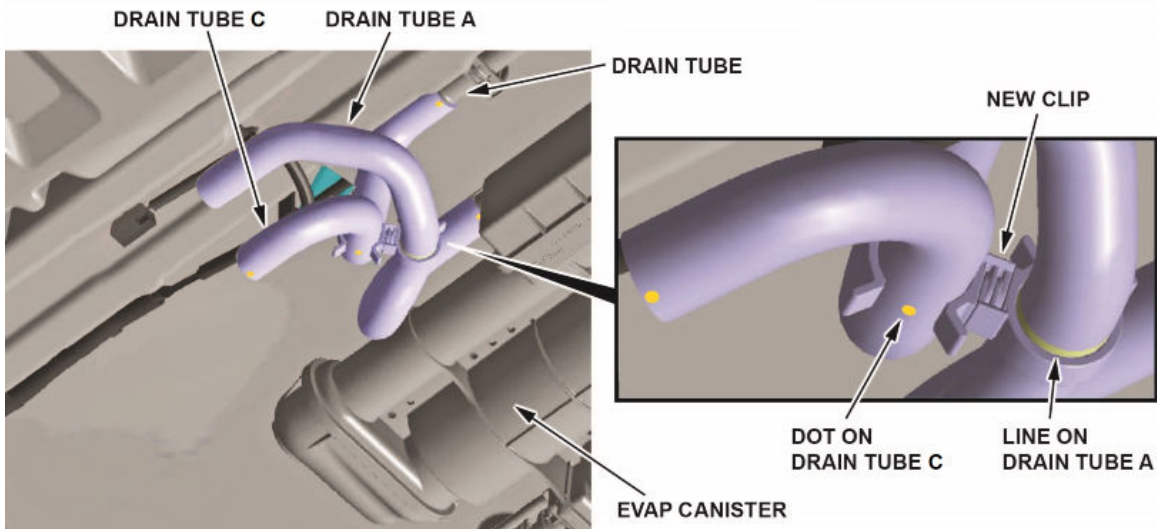
- Do not reuse the LF antenna bolts. New bolts are included in the canister drain kit.
- If the harness clip is damaged, replace it with the harness clip included in the canister drain kit.

5. Transfer the original EVAP canister vent shut valve and vent pressure sensor to the new EVAP canister.  
NOTE: Do not reuse the original O-rings and fuel line/quick disconnect retainer.

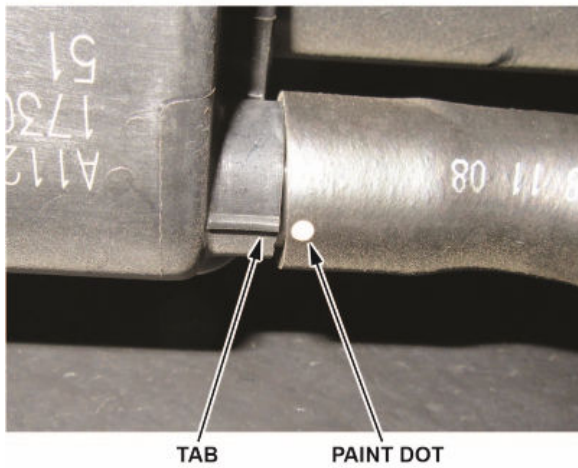


6. Install the new EVAP canister. Torque the bolt to **9.4 N•m (6.9 lb-ft)**.

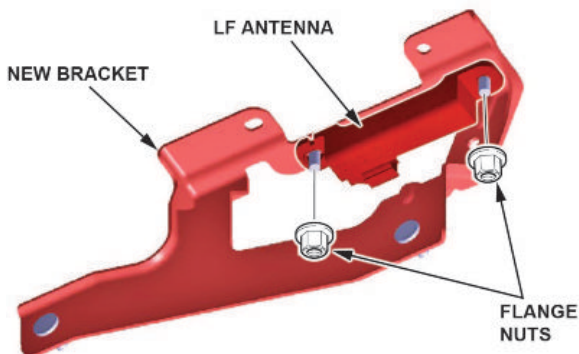
7. Install new rubber drain tube A (P/N 17743-T6Z-A30) to the EVAP canister.



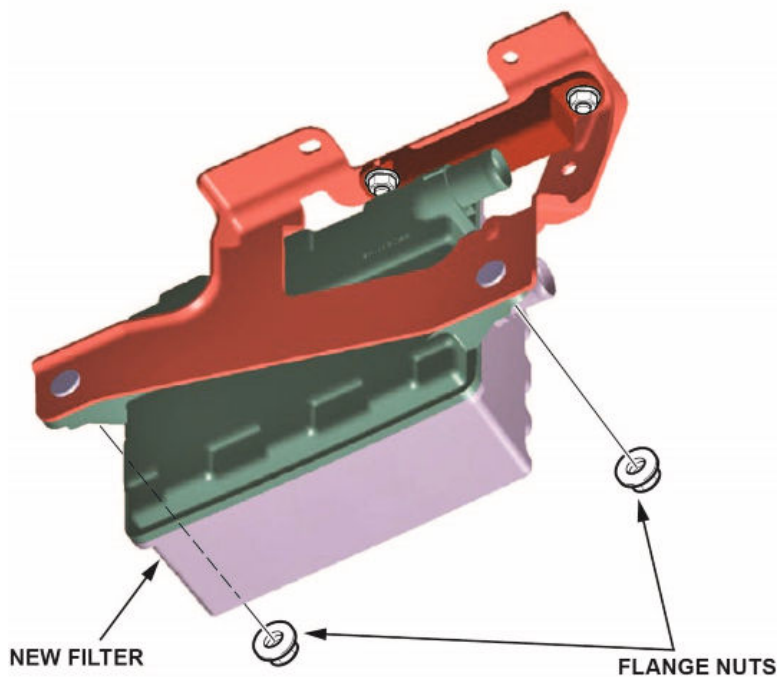
Make sure the paint dot is lined up with the tab on the canister.



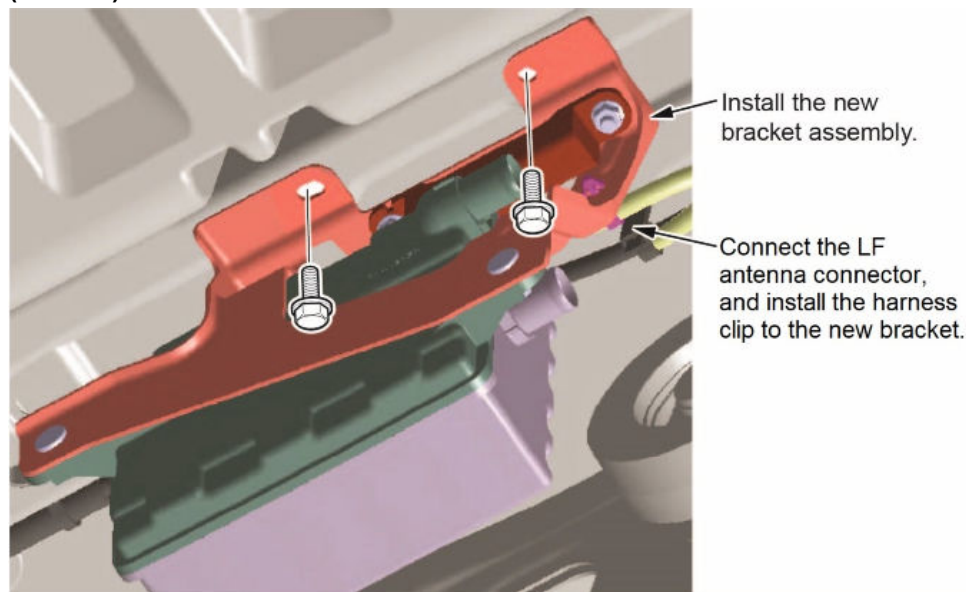
8. Install rubber drain tube C (P/N 17745-T6Z-A30) to the drain tube. Make sure the dot faces down.
9. Install the new drain tube clip as shown.
- NOTE: The paint dot on drain tube C should be visible and centered between the clip.
10. Install the rear interior LF antenna to the new bracket included in the canister drain kit. Use the two flange nuts included in the kit, and torque them to **9.4 N•m (6.9 lb-ft)**.



11. Install the new canister filter box to the bracket. Use the two flange nuts included in the kit, and torque them to **9.4 N•m (6.9 lb-ft)**.



12. Install the new bracket assembly to the vehicle. Use the two bolts included in the kit, and torque them to **9.4 N•m (6.9 lb-ft)**.

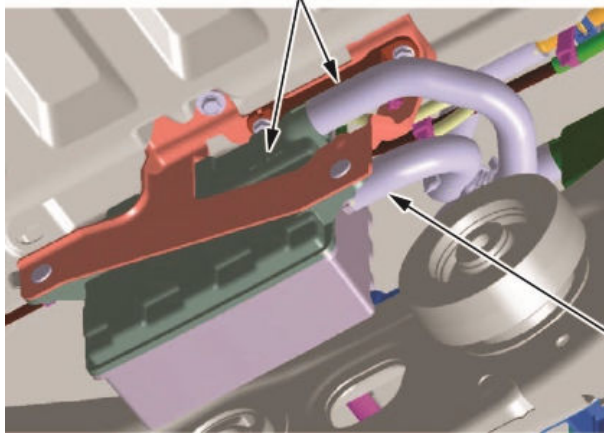


13. Connect the LF antenna connector, and install the LF antenna harness clip to the new bracket.



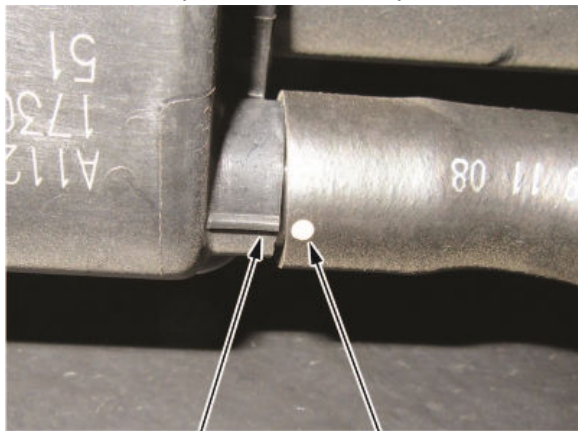
14. Connect rubber drain tube A to the port labeled **CANISTER** on the canister filter box.

Connect drain tube A to port labeled **CANISTER**.



Connect drain tube C to port labeled **AIR**.

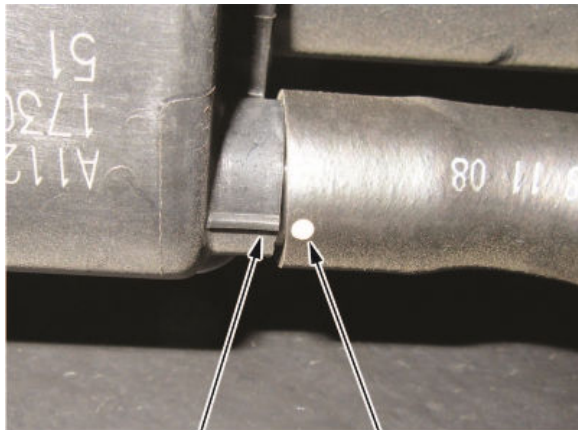
Make sure the paint dot is lined up with the tab on the canister filter box.



TAB

PAINT DOT

15. Connect rubber drain tube C to the port labeled **AIR** on the canister filter box. Make sure the paint dot is lined up with the tab on the canister filter box.



TAB

PAINT DOT

16. Connect the i-HDS to the vehicle. Clear any associated DTCs, then do the EVAP function test.

- If the EVAP function test passes, the repair is complete.
- If the EVAP function test fails, continue with normal system troubleshooting.

## REPAIR PROCEDURE B

1. **2017–20 Models:** Unhook the mid-pipe and muffler from its hangers, the suspension will support it.



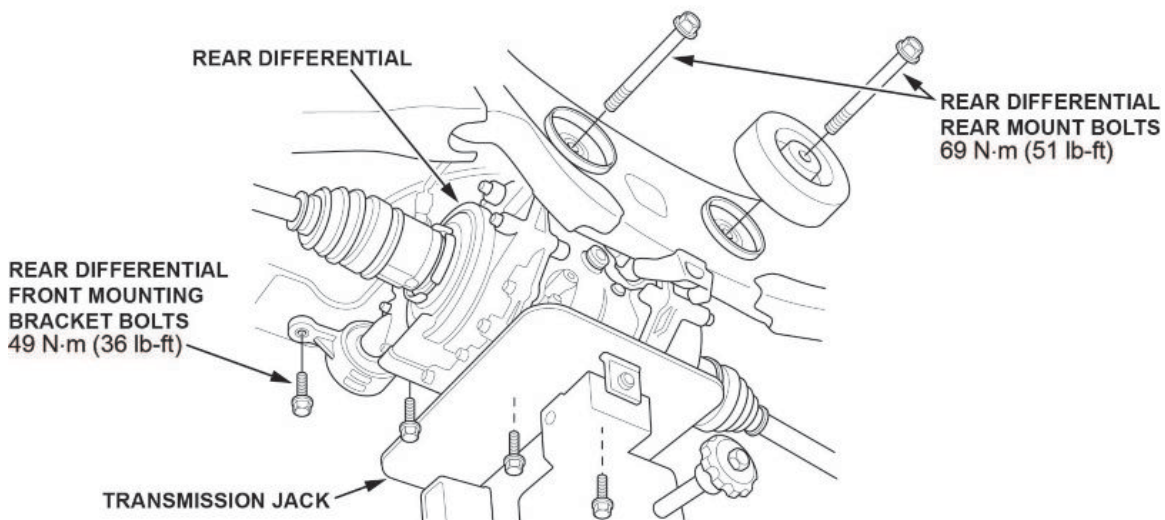
**2021–22 Models:** Remove the mid-pipe muffler.

NOTE: Do not reuse the exhaust nuts or gasket.



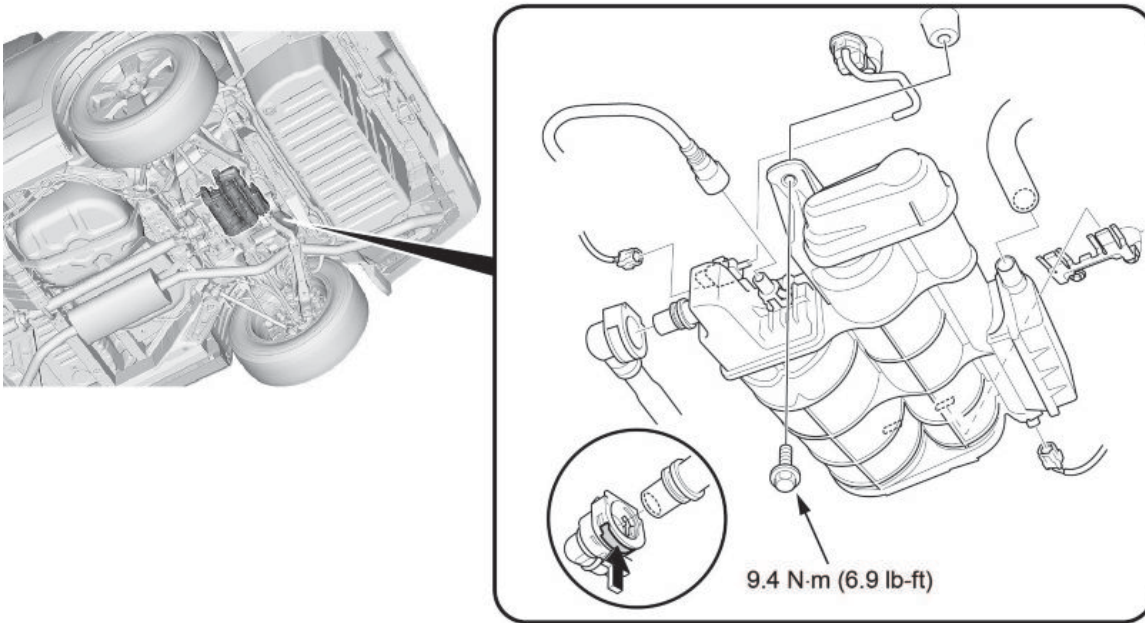
2. Support the rear differential with a transmission jack, and remove the four rear differential front mounting bracket bolts and the two rear differential rear mount bolts.

NOTE: Do not reuse the differential mounting bolts.

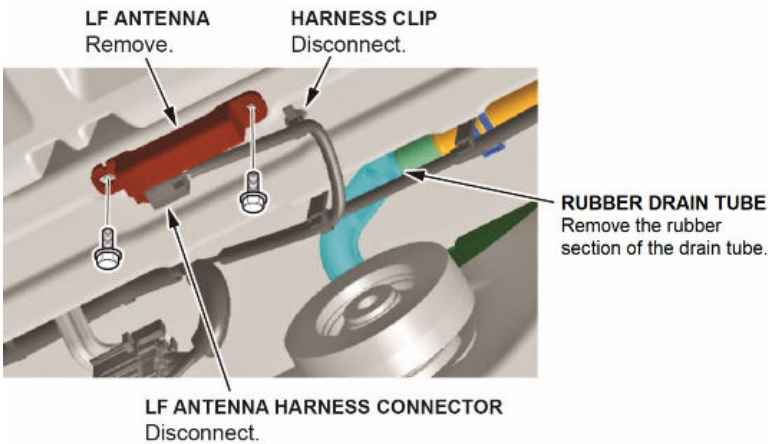


3. Lower the rear differential about 1.18 in (30 mm).

4. Disconnect the fuel line and all fuel vent tubes and hoses from the EVAP canister.



5. Remove and reuse the EVAP canister bolt on the driver's side, then slide the canister toward the driver's side to remove it from the vehicle.
6. Remove the rubber section of the drain tube. Do not reuse the rubber drain tube.

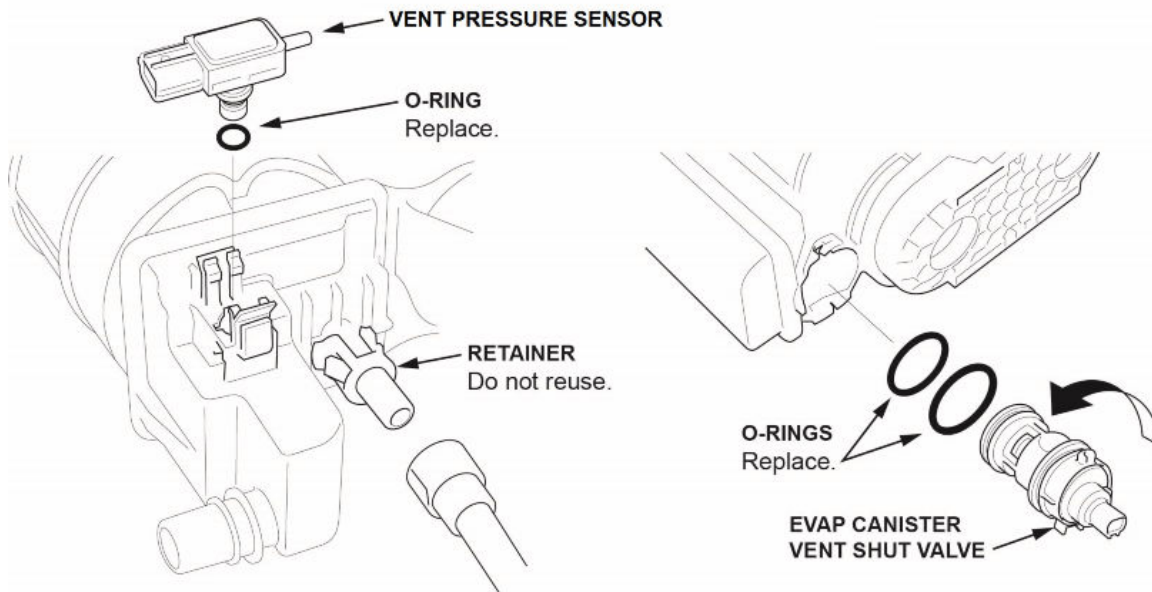


7. Disconnect the rear interior LF antenna harness connector and harness clip. Remove the LF antenna.

**NOTE:**

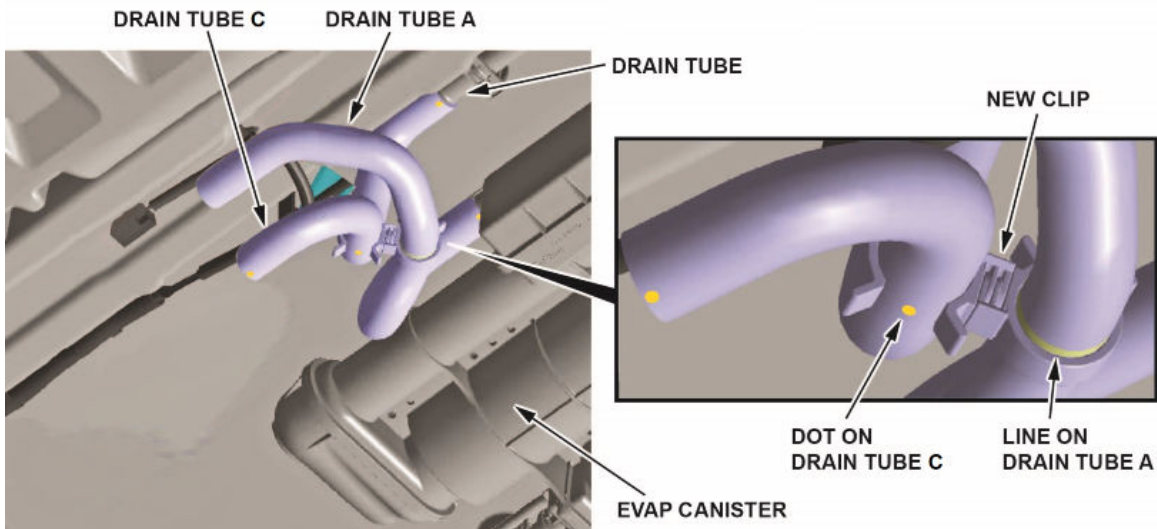
- Do not reuse the LF antenna bolts. New bolts are included in the canister drain kit.
- If the harness clip is damaged, replace it with the harness clip included in the canister drain kit.

8. Transfer the original EVAP canister vent shut valve and vent pressure sensor to the new EVAP canister.  
NOTE: Do not reuse the original O-rings and fuel line/quick disconnect retainer.

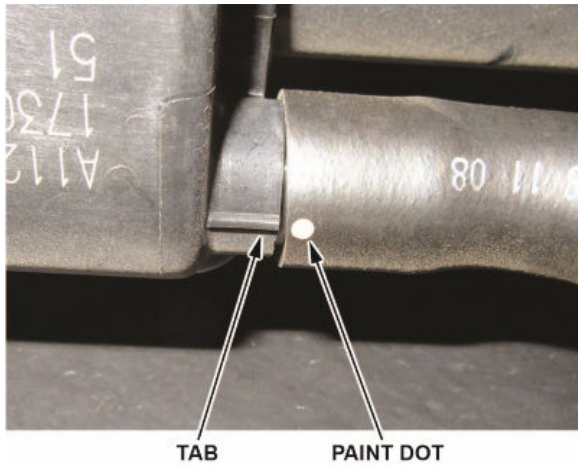


9. Install the new EVAP canister. Torque the bolt to **9.4 N•m (6.9 lb-ft)**.

10. Install new rubber drain tube A (P/N 17743-T6Z-A30) to the EVAP canister.



Make sure the paint dot is lined up with the tab on the canister.



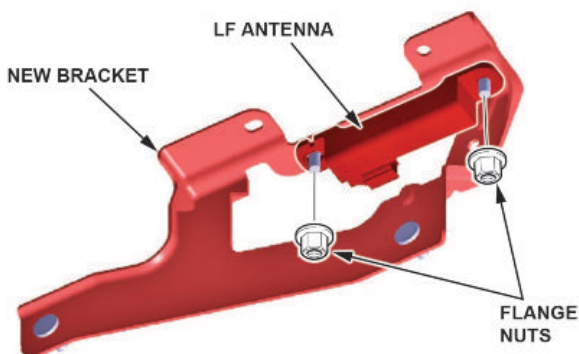
11. Install rubber drain tube C (P/N 17745-T6Z-A30) to the drain tube. Make sure the dot faces down.

12. Install the new drain tube clip as shown.

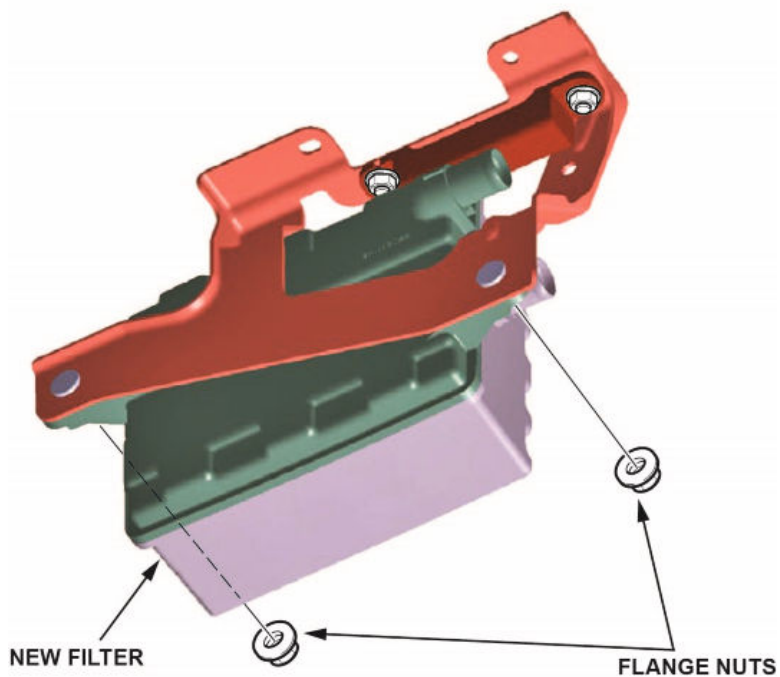
NOTE: The paint dot on drain tube C should be visible and centered between the clip.

13. Install the rear differential in the reverse order of removal. Torque the new front bracket bolts to 49 N•m (36 lb-ft). Torque the new rear mount bolts to 69 N•m (51 lb-ft).

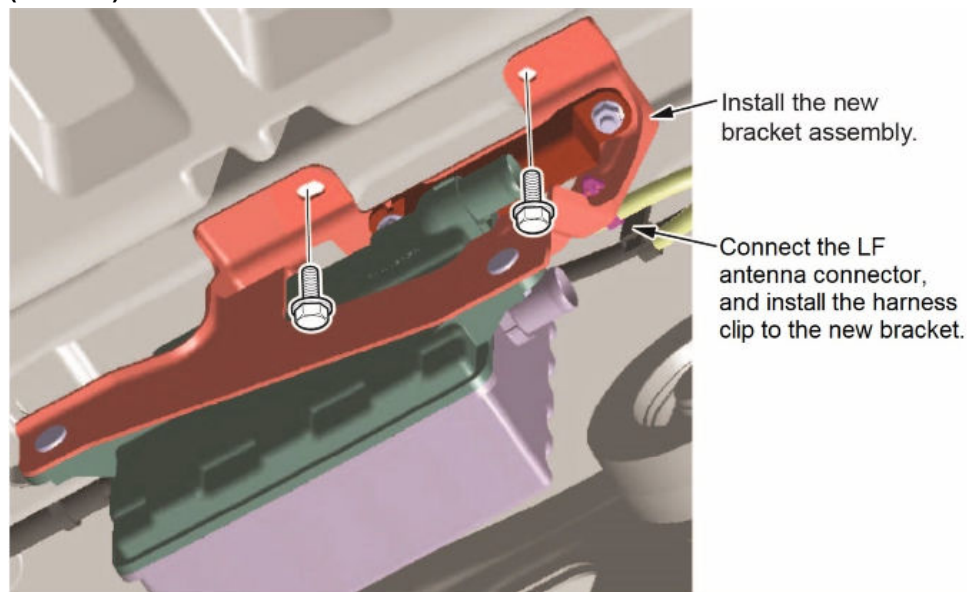
14. Install the rear interior LF antenna to the new bracket included in the canister drain kit. Use the two flange nuts included in the kit, and torque them to **9.4 N•m (6.9 lb-ft)**.



15. Install the new canister filter box to the bracket. Use the two flange nuts included in the kit, and torque them to **9.4 N•m (6.9 lb-ft)**.



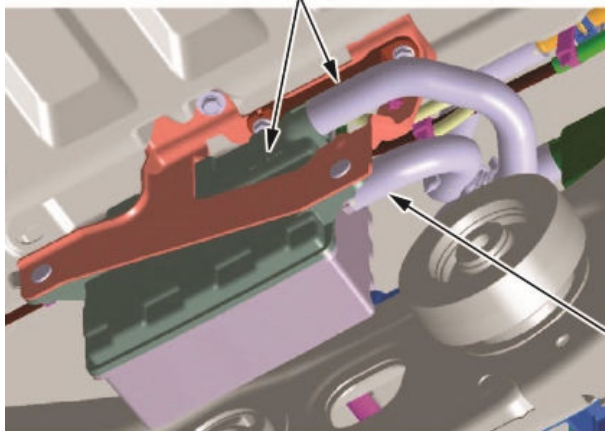
16. Install the new bracket assembly to the vehicle. Use the two bolts included in the kit, and torque them to **9.4 N•m (6.9 lb-ft)**.



17. Connect the LF antenna connector, and install the LF antenna harness clip on the bracket.

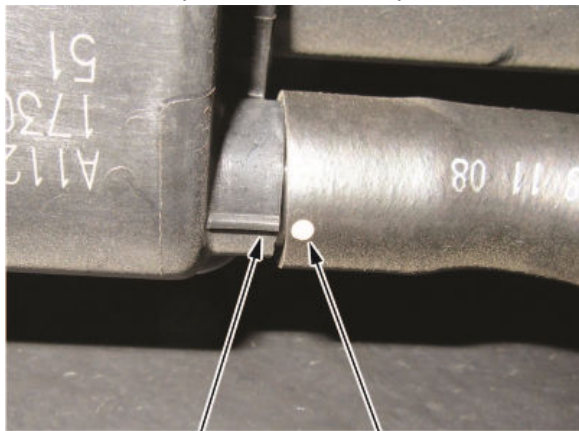
18. Connect rubber drain tube A to the port labeled **CANISTER** on the canister filter box.

Connect drain tube A to port labeled **CANISTER**.



Connect drain tube C to port labeled **AIR**.

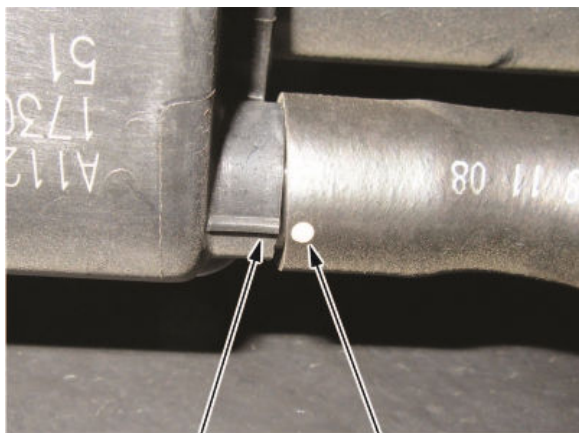
Make sure the paint dot is lined up with the tab on the canister filter box.



TAB

PAINT DOT

19. Connect rubber drain tube C to the port labeled **AIR** on the canister filter box. Make sure the paint dot is lined up with the tab on the canister filter box.



TAB

PAINT DOT

20. Install the exhaust pipe and muffler. Refer to the service information.

NOTE: Do not reuse the exhaust gasket and flange nuts.

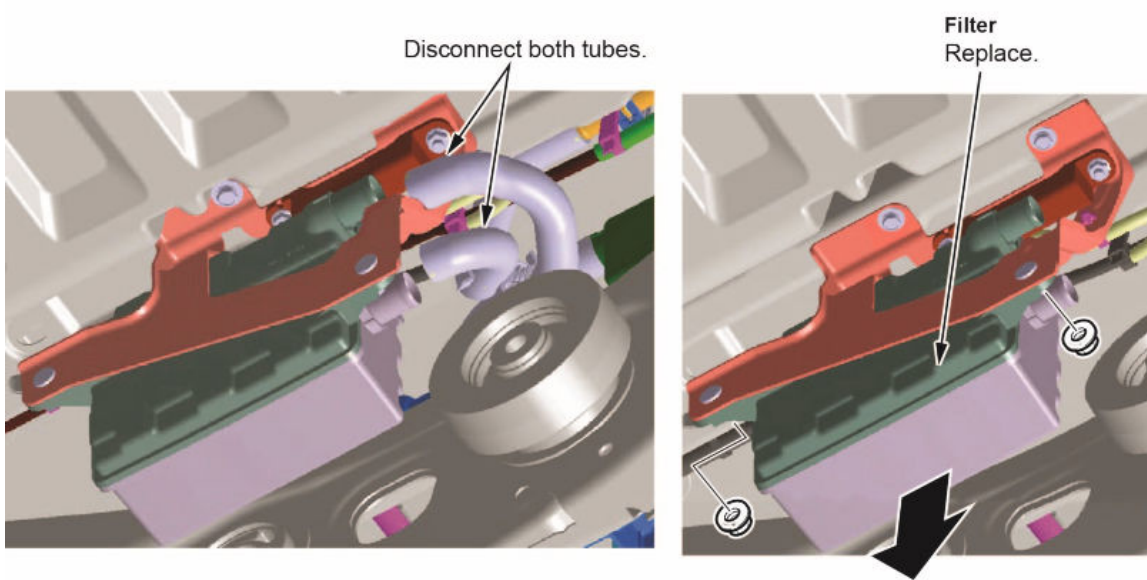
21. Connect the i-HDS to the vehicle. Clear any associated DTCs, then do the EVAP function test.

- If the EVAP function test passes, the repair is complete.
- If the EVAP function test fails, continue with normal system troubleshooting.

## REPAIR PROCEDURE C

### NOTE:

- Do this procedure only if the canister filter box has already been installed and needs to be replaced because of dust or dirt contamination.
  - If the dots are no longer visible on the rubber tubes, mark them with a paint dot to make sure they are installed correctly on the new canister filter box.
1. Disconnect the hoses from the canister filter box.

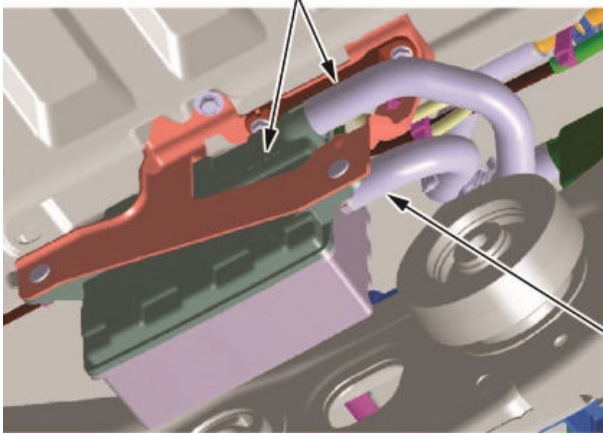


2. Remove and replace the canister filter box.



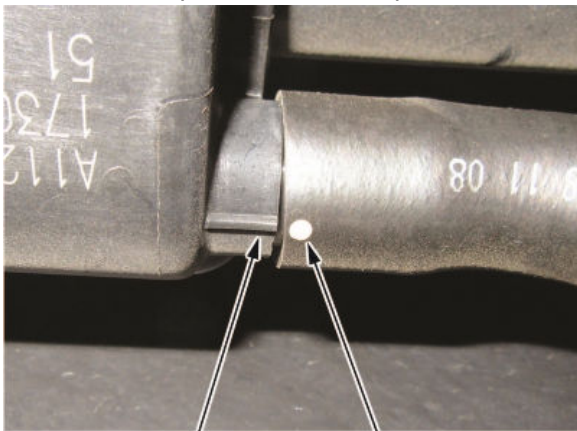
3. Connect rubber drain tube A to the port labeled **CANISTER** on the canister filter box.

Connect drain tube A to port labeled **CANISTER**.



Connect drain tube C to port labeled **AIR**.

Make sure the paint dot is lined up with the tab on the canister filter box.



TAB

PAINT DOT

4. Connect rubber drain tube C to the port labeled **AIR** on the canister filter box. Make sure the paint dot is lined up with the tab on the canister filter box.
5. Connect the i-HDS to the vehicle. Clear any associated DTCs, then do the EVAP function test.
  - If the EVAP function test passes, the repair is complete.
  - If the EVAP function test fails, continue with normal system troubleshooting.

END