

MODEL: Revero GT and GTS, and GS-6

TITLE: Torque Verification

Type: Campaign

Year: 2022

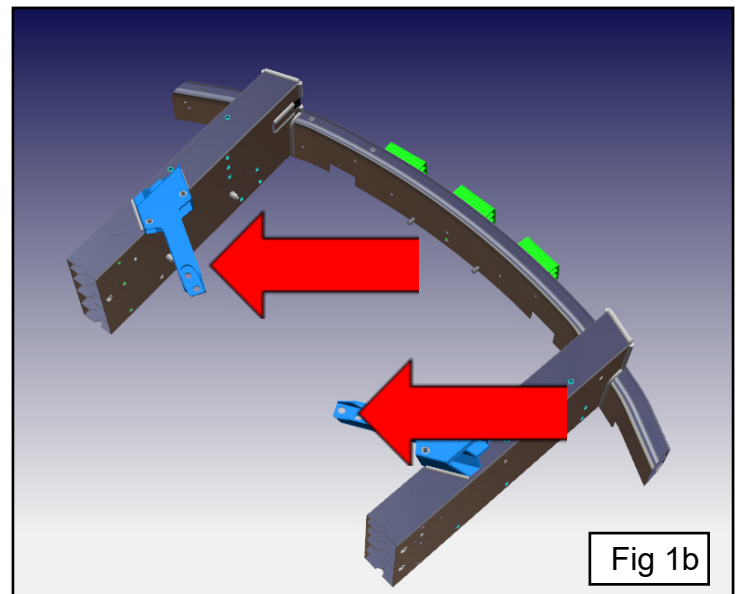
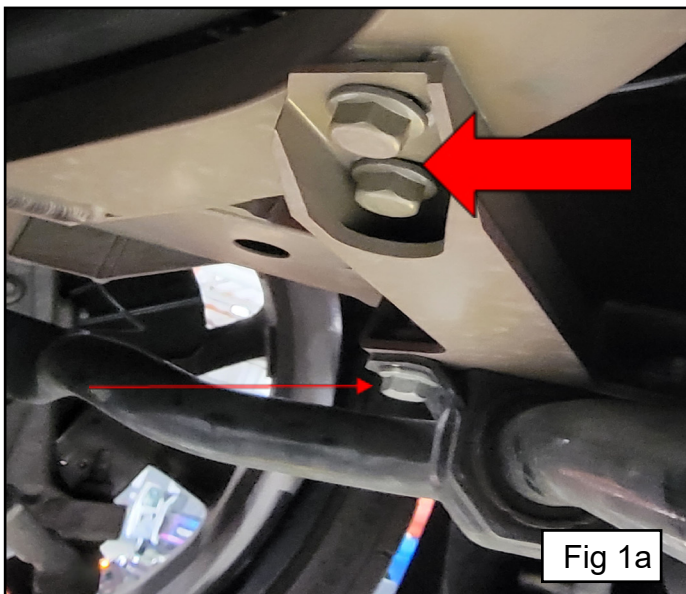
System: Chassis and Body Structure

Sequence: 02

PURPOSE: Some customers may hear a knocking noise coming from the front of the vehicle while turning at low speeds, such as performing driving maneuvers in a parking lot.

Inspection of the front structure mounting bolts by the sway bar is recommended first step to remedy. Verify the vehicle list on the following pages for to see if the vehicle is part of this inspection.

1. Place vehicle on a hoist and raise
2. Inspect the bolts as shown (4 per vehicle right side and left side) in Fig 1a and Fig 1b, below and see Fig. 2 on the next page
3. Inspect the 4 bolts for the stabilizer bar bracket (Fig 3 see following page)
3. Remove bolts apply red thread locker, refasten and torqued to specification (45 Nm +/- 5 Nm) for all bolts



Apply RED thread locker

Karma Automotive Bulletins and service documents are intended for use by experienced and trained Technicians. If you lack the skills, tools, equipment and a suitable workshop for any procedure described in this document, we suggest you leave such repairs to an Authorized Karma Service Provider or qualified service center. See your service provider for advice on whether your vehicle may benefit from the information contained within this document. The information contained in the Karma Bulletin is accurate at the date of publication. However, Karma Automotive regularly updates technical information. Please check with your Karma Automotive Service Provider that the bulletin you intend to use contains the latest available information.

MODEL: Revero GT and GTS, and GS-6

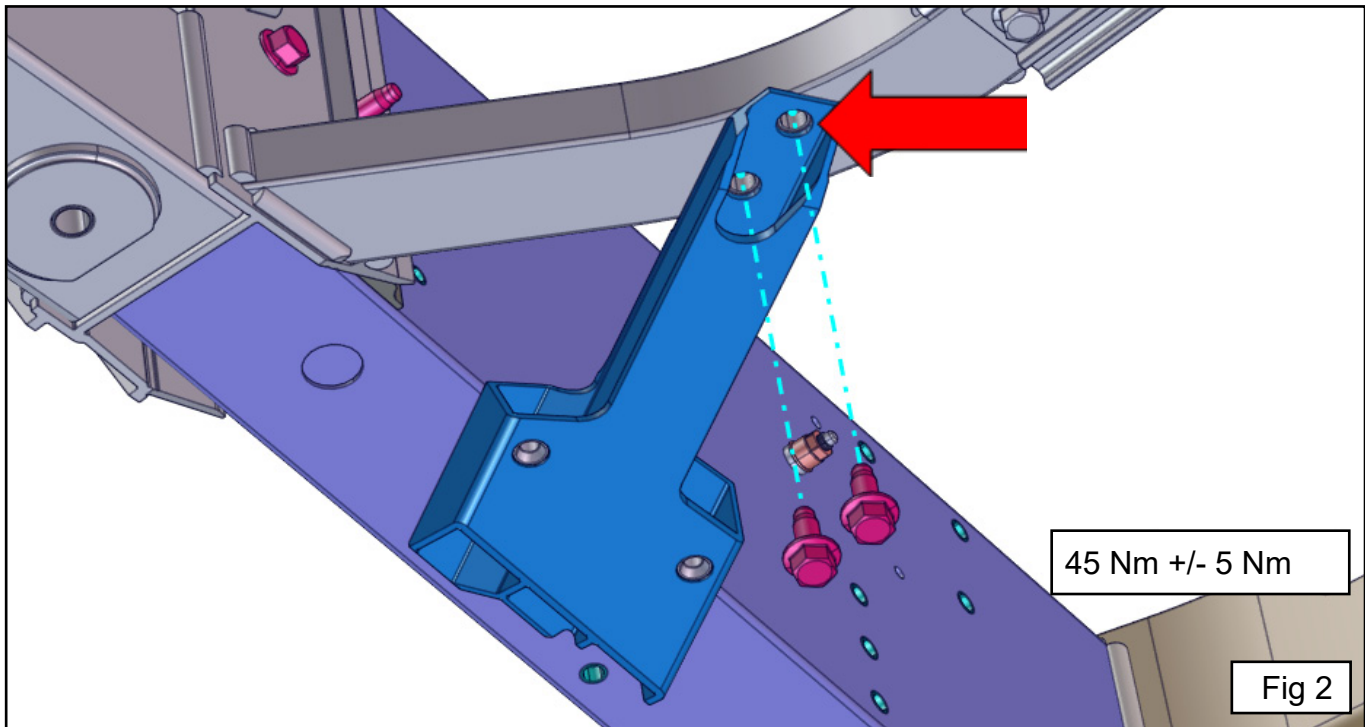
TITLE: Torque Verification

Type: Campaign

Year: 2022

System: Chassis and Body Structure

Sequence: 02



Removal and re-installation of components, should be performed with hand tools.

Any vehicle damage should be reported to TSS with images.
Instructions how to proceed will be provided.

MODEL: Revero GT and GTS, and GS-6

TITLE: Torque Verification

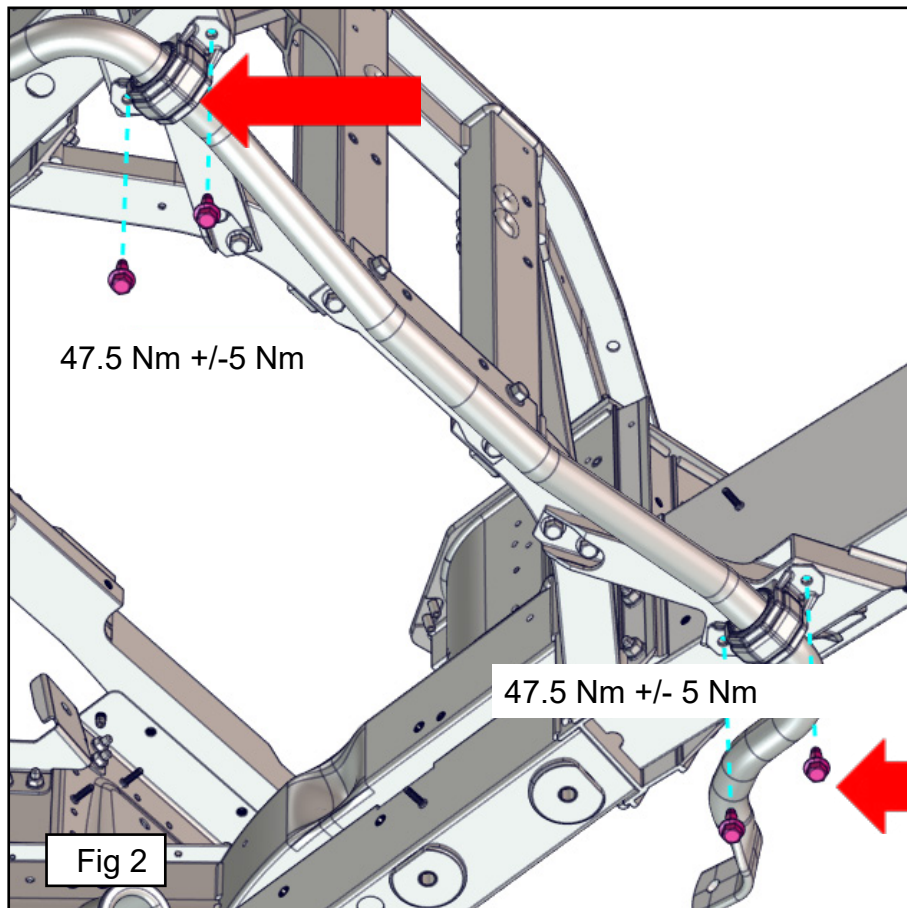
Type: Campaign

Year: 2022

System: Chassis and Body Structure

Sequence: 02

The indicated bolts fastening torque is 47.5Nm (+/-5 Nm) for all 4 bolts.
Apply BLUE thread locker on these bolts.



Apply Blue thread locker

Karma Automotive Bulletins and service documents are intended for use by experienced and trained Technicians. If you lack the skills, tools, equipment and a suitable workshop for any procedure described in this document, we suggest you leave such repairs to an Authorized Karma Service Provider or qualified service center. See your service provider for advice on whether your vehicle may benefit from the information contained within this document. The information contained in the Karma Bulletin is accurate at the date of publication. However, Karma Automotive regularly updates technical information. Please check with your Karma Automotive Service Provider that the bulletin you intend to use contains the latest available information.

K A R M A

50GK43SB4LA000002	50GK43SB7LA000057	50GK43SBXLA000098
50GK43SB3LA000010	50GK43SB9LA000058	50GK43SB1LA000099
50GK43SB2LA000015	50GK43SB0LA000059	50GK43SB4LA000100
50GK43SB6LA000017	50GK43SB7LA000060	50GK43SB6LA000101
50GK43SB8LA000018	50GK43SB9LA000061	50GK43SB8LA000102
50GK43SB8LA000021	50GK43SB0LA000062	50GK43SBXLA000103
50GK43SBXLA000022	50GK43SB2LA000063	50GK43SB1LA000104
50GK43SB1LA000023	50GK43SB4LA000064	50GK43SB3LA000105
50GK43SB3LA000024	50GK43SB6LA000065	50GK43SB5LA000106
50GK43SB5LA000025	50GK43SB8LA000066	50GK43SB7LA000107
50GK43SB7LA000026	50GK43SBXLA000067	50GK43SB9LA000108
50GK43SB9LA000027	50GK43SB1LA000068	50GK43SB0LA000109
50GK43SB0LA000028	50GK43SB3LA000069	50GK43SB7LA000110
50GK43SB2LA000029	50GK43SBXLA000070	50GK43SB9LA000111
50GK43SB9LA000030	50GK43SB1LA000071	50GK43SB0LA000112
50GK43SB0LA000031	50GK43SB3LA000072	50GK43SB2LA000113
50GK43SB2LA000032	50GK43SB5LA000073	50GK43SB4LA000114
50GK43SB4LA000033	50GK43SB7LA000074	50GK43SB6LA000115
50GK43SB6LA000034	50GK43SB9LA000075	50GK43SB8LA000116
50GK43SB8LA000035	50GK43SB0LA000076	50GK43SBXLA000117
50GK43SBXLA000036	50GK43SB2LA000077	50GK43SB1LA000118
50GK43SB1LA000037	50GK43SB4LA000078	50GK43SBXLA000120
50GK43SB3LA000038	50GK43SB6LA000079	50GK43SB1LA000121
50GK43SB5LA000039	50GK43SB2LA000080	50GK43SB3LA000122
50GK43SB1LA000040	50GK43SB4LA000081	50GK43SB5LA000123
50GK43SB3LA000041	50GK43SB6LA000082	50GK43SB7LA000124
50GK43SB5LA000042	50GK43SB8LA000083	50GK43SB9LA000125
50GK43SB7LA000043	50GK43SBXLA000084	50GK43SB0LA000126
50GK43SB9LA000044	50GK43SB1LA000085	50GK43SB2LA000127
50GK43SB0LA000045	50GK43SB3LA000086	50GK43SB4LA000128
50GK43SB2LA000046	50GK43SB5LA000087	50GK43SB6LA000129
50GK43SB4LA000047	50GK43SB7LA000088	50GK43SB2LA000130
50GK43SB6LA000048	50GK43SB9LA000089	50GK43SB4LA000131
50GK43SB8LA000049	50GK43SB5LA000090	50GK43SB6LA000132
50GK43SB4LA000050	50GK43SB7LA000091	50GK43SB8LA000133
50GK43SB6LA000051	50GK43SB9LA000092	50GK43SBXLA000134
50GK43SB8LA000052	50GK43SB0LA000093	50GK43SB1LA000135
50GK43SBXLA000053	50GK43SB2LA000094	50GK43SB3LA000136
50GK43SB1LA000054	50GK43SB4LA000095	50GK43SB5LA000137
50GK43SB3LA000055	50GK43SB6LA000096	50GK43SB7LA000138
50GK43SB5LA000056	50GK43SB8LA000097	50GK43SB9LA000139

K A R M A

50GK43SB5LA000140	50G6E4SS5MA000015	50G6E4SSXMA000057
50GK43SB7LA000141	50G6E4SS7MA000016	50G6E4SS1MA000058
50GK43SB9LA000142	50G6E4SS9MA000017	50G6E4SS3MA000059
50GK43SB0LA000143	50G6E4SS0MA000018	50G6E4SSXMA000060
50GK43SB2LA000144	50G6E4SB2MA000019	50GK43SB4MA000180
50GK43SB4LA000145	50G6E4SB9MA000020	50GK43SB6MA000181
50GK43SB6LA000146	50G6E4SB0MA000021	50GK43SBXMA000183
50GK43SB8LA000147	50G6E4SL1MA000022	50GK43SB1MA000184
50GK43SBXLA000148	50G6E4SS6MA000024	50GK43SB7MA000187
50GK43SB1LA000149	50G6E4SS8MA000025	50GK43SB9MA000188
50GK43SB8LA000150	50G6E4SSXMA000026	50GK43SB0MA000189
50GK43SBXLA000151	50G6E4SS1MA000027	50GK43SB7MA000190
50GK43SB1LA000152	50G6E4SS3MA000028	50GK43SB9MA000191
50GK43SB3LA000153	50G6E4SS5MA000029	50GK43SB0MA000192
50GK43SB5LA000154	50G6E4SS1MA000030	50GK43SB2MA000193
50GK43SB7LA000155	50G6E4SS3MA000031	50GK43SB4MA000194
50GK43SB0LA000157	50G6E4SS5MA000032	50GK43SB6MA000195
50GK43SB2LA000161	50G6E4SS7MA000033	50GK43SB8MA000196
50GK43SB4LA000162	50G6E4SS9MA000034	50GK43SB6MA000200
50GK43SB6LA000163	50G6E4SLXMA000035	50GK43SB8MA000201
50GK43SB8LA000164	50G6E4SS2MA000036	50GK43SBXMA000202
50GK43SBXLA000165	50G6E4SS4MA000037	50G6E4SS5NA000064
50GK43SB1LA000166	50G6E4SS6MA000038	50G6E4SS9NA000066
50GK43SB7LA000169	50G6E4SS8MA000039	50G6E4SS0NA000067
50GK43SB3LA000170	50G6E4SS4MA000040	50G6E4SS2NA000068
50GK43SB9LA000173	50G6E4SS6MA000041	50G6E4SS4NA000069
50GK43SB4LA000176	50G6E4SS8MA000042	50G6E4SS0NA000070
50G6E4SS5MA000001	50G6E4SSXMA000043	50G6E4SS2NA000071
50G6E4SS7MA000002	50G6E4SS1MA000044	50G6E4SS4NA000072
50G6E4SS9MA000003	50G6E4SS3MA000045	50G6E4SS6NA000073
50G6E4SS0MA000004	50G6E4SS5MA000046	50G6E4SL7NA000074
50G6E4SS2MA000005	50G6E4SS7MA000047	50G6E4SSXNA000075
50G6E4SS4MA000006	50G6E4SS9MA000048	50G6E4SB1NA000076
50G6E4SS6MA000007	50G6E4SLXMA000049	50G6E4SS3NA000077
50G6E4SS8MA000008	50G6E4SS7MA000050	50G6E4SL4NA000078
50G6E4SSXMA000009	50G6E4SL8MA000051	50G6E4SL6NA000079
50G6E4SS6MA000010	50G6E4SS0MA000052	50G6E4SS3NA000080
50G6E4SS8MA000011	50G6E4SS2MA000053	50G6E4SL4NA000081
50G6E4SSXMA000012	50G6E4SS4MA000054	50G6E4SS7NA000082
50G6E4SS1MA000013	50G6E4SS6MA000055	50G6E4SL8NA000083
50G6E4SS3MA000014	50G6E4SS8MA000056	50G6E4SLXNA000084

K A R M A

50G6E4SS2NA000085
50G6E4SB6NA000087
50G6E4SS8NA000088
50G6E4SSXNA000089
50G6E4SB6NA000090
50G6E4SS8NA000091
50G6E4SSXNA000092
50G6E4SS1NA000093
50G6E4SS1NA000305

Type: Campaign

Year: 2022

MODEL: Revero GT and GTS, and GS-6

System: Chassis and Body Structure

TITLE: Torque Verification

Sequence: 02

SHOP SUPPLIES:

DESCRIPTION
Thread locker - red

SPECIAL TOOLS and PARTS:

PART NUMBER	DESCRIPTION	QTY
N/A		

LABOR CODES:

CODE	DESCRIPTION	TIME	DEFECT CODE
60-30-02-10	Torque Verification	0.5	60-30-02-30

CAUSAL PART:

PART NUMBER	DESCRIPTION
C131150004500	Front End Energy Absorber Complete Assembly K1 2.0

Karma Automotive Bulletins and service documents are intended for use by experienced and trained Technicians. If you lack the skills, tools, equipment and a suitable workshop for any procedure described in this document, we suggest you leave such repairs to an Authorized Karma Service Provider or qualified service center. See your service provider for advice on whether your vehicle may benefit from the information contained within this document. The information contained in the Karma Bulletin is accurate at the date of publication. However, Karma Automotive regularly updates technical information. Please check with your Karma Automotive Service Provider that the bulletin you intend to use contains the latest available information.