



INSTRUCTION TO SERVICE

ITS: 60462		May/25/2022
SECTION:	292-ELECTRICAL HARNESSES	
WRITTEN BY:	Ilan Kizner	
SUBJECT:	Rework – Dock approach gong wiring.	
ISSUE:	Alarm notification to notify pedestrians of approaching bus at stations.	
SUMMARY:	Geofencing to trigger the gong whenever bus is approaching the station	

ITS60462

THIS ITS DOCUMENT SHOULD BE RETAINED AND REFERRED TO FOR FUTURE MAINTENANCE UNTIL THE NEW FLYER PARTS AND/OR SERVICE MANUAL IS UPDATED TO REFLECT WORK DONE AS A RESULT OF THIS DOCUMENT. ENSURE THAT THIS DOCUMENT IS AVAILABLE FOR PARTS AND MAINTENANCE STAFF GOING FORWARD.

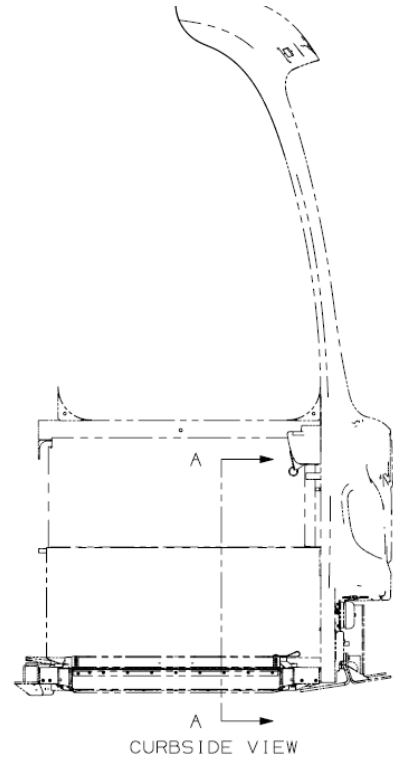
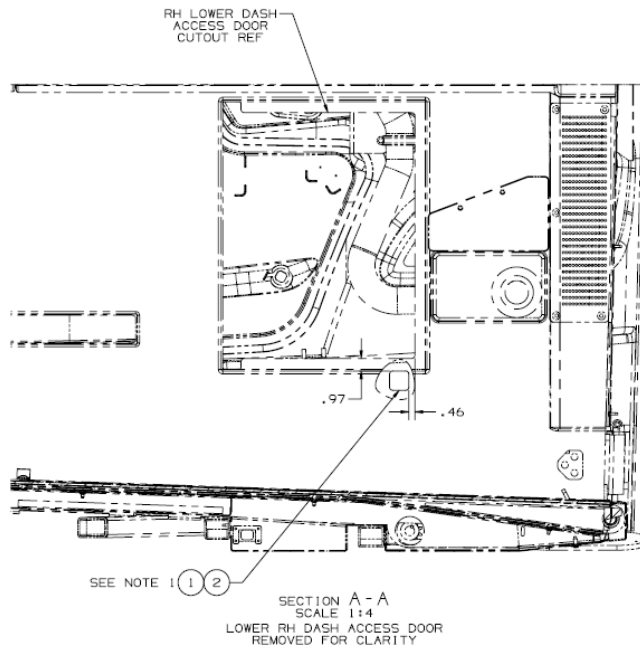


Contents

INSTRUCTION TO SERVICE	1
1. Gong Mounting Bracket	3
2. Gong Assembly Installation	4
3. Rework-dock approach gong wiring	4
4. Rework-Add switch to side console:	6
5. Software installation.....	7
Appendix A – Gong Installation	8
Appendix B - Tools and labor	9

1. Gong Mounting Bracket

- ❖ Bond tapping plate 937021 to back side of front mask at specified location. Use bonding PLEXUS MA920.

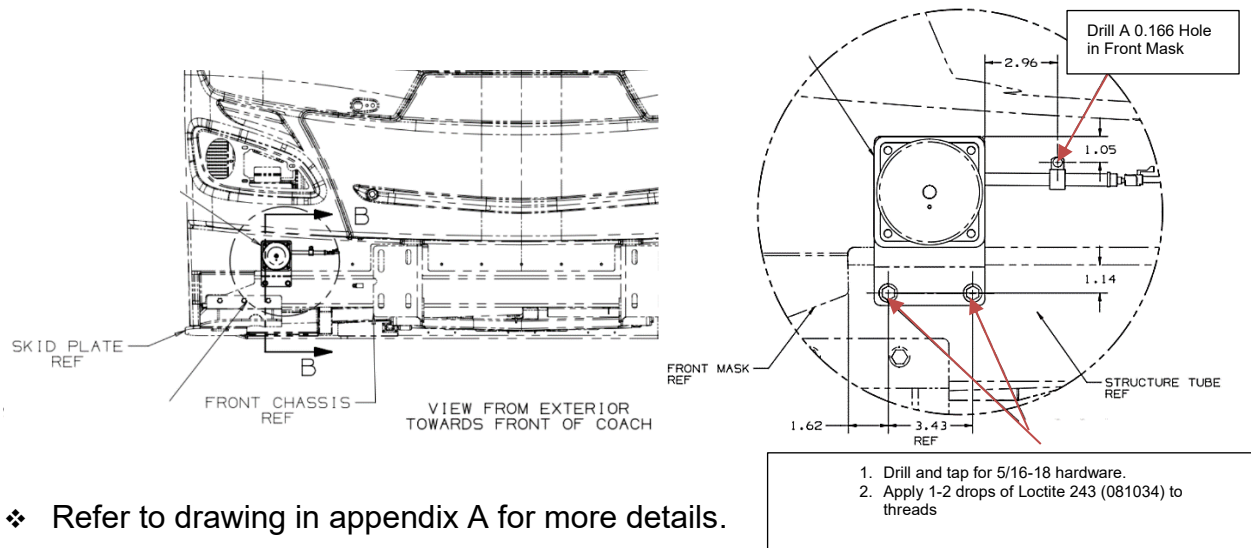




NEW FLYER

2. Gong Assembly Installation

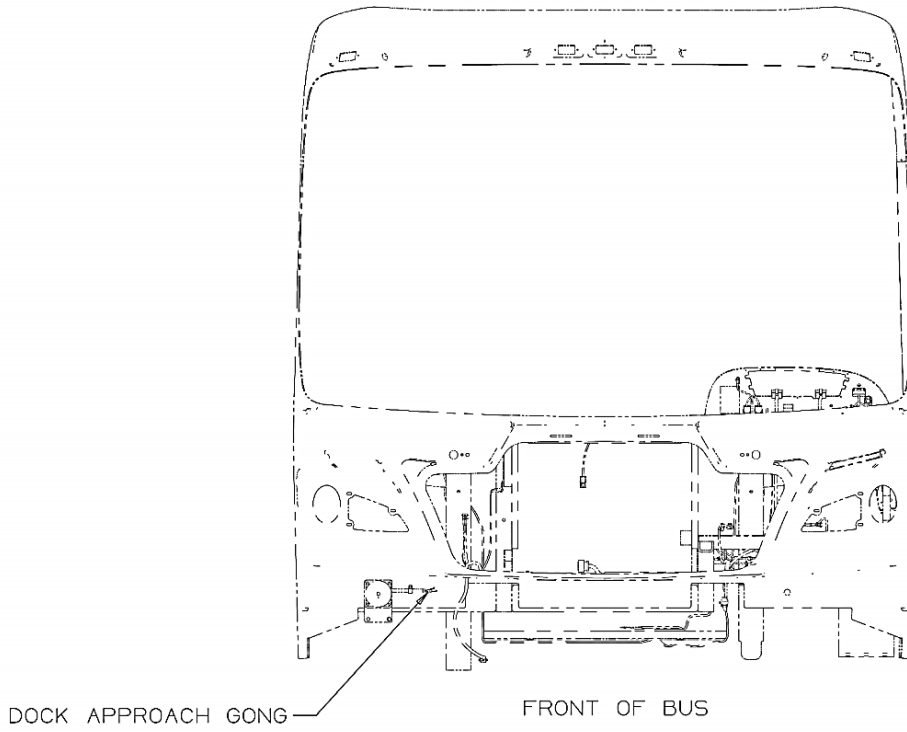
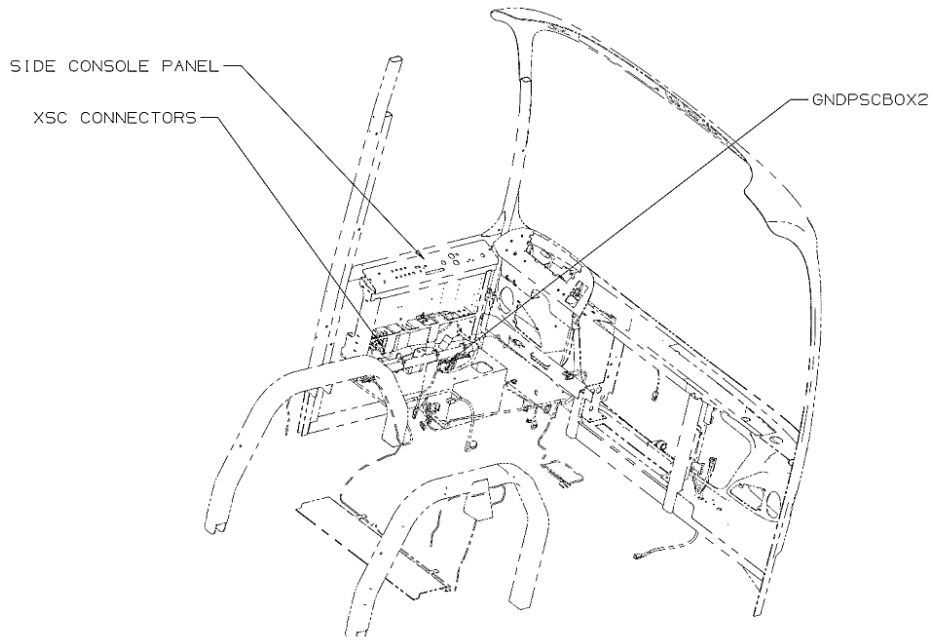
- ❖ Install Gong Assembly 585853 in the front chassis area above the skid plate



- ❖ Refer to drawing in appendix A for more details.
- ❖ Use clamp 092582 and screw 34S00012 to secure Gong harness.
- ❖ Use 2 Bolts 20B05012, 2 washers 50W05000 to secure Gong to Bracket.

3. Rework-dock approach gong wiring

- ❖ Turn the master run switch to the off position and wait 5 minutes before proceeding.
- ❖ Locate HRNS-SIDE CONSOLE PANEL, in ASSY-SC PANEL.
- ❖ Using supplied jumper P/N 906523, connect appropriate end of wire 99DS99A to node 09-J1-1 and the other end to XSC23-SHR-B.
- ❖ Route Jumper Along Existing Harness. HRNS SC TO DASH OPTIONS.
- ❖ Locate HRNS-SC TO DASH OPTIONS, IN INSTL-HRNS SC TO DASH OPTIONS
- ❖ Using Supplied Jumper (P/N 906529), connect DOCK APPROACH GONG-SHR to GONG APPROACH GONG-TWR.
- ❖ Connect Other End of Wire 99DS99C to GNDPSCBOX of SC TO DASH OPTS harness
- ❖ Connect other end of wire 99DS99B to XSC23-TWR-B of SC TO DASH OPTS HARNESS.
- ❖ Route jumper along existing harness.





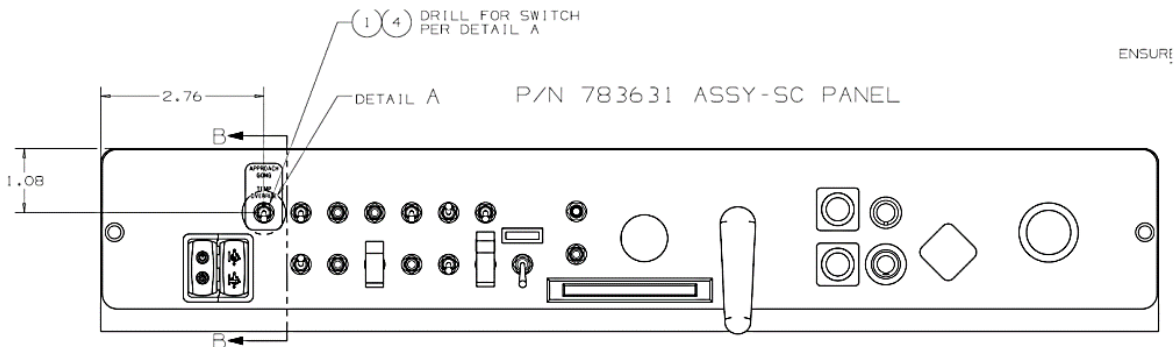
4. Rework-Add switch to side console:

NOTES:

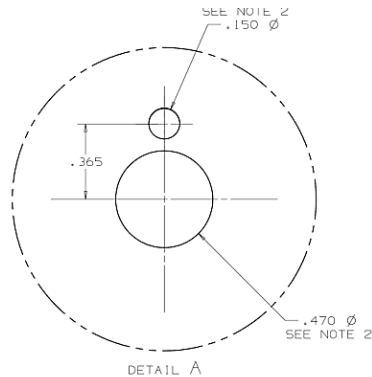
- ❖ Ensure mounting surface is clean and free of any grease or debris.
- ❖ Care to be taken to ensure no wires are on the backside before drilling.

Side Console Panel Harness:

- ❖ Locate HRNS-SIDE CONSOLE PANEL P/N 828308_A from ASSY-HRNS SIDE CONSOLE PANEL P/N 828307.
- ❖ Locate HRNS-JMPR SC PANEL P/N 941887.
- ❖ Connect wire "99DS99E" to terminal 1 of DOCK APP GONG SW.
- ❖ Connect wire "99DS99D" to terminal 2 of DOCK APP GONG SW.
- ❖ Load other end of wire "99DS99E" from jumper into cavity 5 of connector NODE 09-J1.
- ❖ Load other end of wire "99DS99D" from jumper into GNDBSC.
- ❖ Route jumper along existing harness.



- Ensure decal is centered to switch location
- Insert tab on washer into $\varnothing.150$ hole to orient keyway





NEW FLYER®

5. Software installation

- Update IP CONFIG logic to the latest revision of 833581.
- Update PLC logic to the latest released revision of 833582.

Appendix B - Tools and labor

LABOUR ESTIMATE				
	Operation	Number of Technician(s)	Hours	Labor Time T X HR
	Rework receptacle assembly (one side)	1	2.0	2.0

PARTS REQUIRED					
Item	Part Number	Description	Qty. per Coach	Units	Notes
1	8410545	WASHER-SPECIAL LOCK	1	EA	
2	961700	DECAL-DOCK APP GONG	1	EA	
3	941887	HRNS-JMPR SC PANEL	1	EA	
4	554752	WASHER-KEYWAY ROTATION	1	EA	
5	8110729	SWITCH SPST MOMENT	1	EA	
6	906529	HRNS-JMPR SC TO DASH OPTS	2	EA	
7	906523	HRNS-JMPR SC PANEL	1	EA	
8	937021	PLATE-TAPPING GONG WIRING	2	EA	
9	523613	SPEC-PLEXUS MA920	1	EA	
10	081034	LOCTITE-243 MEDIUM 10ML	1	EA	
11	585853	ASSY-GONG	1	EA	
12	50W05000	WASHER FLAT SS 5/16 NOM	2	EA	
13	34S00012	SCREW-NO 10-24 X 0.75	1	EA	
14	20B05012	BOLT 5/16-UNC 0.75 LG SS	2	EA	
15	092582	CLAMP-P 0.500	1	EA	