



SERVICE ACTION

Service Action
Number: N576v2

Coolant Level Sensor Loose	Subject:
	Publication No.: N576v2
	Model: Defender (LE)
	Model Year: 2020
	Date of Issue: 13 June 2022
	Expiry Date: 30 September 2023

To:	Jaguar Land Rover (JLR) North America, LLC - USA and Canada
For the Attention of:	The approved JLR retailer/authorized repairer
Important:	NOTE: The information in this campaign is intended for use by trained, professional technicians with the knowledge, tools, and equipment required to do the job properly and safely. It informs these technicians of conditions that may occur on some vehicles or provides information that could assist in proper vehicle service. The procedures should not be performed by 'do-it-yourselfers'. If you are not a JLR retailer/authorized repairer, do not assume that a condition described affects your vehicle. Contact an authorized JLR retailer/authorized repairer to determine if this campaign applies to a specific vehicle. This campaign has been issued to provide the relevant repair instructions, parts and warranty information. This campaign is valid for two years only. Repairs must be completed prior to the expiry date at the top of this campaign. This campaign has been updated to include a note to the Service Instruction.

DESCRIPTION OF ISSUE

A potential concern has been identified on specific vehicles within the above vehicle range.

On certain 2020 model year Defender vehicles, a false low coolant level warning message may be displayed on the Instrument Panel Cluster (IPC), due to a loose coolant level sensor.

ACTION TO BE TAKEN

Unsold vehicles must be repaired prior to handover of the vehicle for retail sale.

At the next opportunity, you are requested to repair the vehicle.

Visit the British Brands Sales Suite (BBSS) website for a list of affected vehicles at your retailer/authorized repairer. Unsold vehicles must be repaired prior to handover of the vehicle for retail sale.

Check the Warranty Portal to make sure that the vehicle is affected by this bulletin prior to starting this service instruction. The Warranty Portal will be updated to reflect only those vehicles affected.

At the time of confirming a booking for a vehicle repair, make sure that all outstanding bulletins are identified to make sure the correct parts are available and adequate workshop time is allocated for repairs to be completed at one visit.

Yours faithfully

Simon Barnes

Global Customer Service Quality Director

SERVICE INSTRUCTION - N576V2

Changes are highlighted in blue



NOTE: The information in this campaign is intended for use by trained, professional technicians with the knowledge, tools, and equipment required to do the job properly and safely. It informs these technicians of conditions that may occur on some vehicles or provides information that could assist in proper vehicle service. The procedures should not be performed by 'do-it-yourselfers'. If you are not a Jaguar Land Rover (JLR) retailer/authorized repairer, do not assume that a condition described affects your vehicle. Contact an authorized [JLR](#) retailer/authorized repairer to determine if this campaign applies to a specific vehicle.

Parts Information

The parts below should be ordered through [JLR](#) in the normal manner.

Description	Part Number	Qty
Coolant expansion tank	LR166954	1

SROs

Description	SRO	Time
N576 - Inspect coolant expansion tank part number - No further action	05.10.10	0.1
N576 - Inspect coolant expansion tank part number - Renew coolant expansion tank	99.02.01.15	0.3
Drive In/drive out	02.02.02	0.2



NOTE: Repair procedures are under constant review, and therefore times are subject to change; those quoted here must be taken as guidance only. Always refer to TOPIx to obtain the latest repair time.

Warranty Information

Warranty claims should be submitted quoting program code N576 with the relevant option code from the table below. As option codes are used there is no requirement for you to enter SROs or parts, these are included for information only.

Program Code	Option	Description	SRO	Time	Part Number	Qty
N576	A	N576 - Inspect coolant expansion tank part number - No further action	05.10.10	0.1	N/A	N/A
N576	B	N576 - Inspect coolant expansion tank part number - No further action Drive In/drive out	05.10.10 02.02.02	0.1 0.2	N/A	N/A
N576	C	N576 - Inspect coolant expansion tank part number - Renew coolant expansion tank	99.02.01.15	0.3	LR166954	1
N576	D	N576 - Inspect coolant expansion tank part number - Renew coolant expansion tank Drive In/drive out	99.02.01.15 02.02.02	0.3 0.2	LR166954	1

Warranty claims should be submitted in accordance with the current [JLR](#) Global Warranty Manual, and its amendments, unless stated otherwise in this bulletin.

Table of Contents

[REMOVAL AND INSTALLATION: Service Inspection](#)[REMOVAL AND INSTALLATION: Service Instruction](#)

SERVICE INSPECTION

NOTES:



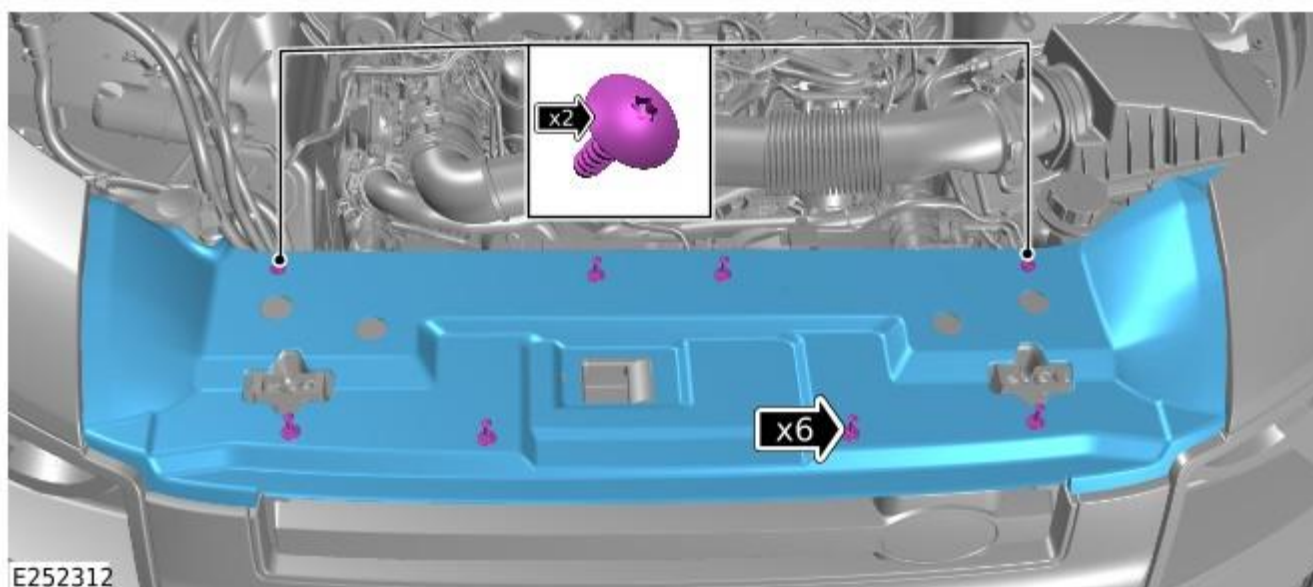
Some variation in the illustrations may occur, but the essential information is always correct.



Some components shown removed for clarity.

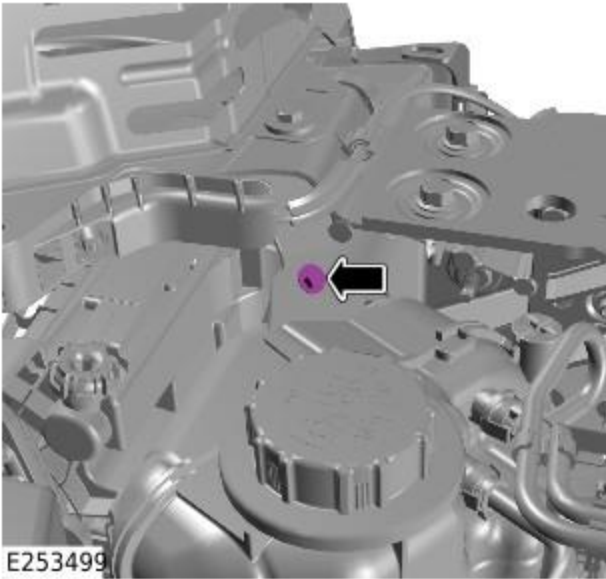
1. Remove the upper radiator grille panel.

- Remove the 2 bolts.
 - Torque: **5 Nm**
- Remove the 6 clips.



2. Remove the bolt from the coolant expansion tank bracket.

- Torque: **2.8 Nm**

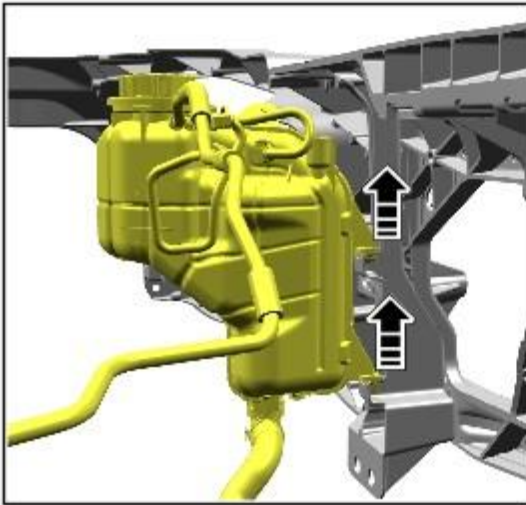


3.

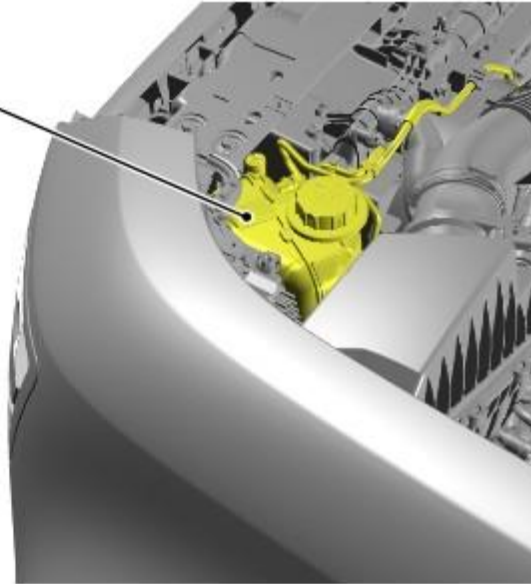


NOTE: The coolant expansion tank part number is located on the opposite side of the expansion tank to the Min/Max markings.

Release the coolant expansion tank and reposition upwards so the part number is visible.

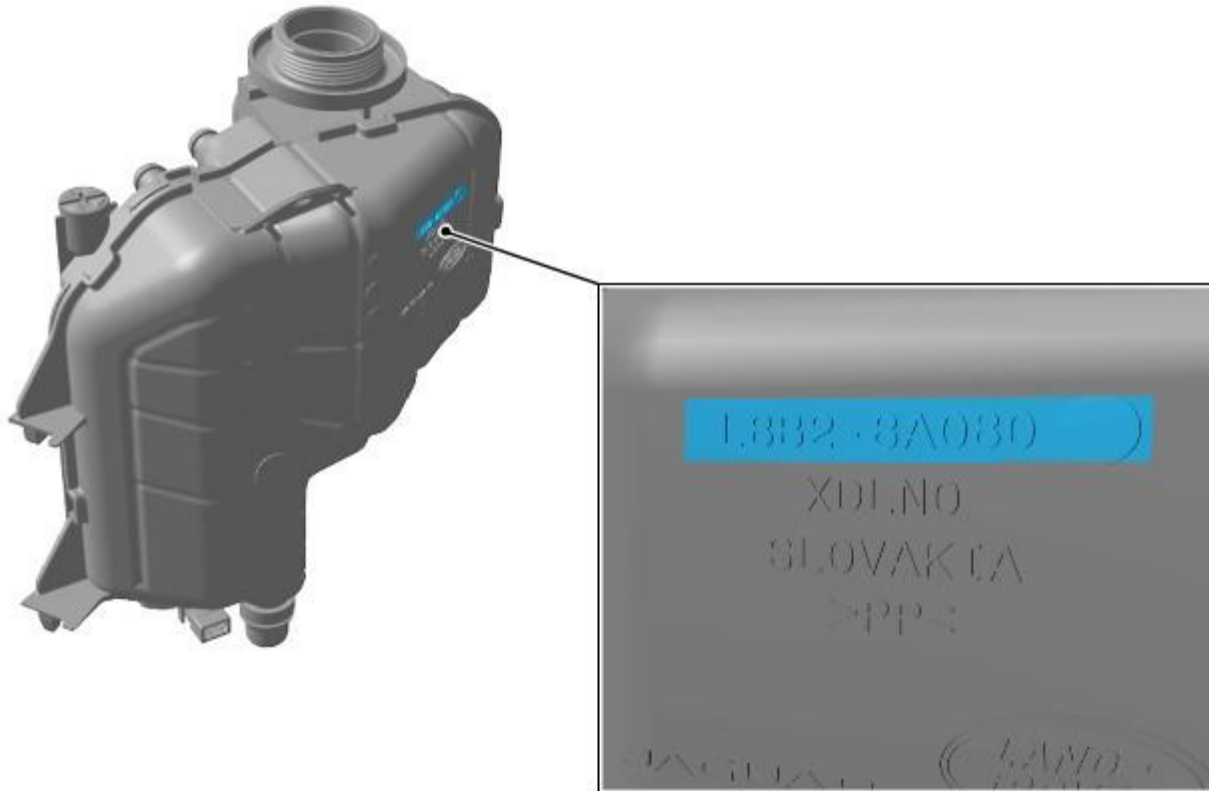


E253500



4. Inspect the coolant expansion tank part number.

- If the coolant expansion tank part number is **L8B2-8A080-AF** or **L8B2-8A080-AG**, reverse steps 1 to 3 and release the vehicle.
- If the coolant expansion tank part number is not **L8B2-8A080-AF** or **L8B2-8A080-AG**, continue to the Service Instruction.



E283547

SERVICE INSTRUCTION

NOTE: The coolant removed from the coolant expansion tank must be stored in a clean container to avoid contamination. The coolant collected during the removal process must be reused when filling the new coolant expansion tank to the correct level.

1.



CAUTION: Take extra care not to damage the blanking cap when removing from the old coolant expansion tank and installing to the new coolant expansion tank. Failure to follow this instruction may cause coolant to leak from the blanking cap.

Renew the coolant expansion tank (see TOPIx Workshop Manual section 303-03: Engine Cooling - Removal and Installation - Coolant Expansion Tank - **Complete removal steps 4 to 8, followed by all installation steps**).