

**June 24, 2022**

Version 1

## Civic Coupe Trunk Spring Replacement

### AFFECTED VEHICLES

| Year    | Model       | Trim Level    | VIN Range |
|---------|-------------|---------------|-----------|
| 2016–20 | Civic Coupe | All except Si | ALL       |
| 2016–20 | Civic Coupe | Si            | ALL       |

NOTE: This bulletin does not apply to vehicles with Honda Genuine accessory spoilers or non-OEM style trunk spoilers.

### SYMPTOM

The trunk spring breaks and will not hold the trunk lid in the upright position.

### POSSIBLE CAUSE

There is fatigue in the material used in manufacturing of the trunk spring.

### CORRECTIVE ACTION

Replace the trunk spring(s) with new part number(s) in the PARTS INFORMATION.

### PARTS INFORMATION

| Part Name            | Part Number   | Quantity |
|----------------------|---------------|----------|
| Spring R, Trunk Open | 74871-TBG-A01 | 1        |
| Spring L, Trunk Open | 74872-TBG-A01 | 1        |
| Spring L, Trunk Open | 74872-TBJ-A01 | 1        |

### TOOL INFORMATION

| Tool Name                 | Tool Number   | Quantity |
|---------------------------|---------------|----------|
| Torsion Bar Assembly Tool | 07AAF-T2AA200 | 1        |

**CUSTOMER INFORMATION:** The information in this bulletin is intended for use only by skilled technicians who have the proper tools, equipment, and training to correctly and safely maintain your vehicle. These procedures should not be attempted by “do-it-yourselfers,” and you should not assume this bulletin applies to your vehicle, or that your vehicle has the condition described. To determine whether this information applies, contact an authorized Honda automobile dealer.

## WARRANTY CLAIM INFORMATION

The normal warranty applies.

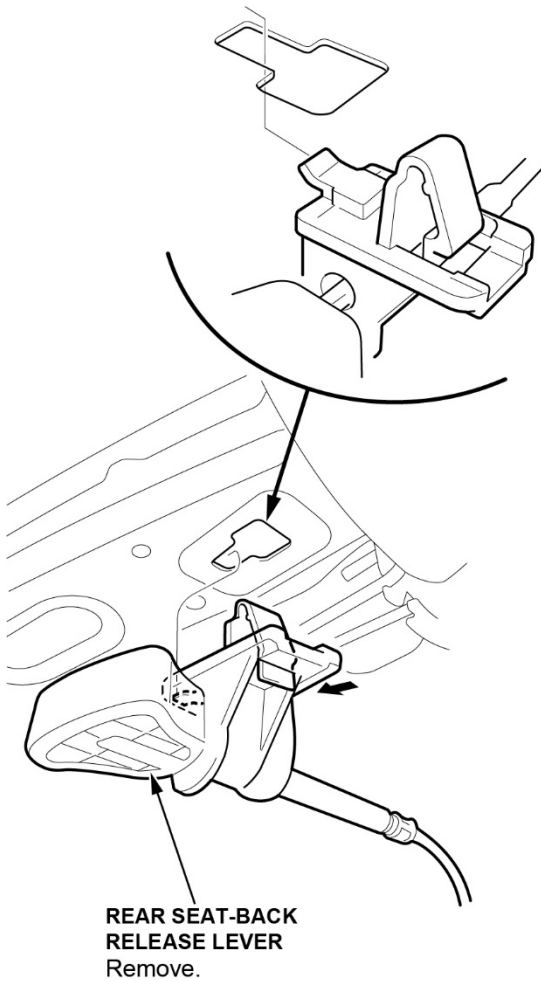
| Operation Number | Description                                       | Flat Rate Time | Defect Code | Symptom Code | Template ID | Failed Part Number |
|------------------|---|----------------|-------------|--------------|-------------|--------------------|
| 8231B8           | Replace the trunk lid torsion bar(s). (except Si) | 0.3 hr.        | 01101       | 03217        | A22013A     | 74871-TBG-A00      |
|                  | Replace the trunk lid torsion bar(s). (Si)        |                |             |              | A22013B     | 74872-TBJ-A00      |

Skill Level: Repair Technician

## REPAIR PROCEDURE

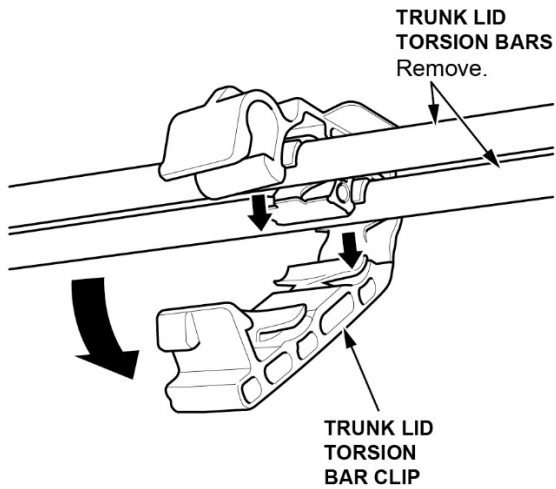
NOTE: Follow the procedure found in the service information under *Trunk Lid Torsion Bar Removal and Installation* noting the steps shown below.

1. Remove the rear seat-back release lever.

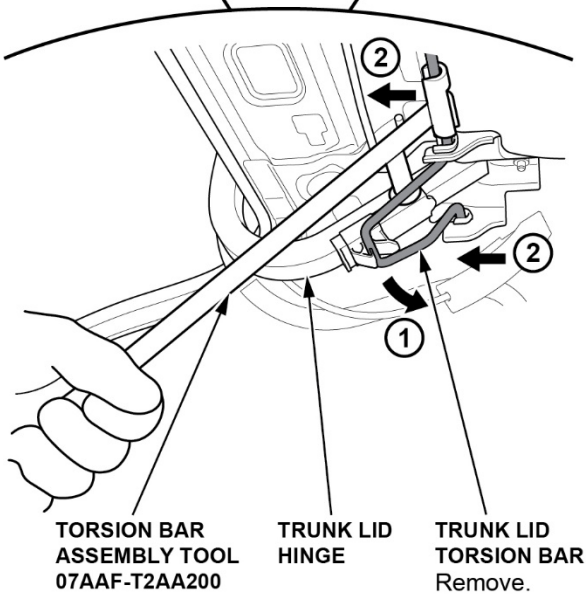


2. Remove the trunk lid torsion bars from the trunk lid torsion bar clip.

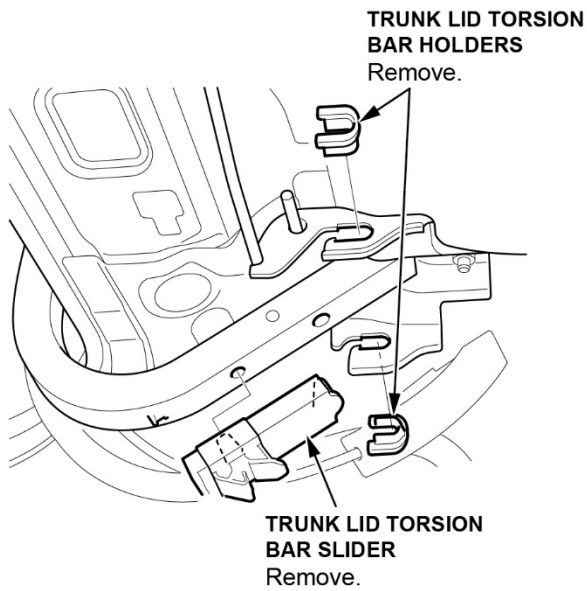
NOTE: Take notice of the clip orientation upon disassembly as it will be turned **180 degrees** in the opposite direction upon reassembly.



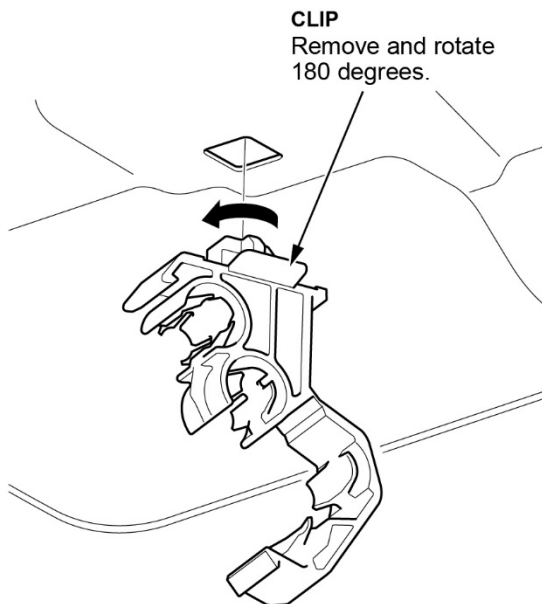
3. Remove the truck lid torsion bars with the torsion bar assembly from both trunk lid hinges.



4. If necessary, remove the trunk lid torsion bar holders and the trunk lid torsion bar slider.



5. Remove the clip and rotate it 180 degrees.



6. Install all the removed parts in the reverse order of removal.

END