

June 8, 2022

Version 1

2018-2022 Odyssey: Sliding Door Power Window Reverses During Auto-Up Operation

AFFECTED VEHICLES

Year	Model	Trim	VIN Range
2018–22	Odyssey	ALL except LX	ALL

SYMPTOM

When activating the sliding door power window auto-up feature, the window rolls up halfway and then rolls back down.

POSSIBLE CAUSE

There could be a pinch detection software compatibility issue between the power window regulator control unit and the rear window switch.

CORRECTIVE ACTION

Replace the power window switch on the sliding door exhibiting the problem.

PARTS INFORMATION

Part Name	Part Number	Quantity
Left Rear Power Window Switch Assembly	35780-THR-A13	1
Right Rear Power Window Switch Assembly	35770-THR-A13	1

WARRANTY CLAIM INFORMATION

Operation Number	Description	Flat Rate Time	Defect Code	Symptom Code	Template ID	Failed Part Number
744120	Replace the left rear power window switch.	0.3 hr	06401	03217	A22010A	35780-THR-A11
744130	Replace the right rear power window switch.	0.3 hr	06401	03217	A22010B	35770-THR-A11

Skill Level: Repair Technician

CUSTOMER INFORMATION:The information in this bulletin is intended for use only by skilled technicians who have the proper tools, equipment, and training to correctly and safely maintain your vehicle. These procedures should not be attempted by "do-it-yourselfers," and you should not assume this bulletin applies to your vehicle, or that your vehicle has the condition described. To determine whether this information applies, contact an authorized Honda automobile dealer.

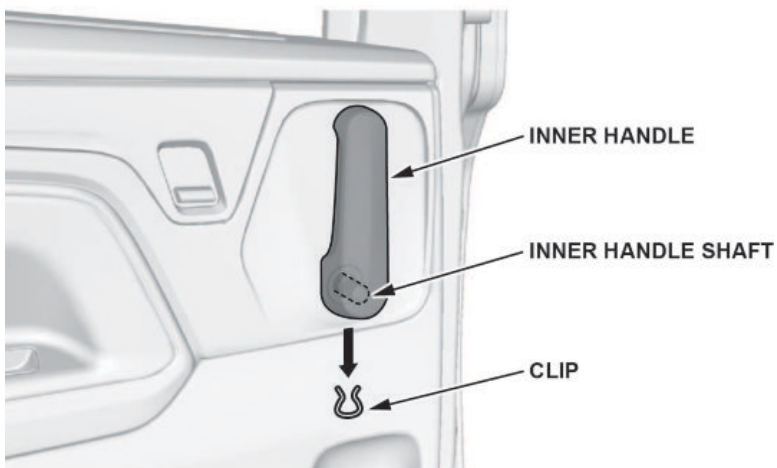
REPAIR PROCEDURE

NOTE: The repair procedure illustrations show the left rear power window switch removal and replacement, the right rear is similar.

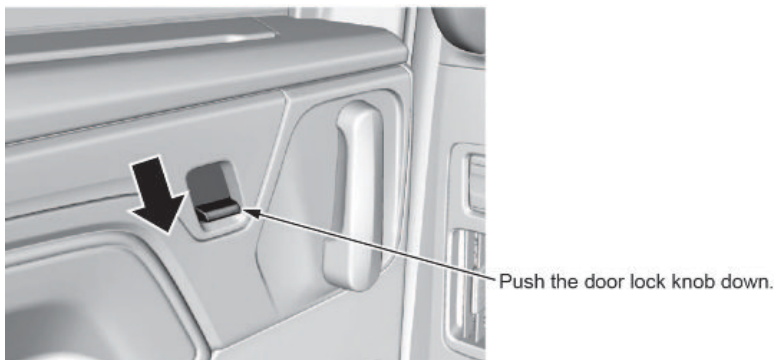
1. Slide the switch down to turn OFF the power sliding door.



2. Use a wire hook to pull the clip off of the inner handle shaft, and remove the inner handle.

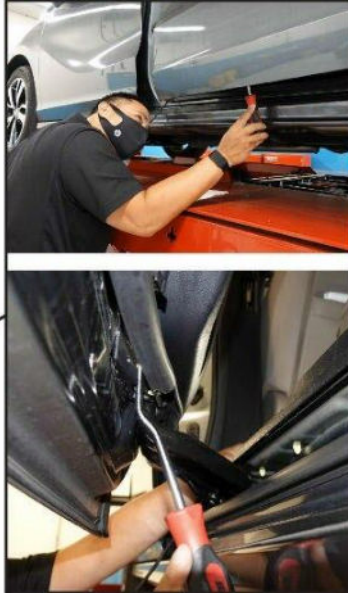
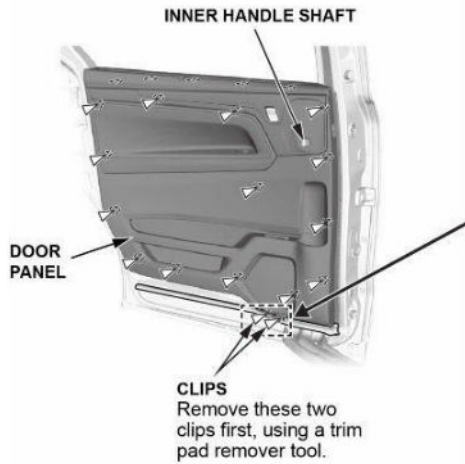


3. Push the door lock knob down to the locked position to prevent it from being damaged when removing the door panel.

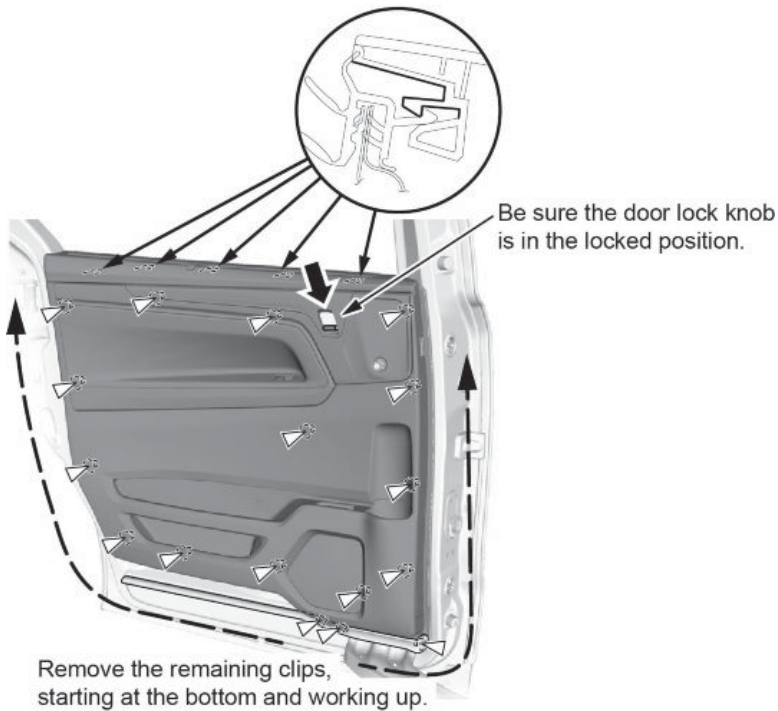


4. Using a trim pad remover, remove the 2 clips at the bottom of the door panel. Then, release the door seal from the door panel.

NOTE: Removing the two clips prevents pulling the door seal off the door as the door panel is lifted and removed.



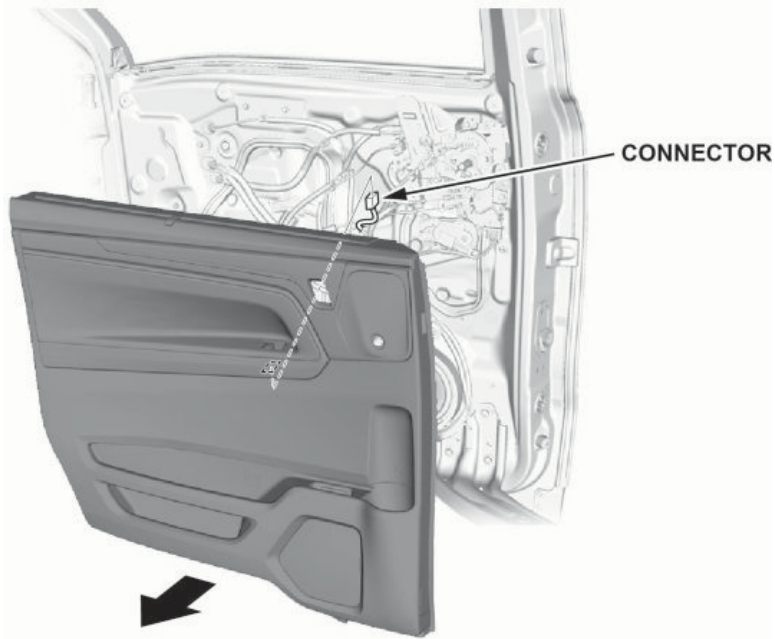
5. Start at the bottom edge of the door panel, and remove the remaining clips with a commercially available trim pad remover.



6. Starting at the rear, pull the door panel upward making sure the clips from step 4 are free and not pulling on the lower door seal. Pull the door panel away from the inner handle shaft, and lift it.

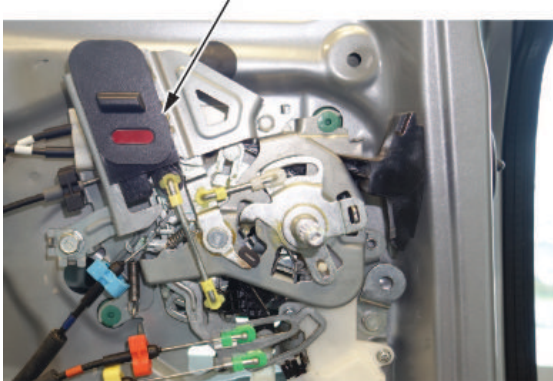
NOTE: To prevent damage to the door lock knob, make sure it is in the locked position.

7. While holding the sliding door panel away from the door, disconnect the connector. Then, remove the door panel.



8. Make sure the door lock knob properly engages the bracket. If it is disengaged, disconnect the rod from the slider, reinstall the slider, then connect the rod.

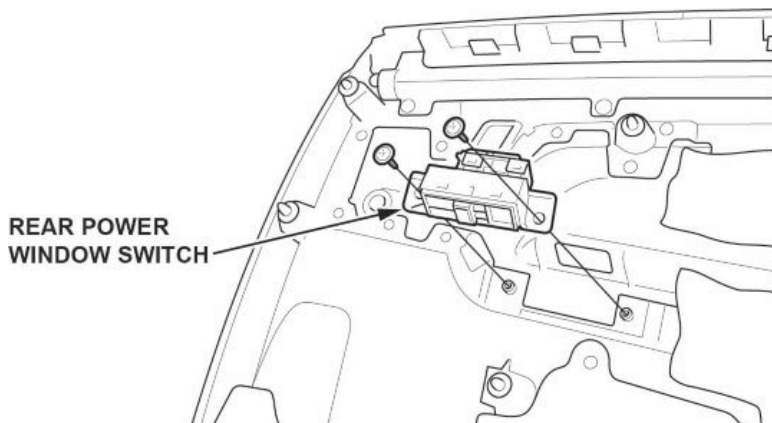
Door lock knob in proper position.



Door lock knob is disengaged.



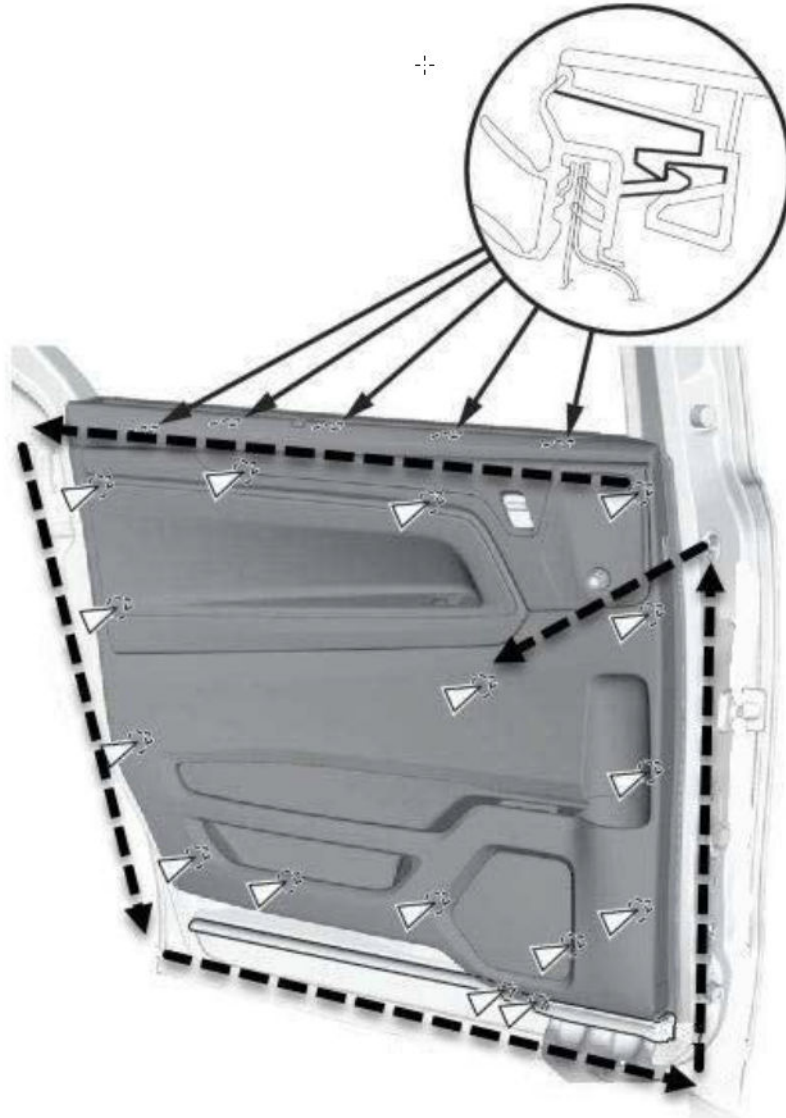
9. Remove the two screws securing the switch to the door liner, and install a new switch.



10. Install the remaining removed parts in the reverse order. Be sure to tighten all of the fasteners to the specified torque and make sure to check the following:

- The inner handle is fully set.
- The door switch wire harness is connected.
- All of the clips on both door panel and lower door seal are set.

NOTE: To prevent misalignment of the door panel, make sure you install it exactly as shown.



11. Slide the switch up to turn ON the power sliding doors.



12. To reset the power window control unit, turn the ignition to ON.

13. Lower the power window all the way using the power window down switch.

14. Raise the power window all the way using the power window up switch, and hold the switch for at least **1 second**.

15. Make sure the rear window auto up/down feature works correctly using the respective rear window switch.

16. Make sure each rear window's auto up/down feature works correctly using the driver's power window master switch.

END