


# RCA-38-22-002-1: Retorque Front and Rear Drive Unit Assembly Fasteners


Rivian is initiating a customer satisfaction campaign for some model year 2022 R1T vehicles that may have been built with drive unit housing bolts that were not fully torqued. This condition may result in insufficient force holding together the exterior casing of the front and/or rear drive unit(s). If the housings are not sufficiently secured, the drive unit(s) may operate with increased levels of noise and vibration, which will be noticeable to customers. The drive unit(s) may also leak transmission oil which may be noticeable to the customer. Ultimately, if these warning signs are ignored, the unit may experience decreased life. A failure of a drive unit would result in a reduced performance safe-state mode and a corresponding indicator light will illuminate on the driver display. Rivian will retorque the affected drive unit fasteners to the correct specification for all affected vehicles. Rivian is launching this campaign for customer satisfaction and to ensure the quality of Rivian vehicles.

<b>Document Type</b>	Customer Satisfaction Campaign Bulletin
<b>Date</b>	June 8, 2022
<b>Affected Region(s)</b>	USA
<b>Affected Model(s)</b>	R1T
<b>Model Year(s)</b>	2022
<b>Approximate Build Dates</b>	January 2022 - March 2022
 Refer to the FSA Dashboard to determine if this document applies to a specific vehicle.	
<b>Vehicle System</b>	38 - Front Drive Unit
<b>Minimum Service Location</b>	Service Center

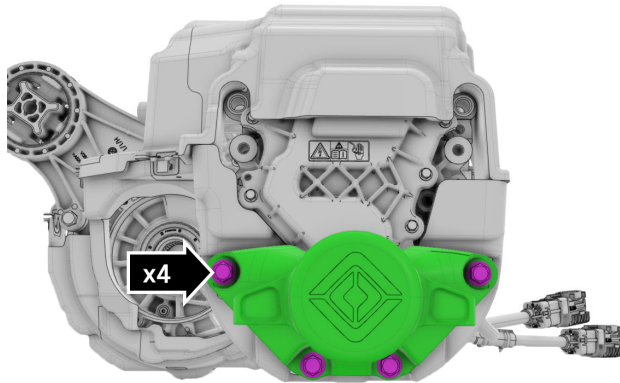
**!** **Important:** Refer to the FSA dashboard to determine whether a particular vehicle requires retorquing the front drive unit, the rear drive unit, or both.

## Front Drive Unit

1. Remove: Subframe, Front (refer to service manual procedure 465515011).

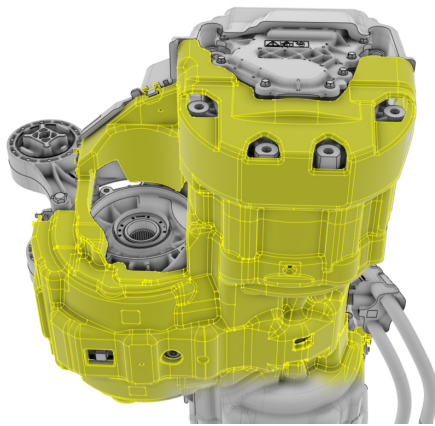
 **Note:** The service manual procedure indicates that SC-00006496-A is non-reusable. For this procedure, these fasteners should be reused, unless the nylon patch material is damaged


2. On the LH side:



 **Note:** Shown with components removed for clarity.

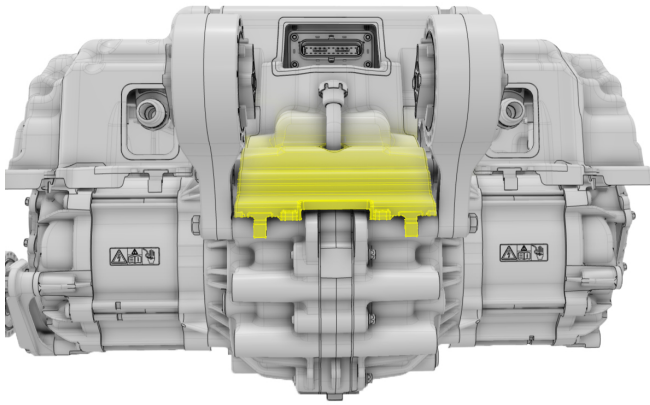
3. On the LH side:



 **CAUTION:** Do not bend any brake lines during this step.

 **Note:** Shown with components removed for clarity.

4.



**Note:** Shown with components removed for clarity.

5. Support the front drive unit with a pole jack in the location shown.



**Note:** The pole jack should be located directly below the drive unit drain plug.

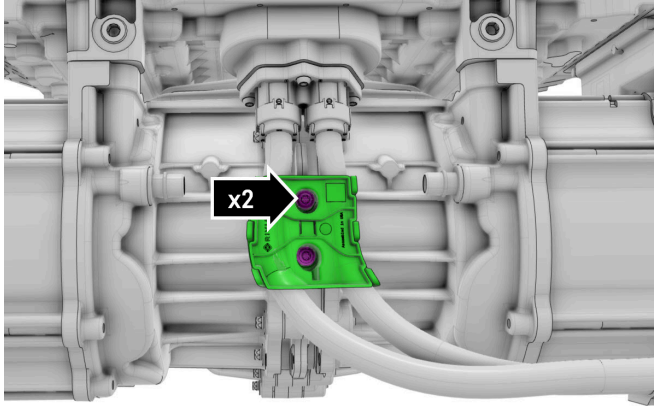


**Warning:** Make sure that the pole jack fully supports the drive unit before continuing this procedure.

6. Remove the R1 front drive unit support tool that was installed in step 1.

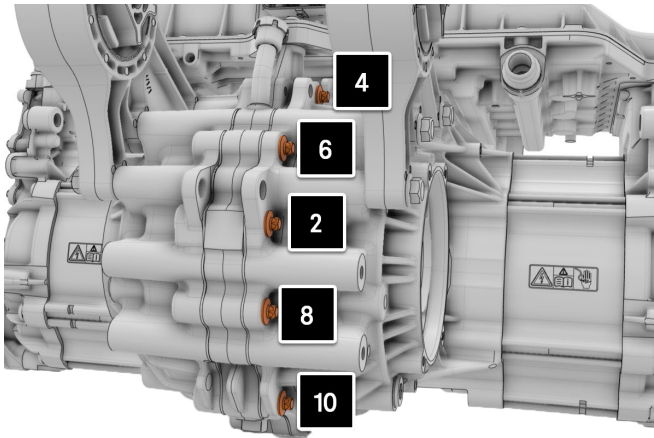
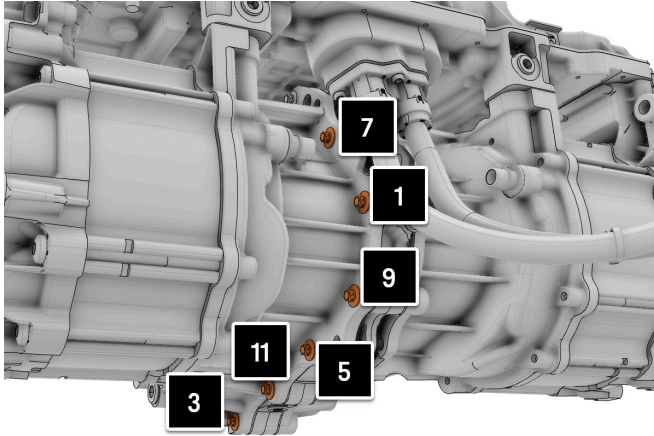
7. Slowly lower the drive unit approximately 6.3 cm (2.5 inches) so that it is positioned slightly above the brake lines.

8. Remove:



**Note:** Shown with components removed for clarity.

9. Retorque the fasteners in the order shown.



**CAUTION:** Do not use a swivel joint when retorquing the fasteners.

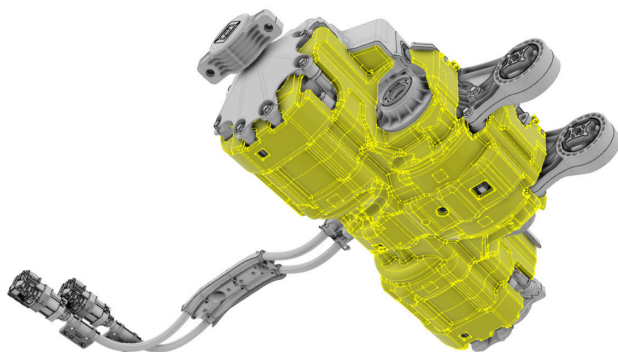
10. Reinstall all components that were removed for access and replace all non-reusable components.

**Torque specifications in this section**

Step Number	Torque (Nm)
2	65
8	9
9	23

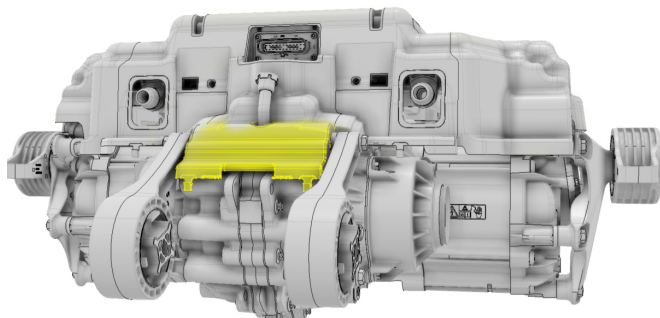
## Rear Drive Unit

1. Remove: Panel, Underbody, HV Battery, Rear (refer to service manual procedure 606513010).
2. Remove: Panel, Underbody, Rear Subframe (refer to service manual procedure 606516010).
- 3.



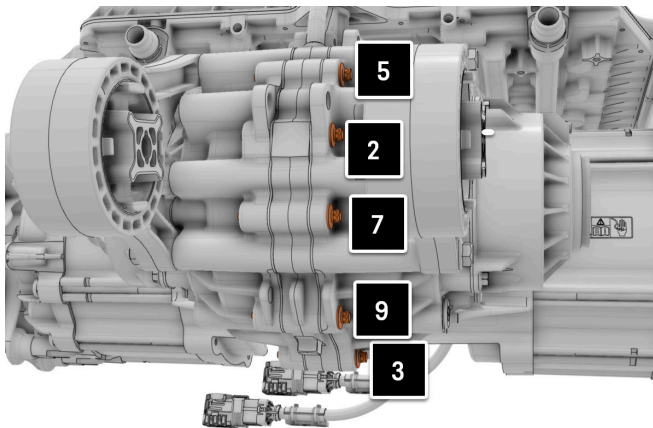
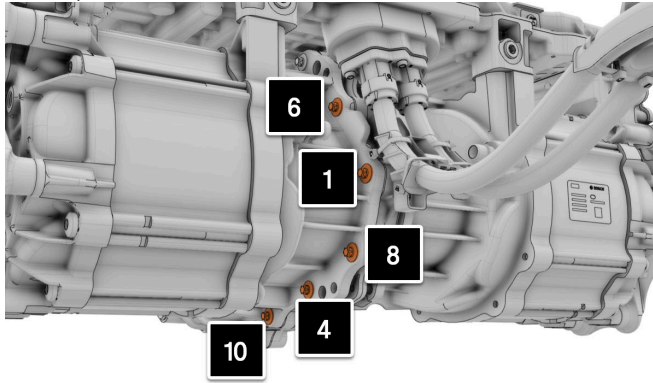
**Note:** Shown with components removed for clarity.

- 4.



**Note:** Shown with components removed for clarity.

5. Retorque the fasteners in the order shown.



**CAUTION:** Do not use a swivel joint when retorquing the fasteners.

6. Reinstall all components that were removed for access and replace all non-reusable components.

**Torque specifications in this section**

Step Number	Torque (Nm)
5	23

## Labor Codes

Labor Code	Description
RCA382200200	RCA-38-22-002-1 not applicable
RCA382200201	Retorque front drive unit assembly fasteners
RCA382200202	Retorque rear drive unit assembly fasteners
RCA382200203	Retorque front and rear drive unit assembly fasteners
Contact <a href="mailto:ServiceDocumentFeedback@rivian.com">ServiceDocumentFeedback@rivian.com</a> regarding labor codes and document content.	