



## Volvo Chassis - Equipped with An Automated Manual Transmission (AMT, iShift) - SNV 19-002 - AMT Oil Filter Housing Corrosion



> Internal Content

For more information refer to [SNV 19 - 002 - AMT Oil Filter Housing Corrosion](#).



Tags

[k43554430](#)

[snv 19-002](#)

[volvo](#)

### Related links and attachments

[SNV19-002](#)



### Feedback

[Give feedback](#)

to help improve the content of this article

# Volvo Trucks

# Uptime



## Service News

**To:** General Managers  
Service Managers  
Service Technicians  
Warranty Managers

**Region:**  U.S.  
 CAN

**Bulletin:** SNV19-002

**Date:** January 28, 2019

**Valid to:** N/A

**Action Required?**  Yes  No

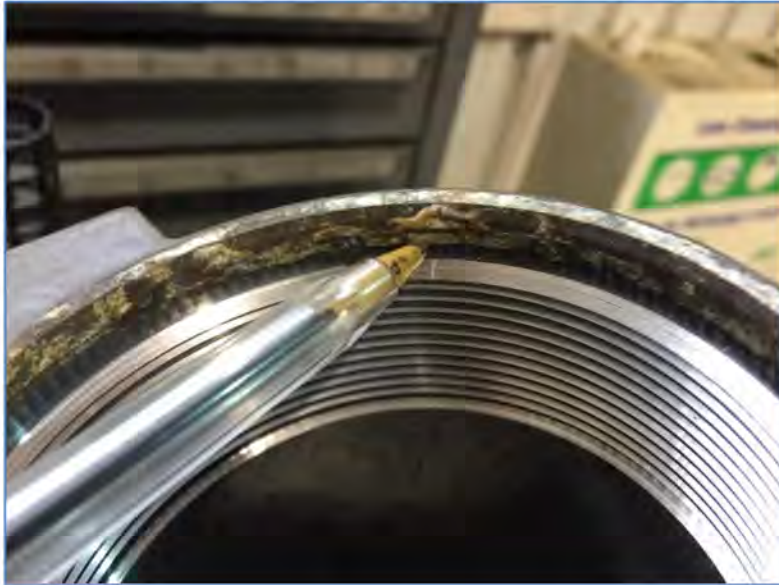
**From:** Greg Holderfield – Director, Technical Support  
**Subject:** AMT Oil filter Housing Corrosion

### AMT oil filter housing corrosion

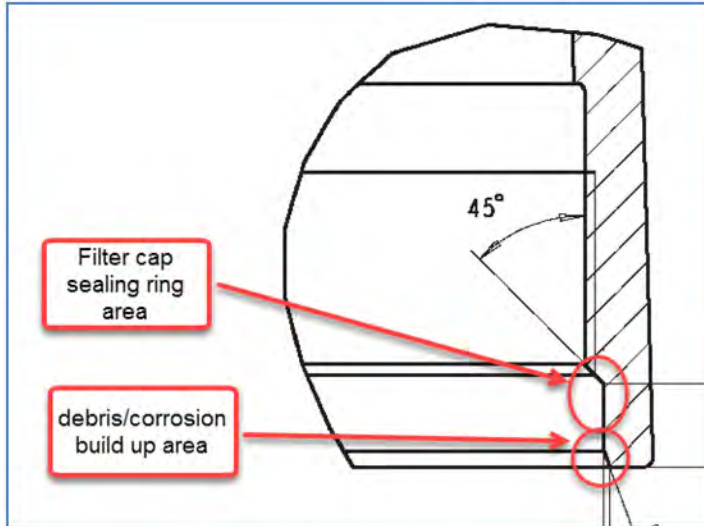
The AMT gearbox oil filter housing has been found to develop debris buildup or corrosion on the filter cover flange.

Failure to inspect and properly clean this area during a filter change can lead to a sealing ring failure during installation of the cap that may not be found during the oil change. The subsequent oil leak can lead to catastrophic gearbox failure due to loss of oil if not detected and corrected.





If you detect corrosion on the location shown above do not attempt to clean or reuse this housing. The corrosion is harder than the aluminum. This housing must be replaced.



Inspection and cleaning of the sealing surface for the cap o-ring is important to avoid this damage. When cleaning is required DO NOT use power tools or grinders to clean the sealing area as this can damage the housing beyond repair. Gently scrape by hand or use abrasive paper to clean the area. If the area cannot be reliably cleaned or there is damage to the sealing surface for the o-ring, the housing must be replaced.



Filter housings that show normal dirt build up (left image) can be cleaned with a Scotchbrite pad or equal. Some residual staining of the aluminum housing (right image) may still be present after cleaning. Clean the threads and sealing surfaces before reassembly. Apply a small amount of silicone grease that meets the specification below on the o-ring, filter housing sealing area and the cap flange below the o-ring prior to assembly to help seal out moisture and dirt. There must be enough grease present to allow squeeze-out under the flange so the dirt and moisture is sealed out of the area of concern. Clean the filter cap of any excess grease squeeze-out after assembly to prevent giving false impression of a leak.



Silicone grease

Base	Silicone
Consistency	NLGI 2
Thickener	Lithium soap
Temperature range	-70°C to +160°C

Approved cleaning pad red or green Scotchbrite pad or equal.

