



**Countries:** CANADA, UNITED STATES  
**Availability:** ISIS, IsSIR  
**Major System:** ENGINES  
**Current Language:** English  
**Other Languages:** NONE  
**Viewed:** 60

**Document ID:** IK1201471  
**Revision:** 0  
**Created:** 5/25/2022  
**Last Modified:** 6/13/2022  
**Author:** Mujtaba Aidroos

[Less Info](#)

Hide Details

Coding Information

<b>Copy Link</b> 	<b>Copy Relative Link</b> 	<b>Bookmark</b>  <a href="#">View My Bookmarks</a>	<b>Add to Favorites</b> 	<b>Print</b> 	<b>Provide Feedback</b> 	<b>Helpful</b>  1	<b>Not Helpful</b>  0
----------------------	-------------------------------	--	-----------------------------	------------------	-----------------------------	-------------------------	-----------------------------

**Title:** HX Band Clamp Assembly Installation Guide

**Applies To:** HX

## **CHANGE LOG**

Please refer to the change log text box below for recent changes to this article:

5/25/2022 - Article Creation

## **DESCRIPTION**

This document will guide the user through installing clamp assembly 2522951C91(P640821)

## **SYMPTOM(s)**

N/A

**Diagnostic Trouble Code(s) & Dashboard Indicator Light(s):**

DTC/Light	Description
N/A	N/A

## **SPECIAL TOOL(s) / SOFTWARE**

Tool Description
3/8" socket
Calibrated inch pound torque wrench

[Tools Resource Center](#)

---

## **SERVICE PARTS INFORMATION**

Installation Instructions are applicable to the following Navistar and Donaldson part numbers:

<b>Kit Description</b>	<b>Part Number</b>	<b>Notes</b>
Clamp Assembly	2522951C91	
Air Cleaner Assembly, LH	4132501C91	
Air Cleaner Assembly, RH	4132487C91	
Air Cleaner Assembly, LH	4132131C91	
Air Cleaner Assembly, RH	4132128C91	
Clamp Assembly	P640821	<b><u>Donaldson Part Numbers</u></b>
Air Cleaner Assembly, Kit	X012074, X012075	<b><u>Donaldson Part Numbers</u></b>
Air Cleaner Assembly, Kit	X012076, X012077	<b><u>Donaldson Part Numbers</u></b>

---

**WARNING!** To prevent property damage, personal injury, and / or death, park vehicle on a hard, flat surface, turn the engine off, set the parking brake, and install wheel chocks to prevent the vehicle from moving in either direction.

**WARNING!** To prevent property damage, personal injury, and / or death, if the vehicle must be raised, do not work under the vehicle supported only by jacks. Jacks can slip or fall over.

**WARNING!** To prevent personal injury and / or death, always wear safe eye protection when performing vehicle maintenance.

**WARNING!** To prevent property damage, personal injury, and / or death, keep flames or sparks away from vehicle and do not smoke while servicing the vehicle's batteries. Batteries expel explosive gases.

**WARNING!** To prevent property damage, personal injury, and / or death, remove the ground cable from the negative terminal of the battery box before disconnecting any electrical components. Always connect the ground cable last.

## **Installation Instructions:**

1. Prior to clamp removal note the orientation relative to the outlet tube and location of the 5/16 in bolts.

2. Clamp Installation Torque Range:

**Minimum Torque 80 In Lbs. - Maximum torque 100 In Lbs.**

**CAUTION:**

Gap between the band clamp tabs is not an indication of installation torque or of correct installation, Figure 1.

**CAUTION:**

Stop applying torque if the clamp band tabs make contact, Figure 1.

**CAUTION:**

Band clamp installation as well as removal can cause physical damage including dents and cosmetic damage such as scratching of the air cleaner's brightly polished exterior. Do not drag the band clamp across the air cleaner surface either during removal or installation. Slightly open the clamp to help facilitate damage free removal or installation. Dragging a band clamp over the air cleaner's polished metal surface can result in scratching and or rub marks.

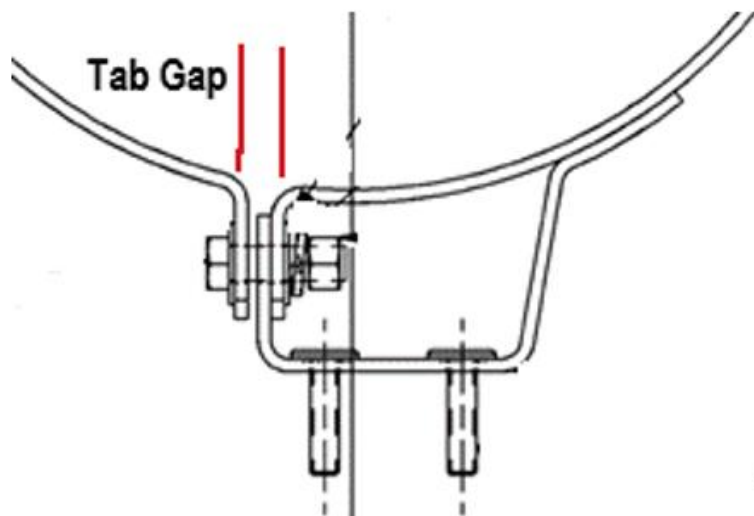


Figure 1: 2522951C91 Clamp

3. In the case the top band assembly is being replaced note the location of the formed bead on the air cleaner body, Figure 2.

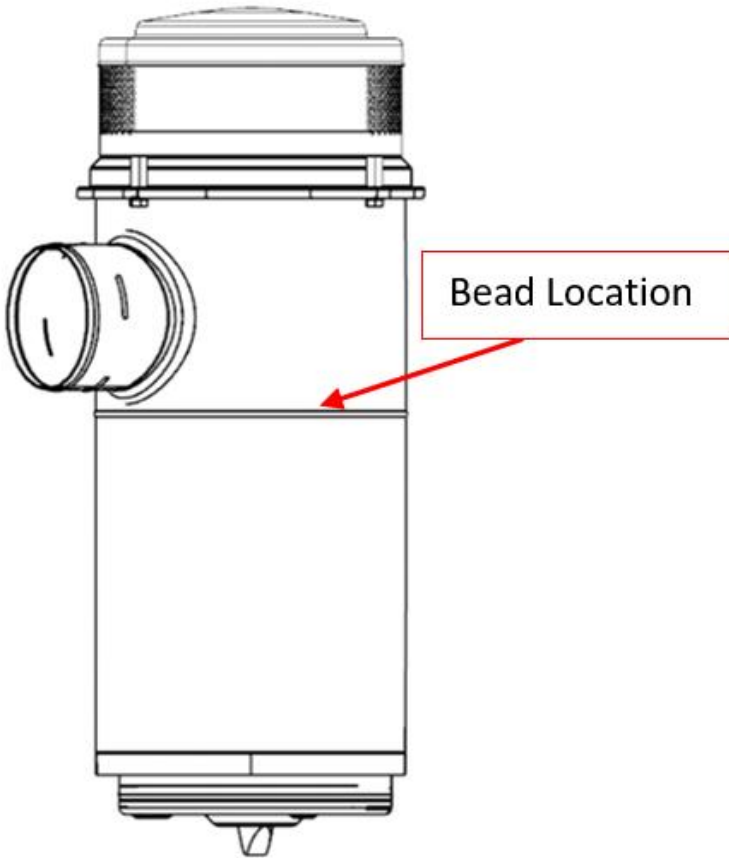


Figure 2

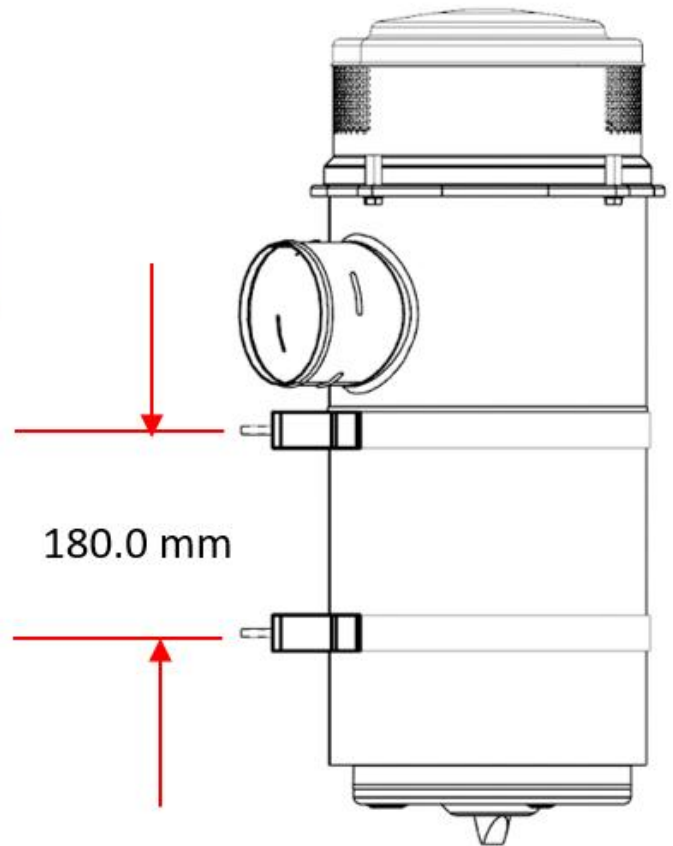


Figure 3

4. Position the new band assembly directly next to and below the formed bead, Figure 3. The band clamp should **not** be covering any part of the bead. The band clamp should be located next to but not covering any part of the bead.

5. Figure 3 shows both band clamp assemblies installed with the 5/16 in bolts oriented for assembly onto the truck.

## WARRANTY INFORMATION

### **Warranty Claim Coding:**

Refer to the [Warranty Coding Manual](#) for Group and Noun Codes.

### **Standard Repair Time(s):**

Refer to the [SRT Manual](#) for Repair Times

## OTHER RESOURCES

[Master Service Information Site](#)

[Hide Details](#)

### Feedback Information

Viewed: 59  
Helpful: 1  
Not Helpful: 0

No Feedback Found

