

Special Bulletin

SP22-309.

Date	Expiration	Release	Page
06.2022	06.2024	1	1(8)

First Release .

06-16-2022

CHANGE ORDER NO.7 - ABLE Provision. Harness Installation

Prevost vehicles

DESCRIPTION

On the vehicles affected by this bulletin, install 5 new circuits, connector & connection to VEC module and BHS harness. See procedure included in this document.

MODEL YEAR(S) AND VEHICLES INVOLVED

NOTICE TO SERVICE CENTERS		
<i>Verify vehicle eligibility by checking warranty bulletin status with SAP or via ONLINE WARRANTY SYSTEM available on Service / Warranty tab of Prevost website.</i>		
Model	VIN	Fleet Number
X3-45 Commuter Model Year: 2021	From 4RKJ33492 <u>M9737751</u> up to 4RKJ33496 <u>M9737784</u> incl.	From 1300 to 1326 incl From 1382 to 1405 incl From 1430 to 1466 incl
This bulletin does not necessarily apply to all the above-mentioned vehicles, some vehicles may have been modified before delivery.		

Special Bulletin

SP22-309.

Date	Expiration	Release	Page
06.2022	06.2024	1	2(8)

MATERIAL NEEDED

Order kit **SP22-309** which includes the following parts:

Part No.	Description	Qty
0610533	DECAL, M2 EL, FIRST PARCEL RACK	1
561606	CONNECTOR, PED W-PACK 6 PH	1
561567	TERMINAL, PED WEATHER-P PIN 20-18AWG	5
561565	WIRE SEAL PED W-PACK 20-16 GREEN	5
561783	CAVITY PLUG, PED W-PACK GREEN	1
564055	TERMINAL, BUSSMAN SEALED SOCKET 18-16AWG	2
560096	TERMINAL, RING, ST, 22-18,1/4, INS	1

Other material needed: Bulk wire

Part No.	Description
563286	WIRE, 18 AWG, TXL, ORANGE, 125 DEG
562593	WIRE, 18 AWG, TXL, YELLOW, 125 DEG
562590	WIRE, 18 AWG, TXL, RED, 125 DEG
562587	WIRE, 18 AWG, TXL, BLACK, 125 DEG

NOTE

Material can be obtained through regular channels.

Date	Expiration	Release	Page
06.2022	06.2024	1	3(8)

SAFETY PRECAUTIONS

- Eye protection should always be worn when working in a shop.
- Rules for Personal Protection Equipment should always be respected. Wear your PPE including but not limited to the following:



**Safety
First!**



Date	Expiration	Release	Page
06.2022	06.2024	1	4(8)

PROCEDURE



DANGER

Park vehicle safely, apply parking brake, stop the engine. Prior to working on the vehicle, set the ignition switch to the OFF position and trip the main circuit breakers equipped with a trip button. On Commuter type vehicles, set the battery master switch (master cut-out) to the OFF position.

Lockout & Tag out (LOTO) must be performed during set-up, maintenance or repair activities. Refer to your local procedure for detailed information regarding the control of hazardous energy.

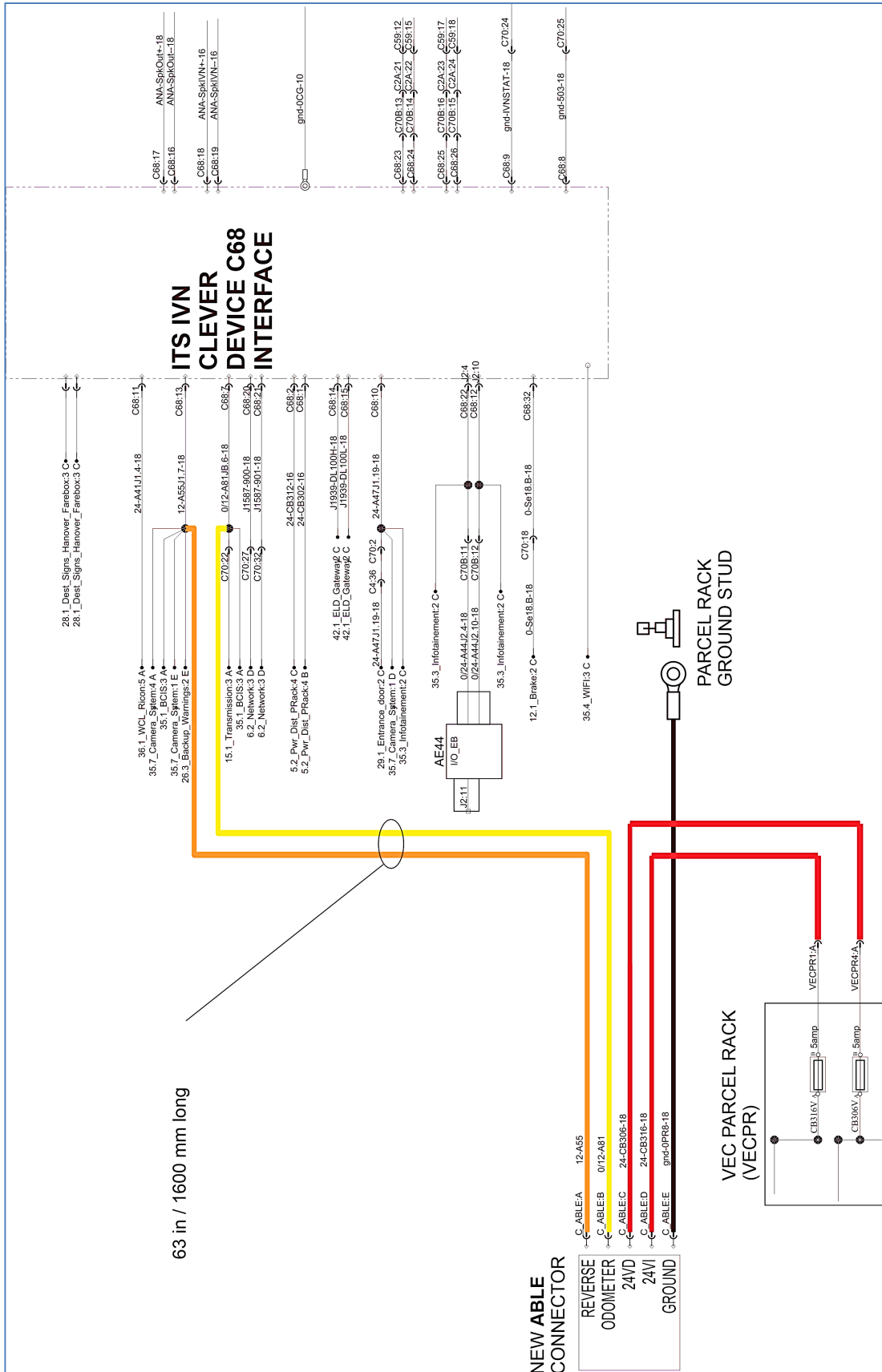
1. Install 5 new circuits and connector PED WEATHER-PACK 561606 along with terminal, seals and one plug. The new harness must measure 1600 mm long (63 in) from the node to C68 harness. Respect the circuits color code.
2. Connect the following circuits to the VEC (VECPR) located in the parcel rack.

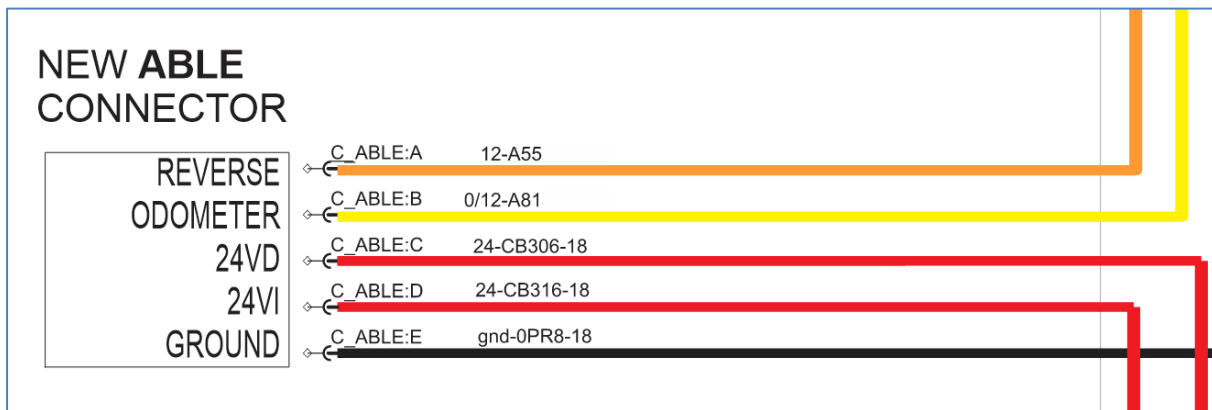
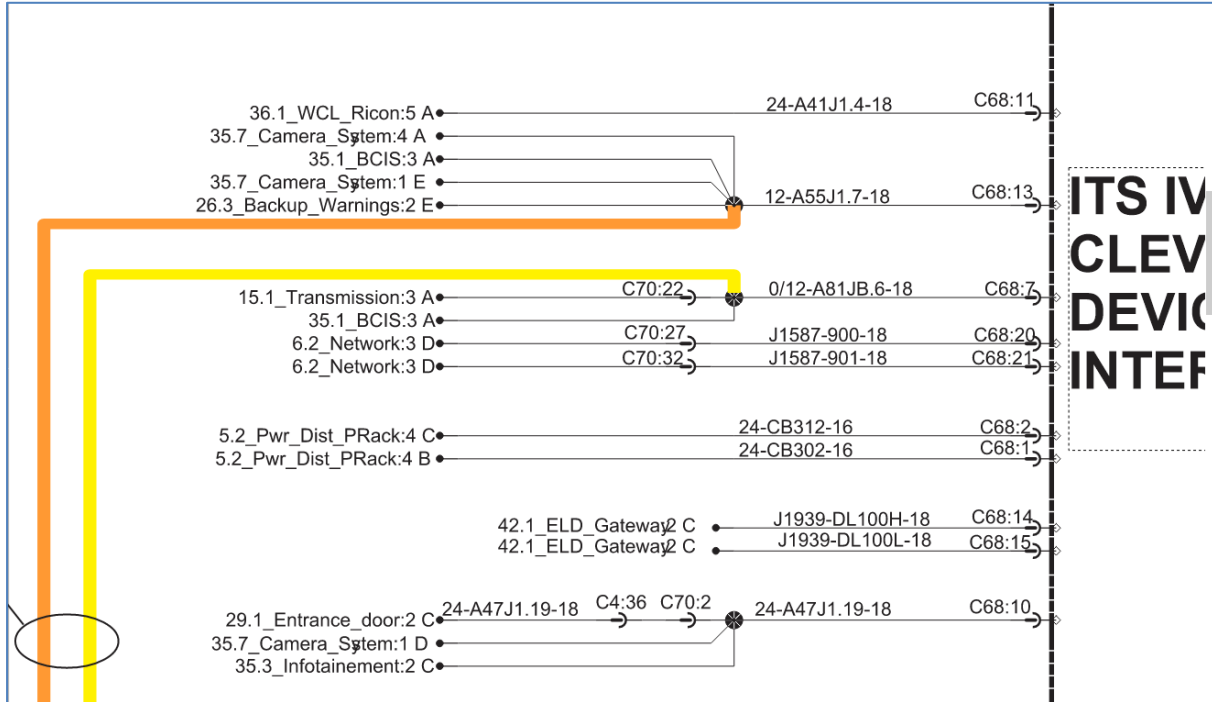
Circuit CD316 to VECPR connector 1 pin A

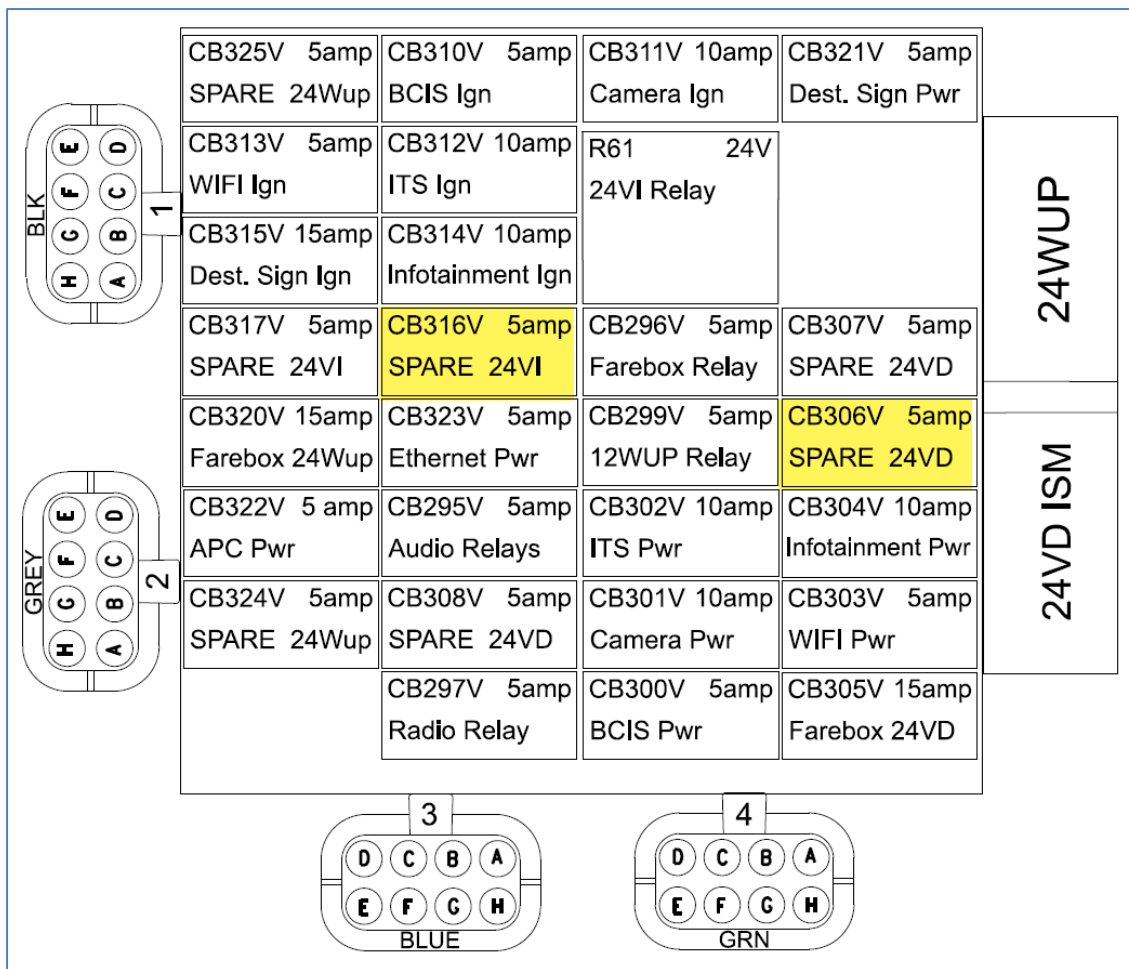
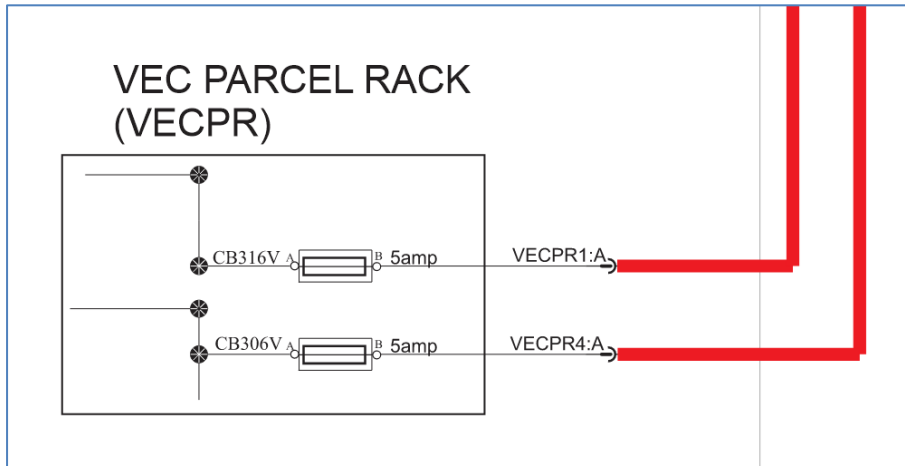
Circuit CD316 to VECPR connector 4 pin A

Circuit OPR8 to the parcel rack ground stud

3. Secure the new harness using nylon ties.
4. Apply new decal 0610533.







VECPR (VEC PARCEL RACK)

Special Bulletin

SP22-309.

Date	Expiration	Release	Page
06.2022	06.2024	1	8(8)

PARTS / WASTE DISPOSAL

Discard waste according to applicable environmental regulations (Municipal/State [Prov.]/ Federal)

ESTIMATED TIME

The ALLOWED time to perform this special bulletin is 50 minutes (0.83 h).

OTHER

VBC Bulletin	N/A
Fail Code	06.13
Defect Code	09
Syst. Cond	B
Causal Part	401426

Access all our Service Bulletins on <http://techpub.prevostcar.com/en/> or scan the QR-Code with your smart phone.



Prevost engages in a continuous program of testing and evaluating to provide the best possible product. Prevost, however, is not committed to, or liable for updating existing products.