

# Special Bulletin

# SP22-308.

Date	Expiration	Release	Page
06.2022	06.2024	1	1(5)

First Release .

06-01-2022

CHANGE ORDER NO.7 - ABLE Provision. Video Plate Installation  
Prevost vehicles

## DESCRIPTION

On the vehicles affected by this bulletin, perform the following procedure.

## MODEL YEAR(S) AND VEHICLES INVOLVED

<b>NOTICE TO SERVICE CENTERS</b>		
<i>Verify vehicle eligibility by checking warranty bulletin status with <b>SAP</b> or via <b>ONLINE WARRANTY SYSTEM</b> available on Service / Warranty tab of Prevost website.</i>		
Model	VIN	Fleet Number
X3-45 Commuter Model Year: 2021	From 4RKJ33492 <u>M9737751</u> up to 4RKJ33490 <u>M9737828</u> incl.	From 1300 to 1326 incl From 1382 to 1386 incl From 1557 to 1587 incl
This bulletin does not necessarily apply to all the above-mentioned vehicles, some vehicles may have been modified before delivery.		

## MATERIAL NEEDED

Order kit **SP22-308** which include the following part:

Part No.	Description	Qty
402192	PLATE VIDEO 04, SECOND COMPARTMENT	1

### NOTE

*Material can be obtained through regular channels.*

---

Date	Expiration	Release	Page
06.2022	06.2024	1	2(5)

### SAFETY PRECAUTIONS

- Eye protection should always be worn when working in a shop.
- Rules for Personal Protection Equipment should always be respected. Wear your PPE including but not limited to the following:



**Safety  
First!**



Date	Expiration	Release	Page
06.2022	06.2024	1	3(5)

## PROCEDURE

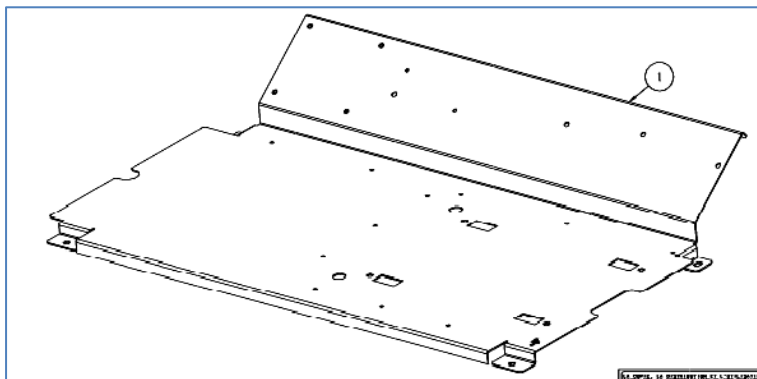


### DANGER

Park vehicle safely, apply parking brake, stop the engine. Prior to working on the vehicle, set the ignition switch to the OFF position and trip the main circuit breakers equipped with a trip button. On Commuter type vehicles, set the battery master switch (master cut-out) to the OFF position.

Lockout & Tag out (LOTO) must be performed during set-up, maintenance or repair activities. Refer to your local procedure for detailed information regarding the control of hazardous energy.

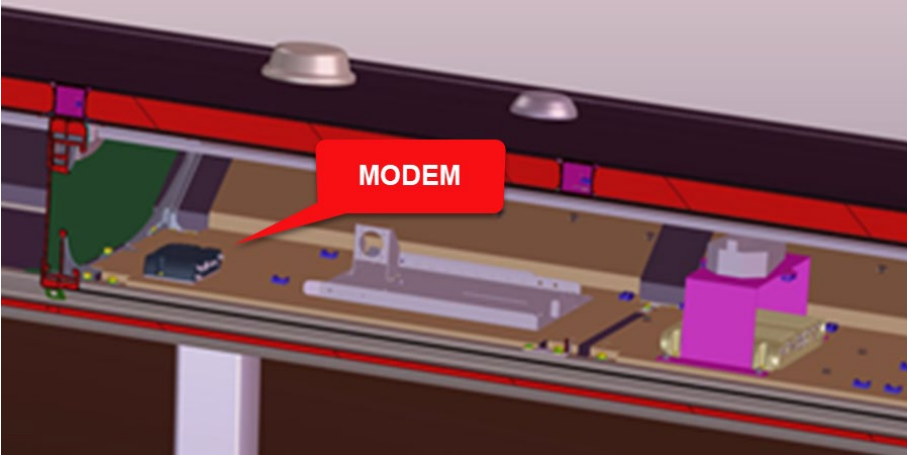
1. If proceeding on VIN 4RKJ33498M9737768, inspect first. This vehicle may have already been corrected.



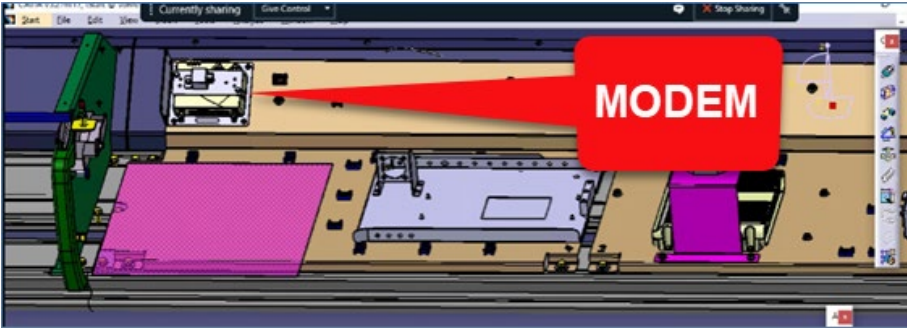
Date	Expiration	Release	Page
06.2022	06.2024	1	4(5)

3. Relocate the modem as shown.

Before



After



# Special Bulletin

# SP22-308.

Date	Expiration	Release	Page
06.2022	06.2024	1	5(5)

## PARTS / WASTE DISPOSAL

Discard waste according to applicable environmental regulations (Municipal/State [Prov.]/ Federal)

## ESTIMATED TIME

The ALLOWED time to perform this special bulletin is 2 ¼ hours ((2.25 h).

## OTHER

VBC Bulletin	N/A
Fail Code	06.13
Defect Code	09
Syst. Cond	B
Causal Part	401426

Access all our Service Bulletins on  
<http://techpub.prevostcar.com/en/>  
or scan the QR-Code with your smart phone.



Prevost engages in a continuous program of testing and evaluating to provide the best possible product. Prevost, however, is not committed to, or liable for updating existing products.