

Technical Journal

TITLE:

Steering column cover, squeaking noise

REF NO: TJ 35892.2.0	ISSUING DEPARTMENT: Technical Service	CAR MARKET: United States and Canada	
PARTNER: 3 US 7510 Volvo Car USA		ISSUE DATE: 2022-02-04	STATUS DATE: 2022-02-09
FUNC GROUP: 6415	FUNC DESC: STEER WHEEL, COLUMN, COLUMN LOCK, SHAFT	Page 1 of 11	

“Right first time in Time”

Attachment

File Name	File Size
Noise.mp4	4.9677 MB
TJI-520658-1_1_0_en-US.pdf	3.0784 MB

Rows beginning with * are modified

Note! If using a printed copy of this Technical Journal, first check for the latest online version.

DESCRIPTION:

*This version of this TJ corrects previous version that had been changed by mistake.

If customer complains of a scratching noise from the steering wheel when turning it, see Service. The noise occurs when the steering wheel is in the lowest and most pushed in position. See attachment Noise.MOV.

CSC Customer Symptom Codes

Code	Description
H4	Steering/Unusual noise/Unsure when/at all times

Technical Journal 35892.2.0

DTC Diagnostic Trouble Codes

Vehicle Type

Type	Eng	Eng Desc	Sales	Body	Gear	Steer	Model Year	Plant	Chassis range	Struc Week Range
256							2016-9999		0000561-0999999	201505-999952

SERVICE:

Apply felt tape, p/n 1161842 according to the attached instruction. Note that there should be two layers of tape!

Warranty claim info:

To get warranty claim accepted for a job described in this TJ, please use the attached VST OP number.

VST Operation Number

VST Operation Number	Description
98762-2	Steering wheel upper cover adjust acc. to TJ 35892

VEHICLE REPORT:

Yes, please submit a Vehicle Report if the service solution described in this TJ has no effect. Use concern area "Vehicle Report" and sub concern area "Support not needed", use function group 6415.

To view TJ attachment continue to next page. This TJ has one attachment and one [sound file](#).



Volvo Car Customer Service

TJ Instruction VCC-520658-1

Title	Panel steering column	Page	1 (9)
Action	Product fix	Operation number:	98762-2

Issue	Date	Reason
1	2021-03	First issue

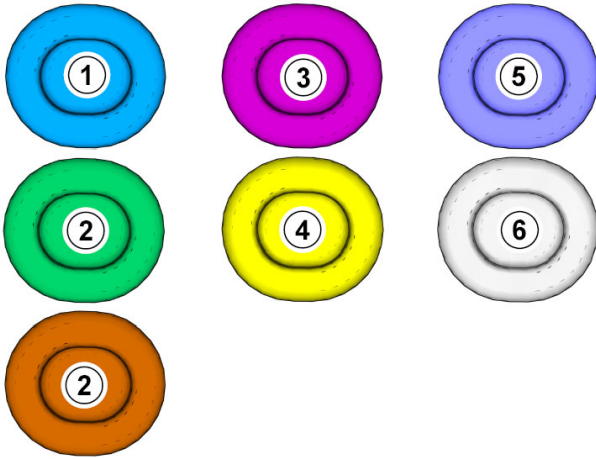
Affected vehicles

Model year	Model
2016, 2017, 2018, 2019, 2020, 2021	XC90 (16-)

Materials

Materials	Qty.	Part No.	Notes
Anti-squeak tape	0.1	1161842	Cut according picture;

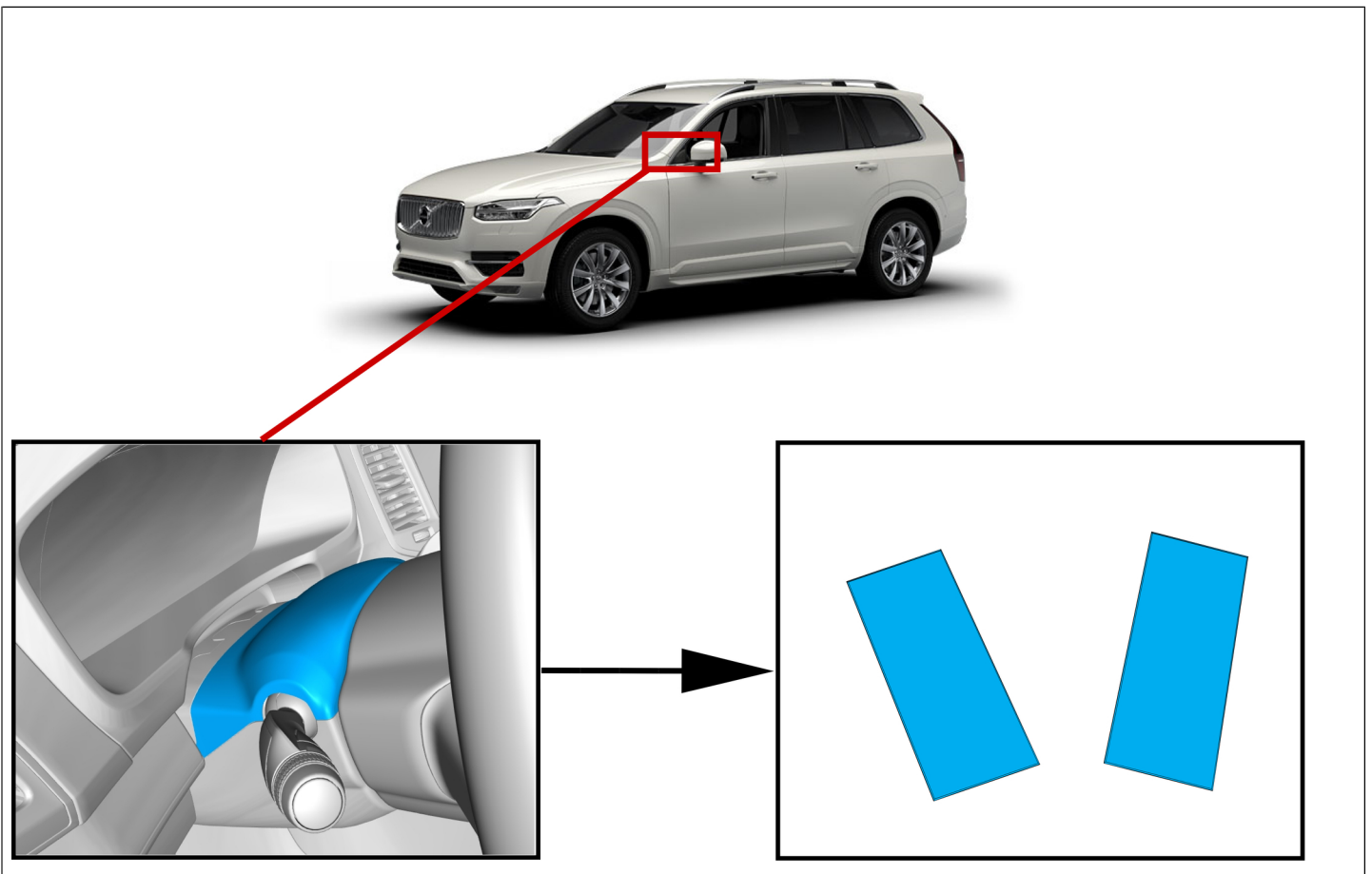
Color symbols



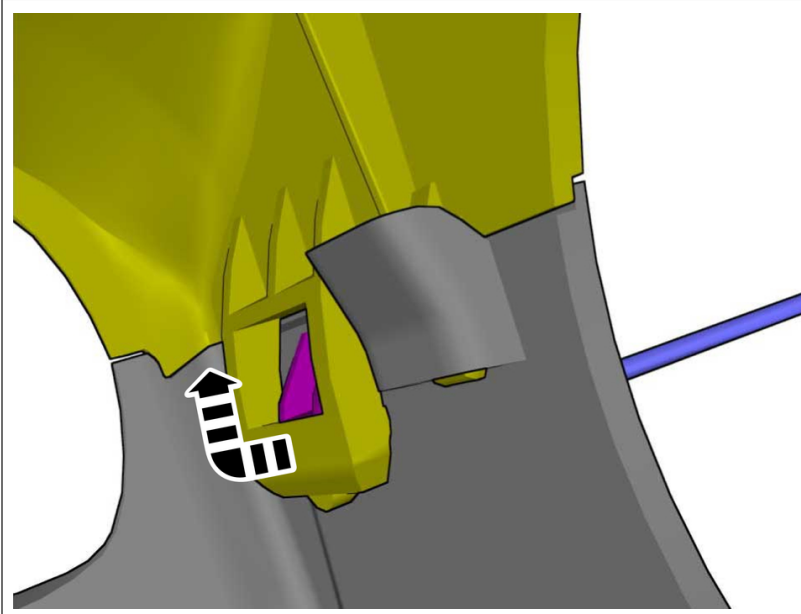
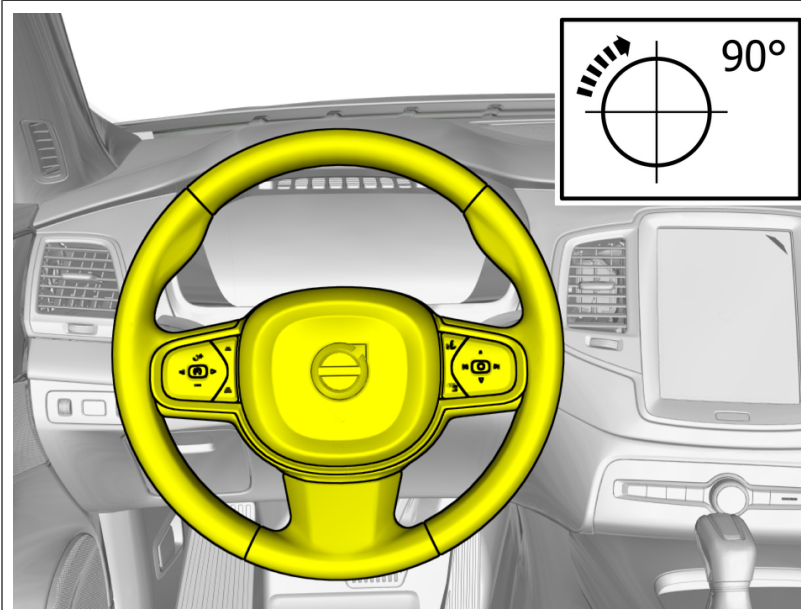
Note! This colour chart displays (in colour print and electronic version) the importance of the different colours used in the images of the method steps.

- 1 . Used for focused component, the component with which you will do something.
- 2 . Used as extra colors when you need to show or differentiate additional parts.
- 3 . Used for attachments that are to be removed/installed. May be screws, clips, connectors, etc.
- 4 . Used when the component is not fully removed from the vehicle but only hung to the side.
- 5 . Used for standard tools and special tools.
- 6 . Used as background color for vehicle components.

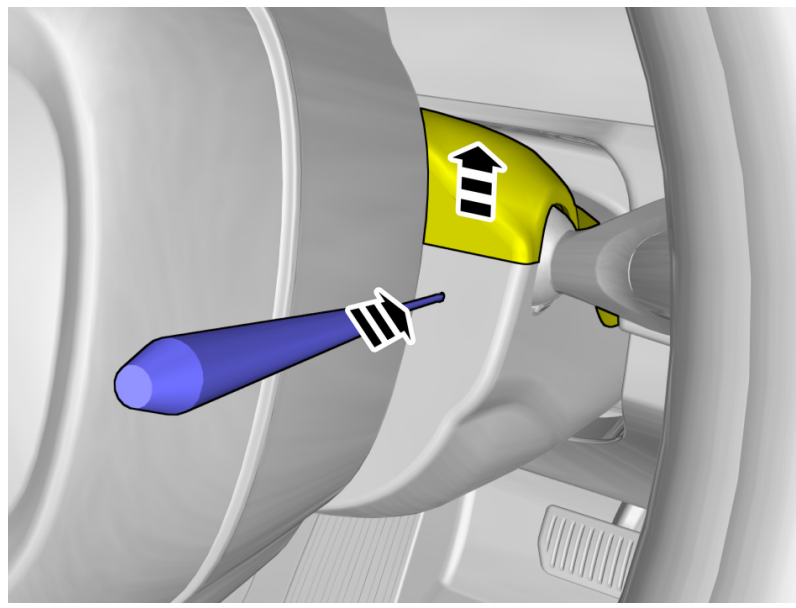
Orientation view



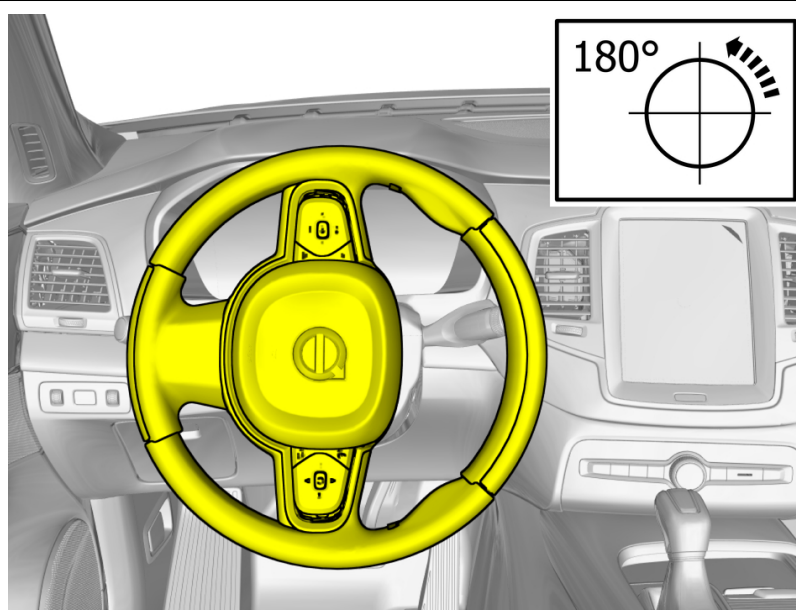
Removal

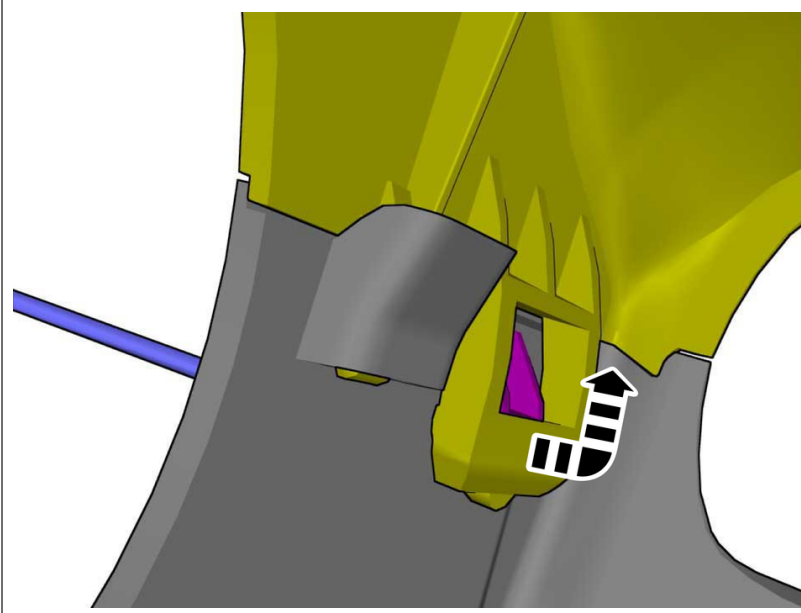


Note! The graphic shows the back of the component before removal.

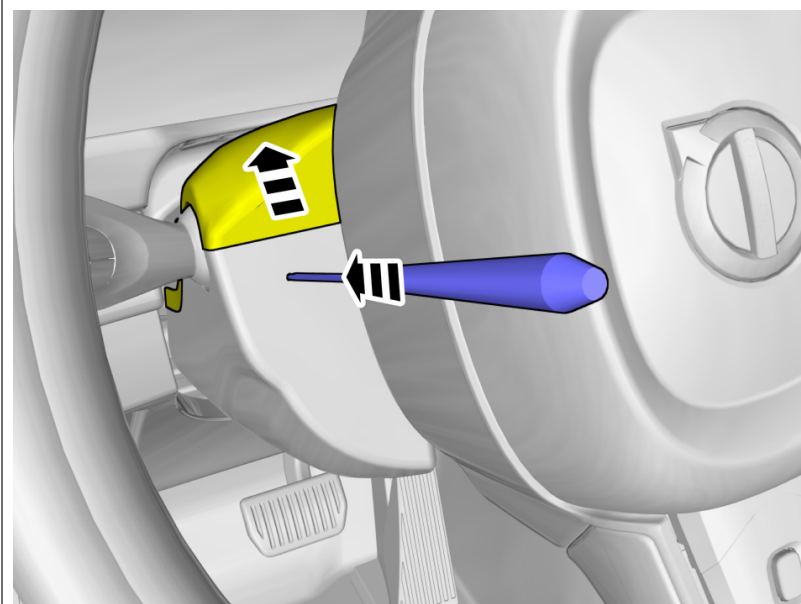


Release the lock.

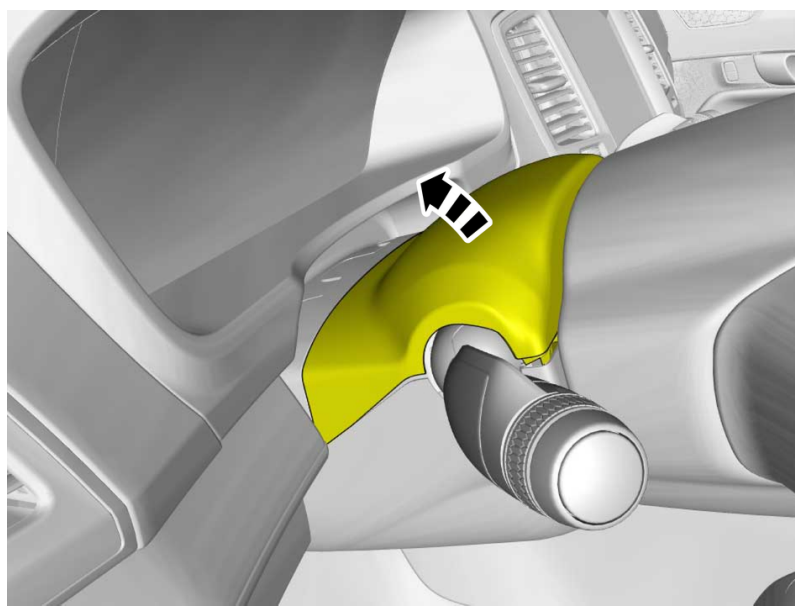
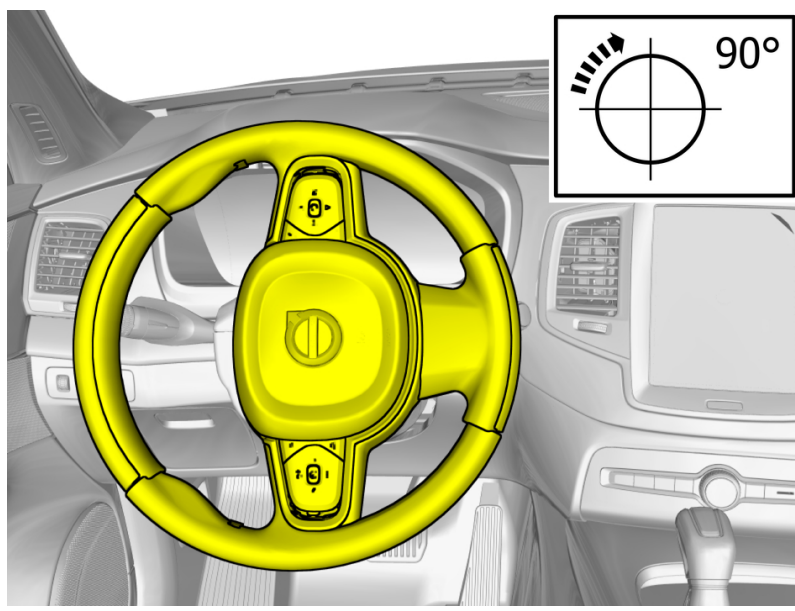




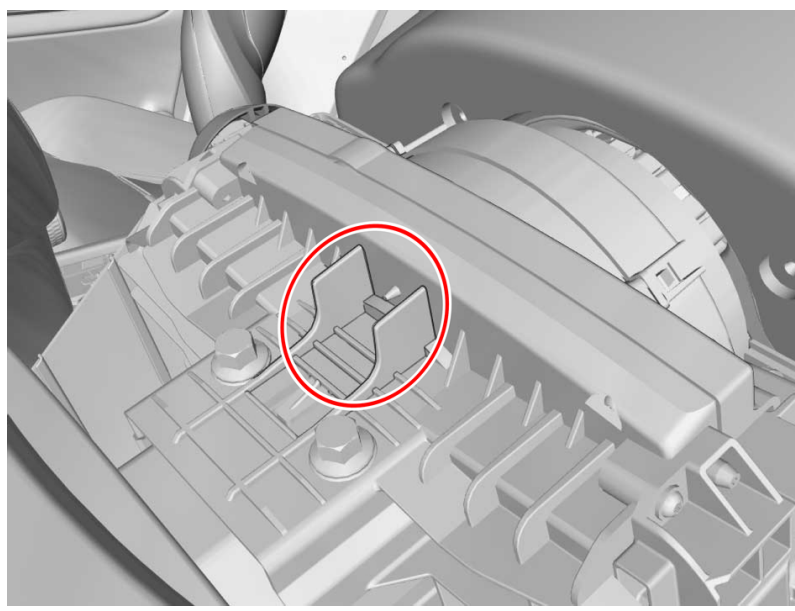
Note! The graphic shows the back of the component before removal.



Release the lock.

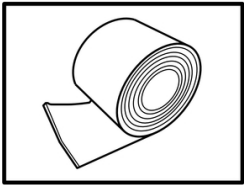


Fold marked part aside.

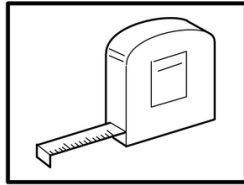
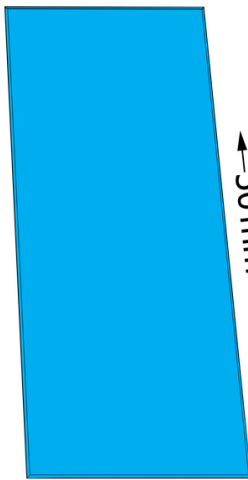


Note! Orientation view

Installation

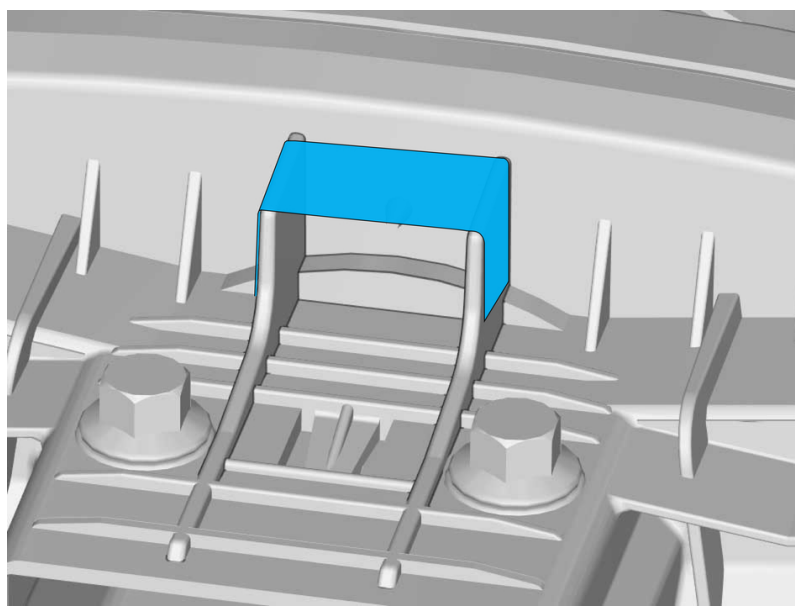


←20 mm→

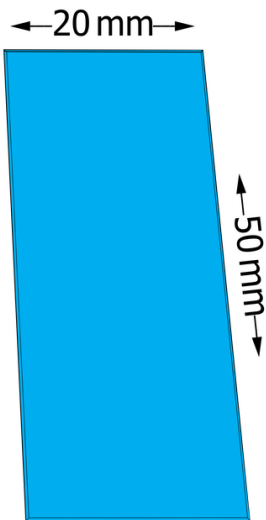


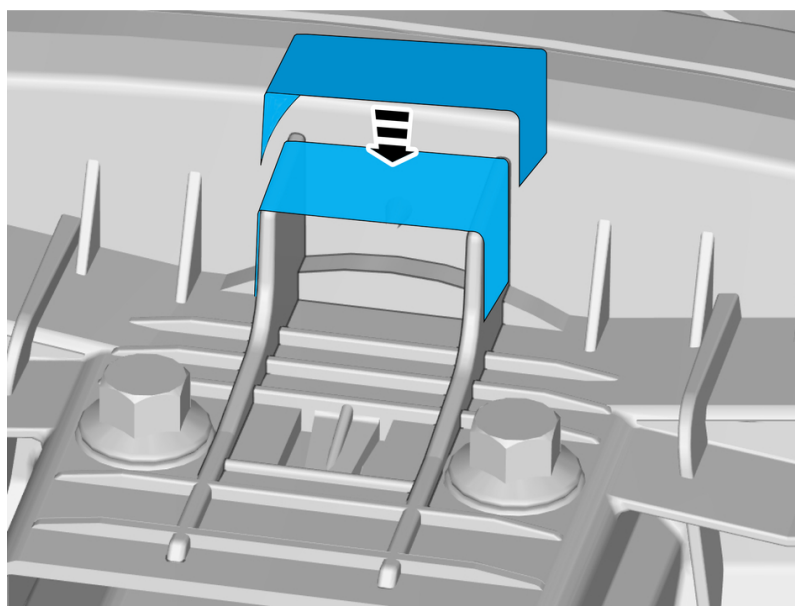
Use: Anti-squeak tape , 1161842

x2



Apply tape.
Place the component where indicated in the graphic.





Note! Ensure that the tape is fixed to the surface.

Place the component where indicated in the graphic.

Installation

To install, reverse the removal procedure.