



Service Bulletin

Bulletin No.: 22-NA-024

Date: May, 2022

TECHNICAL

Subject: Vibration, Hum or Drone Noise Heard from Front of Vehicle While Driving at Highway Speeds

Brand:	Model:	Model Year:		VIN:		Engine:	Transmission:
		from	to	from	to		
Chevrolet	Bolt EUV	2022	2022	—	—	All	All

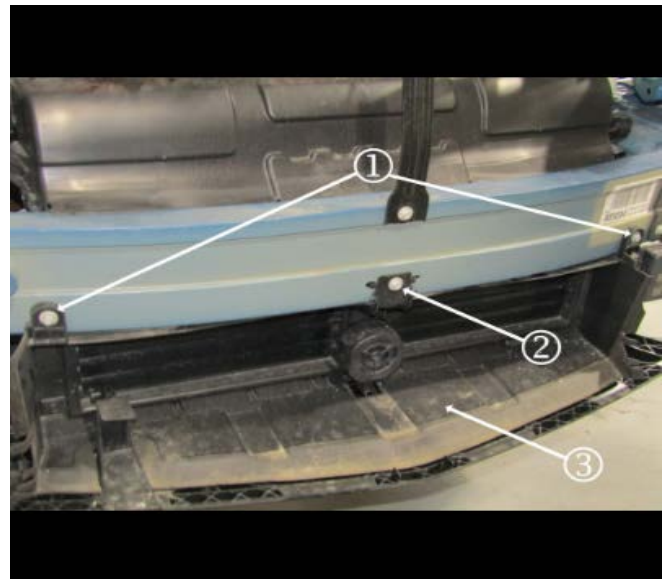
Involved Region or Country	North America, Middle East, GM Korea Company
Condition	Some customers may comment on hearing a vibration, hum or drone noise coming from the front of the vehicle while driving at highway speeds (65–96 km/h, 40–60 mph).
Cause	The cause of the condition may be a gap between the front bumper beam and the CRFM baffle assembly. This gap causes the upper valence of the CRFM baffle assembly to vibrate against the bumper beam, thus generating the noise.
Correction	R & R the front fascia and install foam tape (Adhesive Backed Shim Stock) to the CRFM baffle, following the steps in the Service Procedure below.

Service Procedure



5971989

1. Remove the front fascia assembly. Refer to *Front Bumper Fascia Removal and Installation* in the Service Manual



5971990

2. Remove the 2 top radiator lower air baffle bolts (1) in order to access the top surface of the baffle. Refer to *Radiator Air Lower Baffle and Deflector Replacement* in the Service Manual.
3. If equipped, remove the pedestrian sound alert speaker bracket bolt (2) and let the speaker/ bracket rest on the floor surface (3) of the baffle. Refer to *Pedestrian Sound Alert Speaker Replacement* in the Service Manual.



5971991

4. Pull forward the top of the radiator lower air baffle and position it away from the bumper beam.
5. Clean any dirt or residue from the top surface of the baffle.



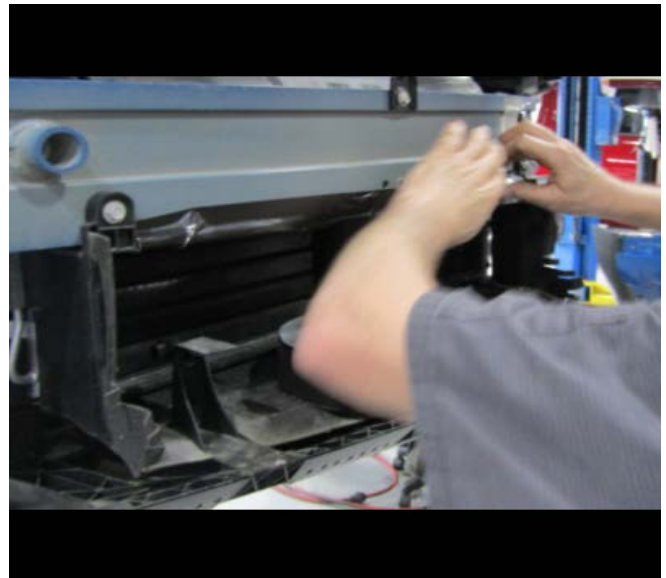
5971996

6. Cut a 67.3 cm (26.5 in) length piece of Kent Automotive Adhesive Backed Shim Stock # P46510, or equivalent.



5971993

7. Apply and firmly press the tape along the full length of the baffle top surface.
8. Reposition the lower air baffle to the bumper beam and reinstall the 2 top bolts. Refer to *Radiator Air Lower Baffle and Deflector Replacement* in the Service Manual.



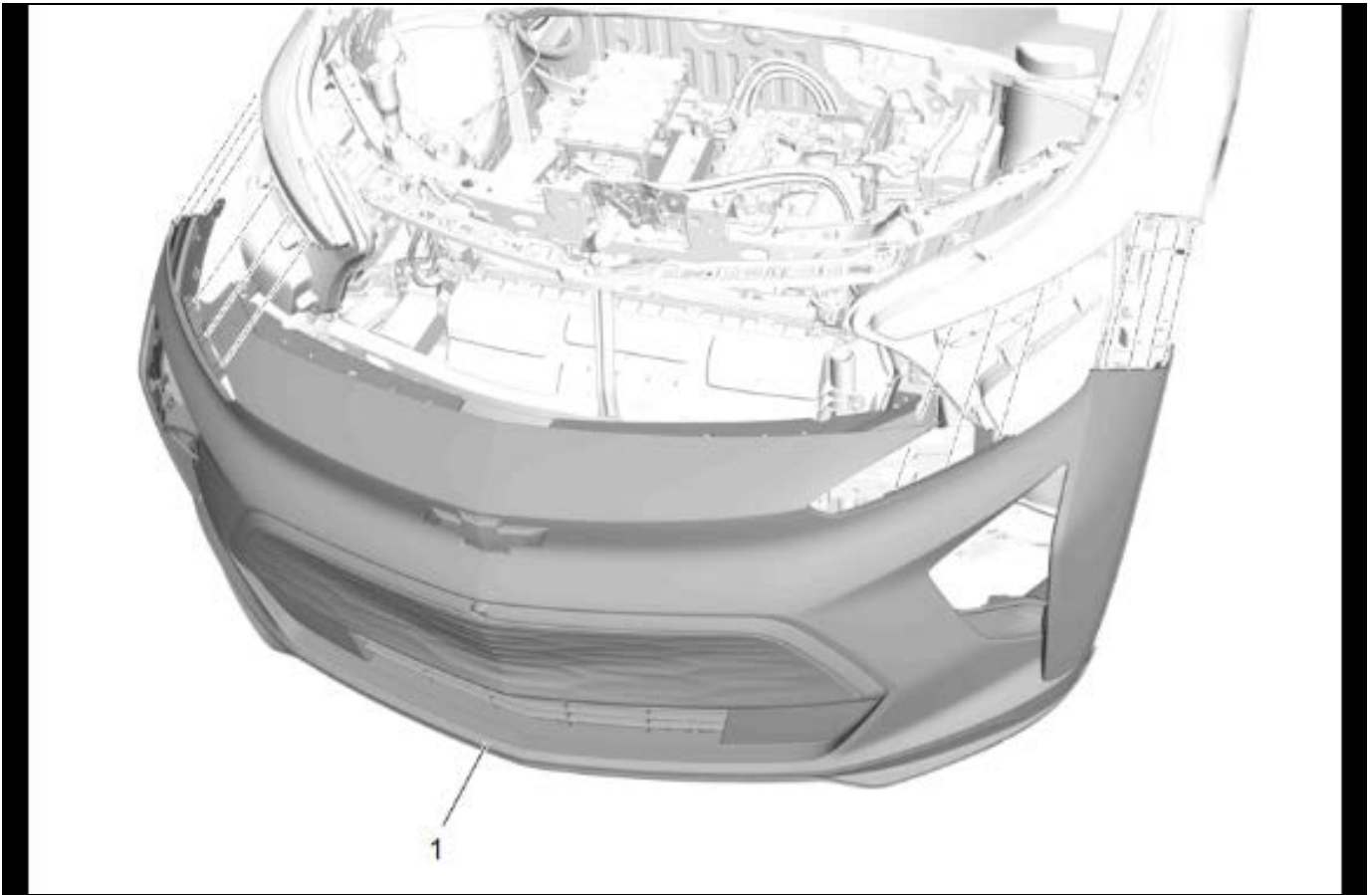
5971995

9. Apply a length of black duct tape, obtained locally, covering the foam tape and securing it to the bumper beam.



5971997

10. Reinstall the pedestrian sound alert speaker/ bracket (1), if removed. Refer to *Pedestrian Sound Alert Speaker Replacement* in the Service Manual



11. Reinstall the front fascia assembly (1). Refer to *Front Bumper Fascia Removal and Installation* in the Service Manual

5662711

Parts Information

* We believe this source and their products to be reliable. There may be additional manufacturers of such products/materials. General Motors does not endorse, indicate any preference for, or assume any responsibility for the products or material from this firm or for any such items that may be available from other sources.

Contact Kent Automotive at 1-888-YES-KENT or online at www.kent-automotive.com.

Causal Part	Description	Part Number	Material Allowance
N/A	Kent Automotive Adhesive Backed Shim Stock (5/16" thickness, 1" width)	P46510	\$2.90 U.S. (\$4.35 Canada)

Warranty Information

For vehicles repaired under the Bumper-to-Bumper coverage (Canada Base Warranty coverage), use the following labor operation. Reference the Applicable Warranties section of Investigate Vehicle History (IVH) for coverage information.

Labor Operation	Description	Labor Time
2086428*	Remove and Reinstall Front Fascia Assembly, Apply Tapes	1.5 hrs
*This is a unique Labor Operation for bulletin use only.		

Version	2
Modified	Released January 28, 2022 May 20, 2022 – Removed Bolt EV Model and updated Involved Region or Country section.

