

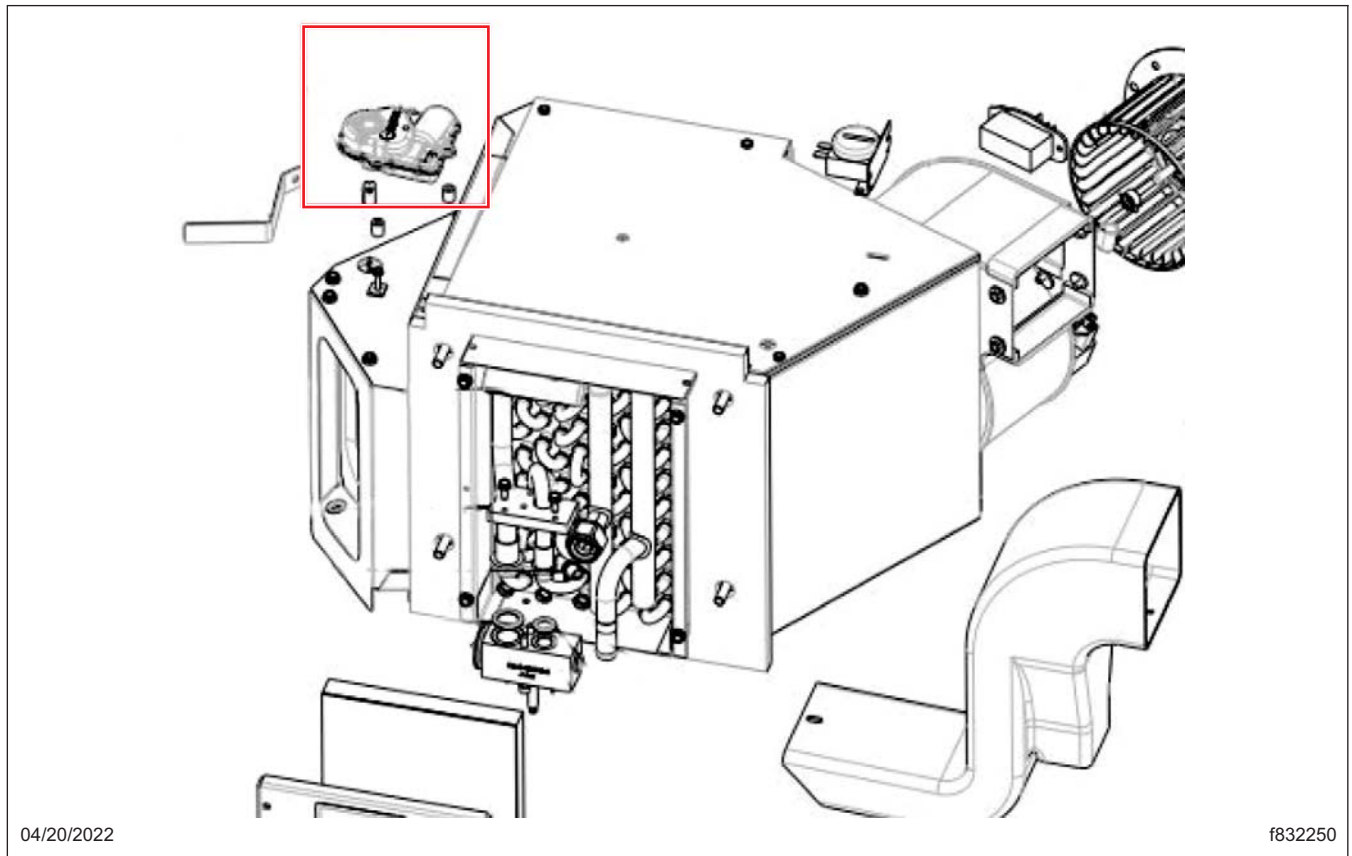
> 4700
4800
> 4900

5700
6900
49X

General Information

This service bulletin applies to Western Star vehicles with Red Dot heating, ventilating, and air conditioning (HVAC) systems manufactured in Portland, OR and Cleveland, NC from December 19, 2005 to December 23, 2020.

The wiring harness of the actuator of the fresh air recirculation door on Western Star vehicles equipped with Red Dot HVAC systems should be inspected for signs of water intrusion and corrosion. See [Fig. 1](#).



04/20/2022

f832250

Fig. 1, Fresh Air Recirculation Door Actuator

If signs of water intrusion or corrosion are found, replace the actuator and wiring using service kit WWS RD-3-9068-0.

NOTE: Windshields are highly consumable items and may be replaced by third party vendors outside of Daimler Truck's knowledge. Leaky windshields may cause progressive corrosion damage to the recirculation door actuator connector pins. Damaged windshields should be replaced as soon as possible.

Before installing the service kit, verify the wiring harness has the correct sealed connector.

Parts

Parts		
Part Number	Description	Quantity
WWS RD-3-9068-0	Actuator and wiring service kit	1

Table 1, Parts

HVAC Actuator Wiring Harness Inspection and Replacement

1. Park the vehicle on a level surface, shut down the engine, and set the parking brake. Chock the tires.
2. Disconnect the battery.
3. Depending on the model, open and remove the glove box liner or PDM3 cover and power distribution module (PDM) to gain access to the actuator.

For instructions, see **Group 60** in the vehicle Workshop Manual.

4. Disconnect the wiring harness from the fresh air recirculation door actuator.
5. Remove the two hexhead screws shown in **Fig. 2** and remove the actuator from the HVAC unit.

NOTE: Each screw has a spacer located between the actuator and HVAC unit.

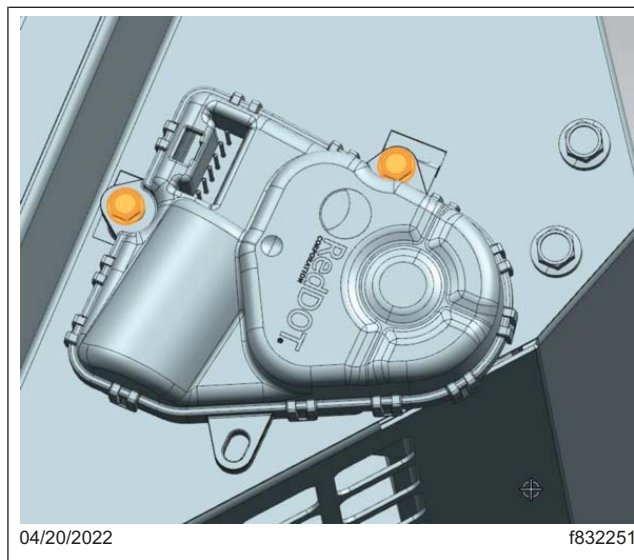


Fig. 2, Actuator Hexhead Screws

6. Inspect the wiring harness connector for corrosion.
 - 6.1 If there is no corrosion, install the actuator on the HVAC unit, connect the wiring harness, and go to step 11.
 - 6.2 If corrosion is found, continue to step 6 to replace the actuator.

> 4700
4800
> 4900

5700
6900
49X

7. Before installing, use a grinder to trim 0.19 inch (3 mm) off the front tab of the new actuator (part number RDHRD3 22065 OP) as shown in [Fig. 3](#).

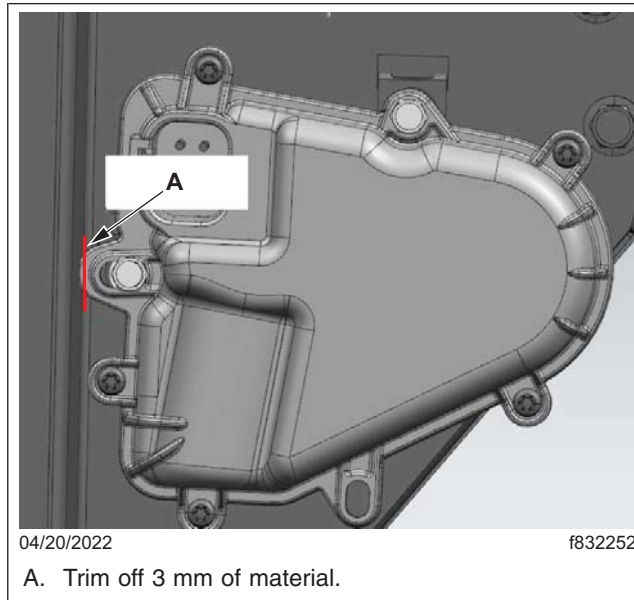


Fig. 3, Area of the Actuator to Trim

8. Install the new sealed actuator using two hexhead screws and spacers as shown in [Fig. 4](#).

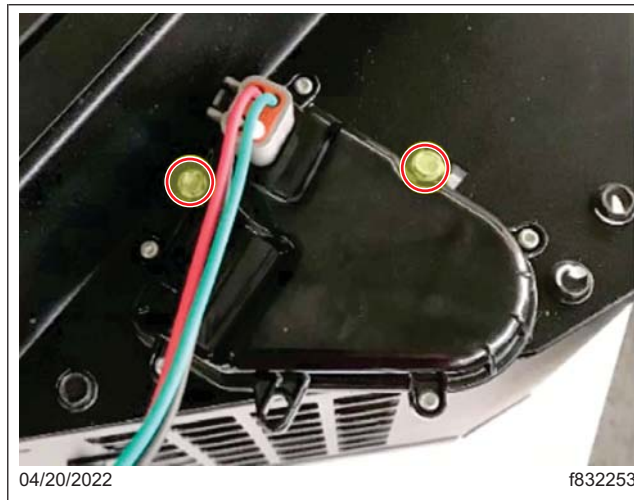


Fig. 4, New Actuator Screws

9. Connect the jumper harness to the new sealed connector on the existing HVAC harness as shown in [Fig. 5](#). Ensure the connectors are fully engaged.

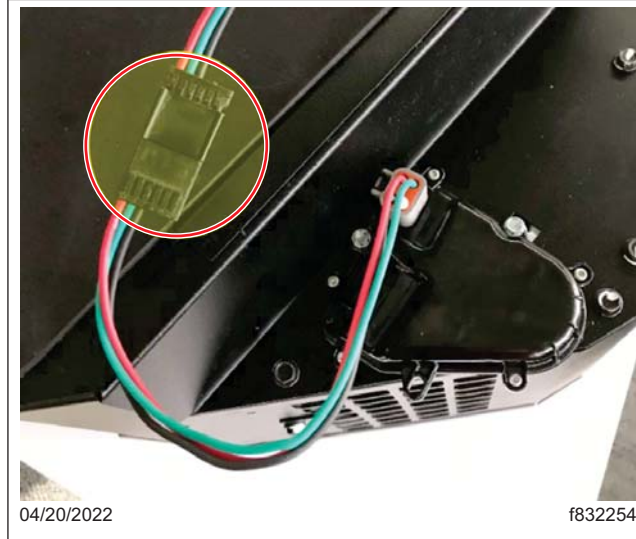


Fig. 5, Jumper Harness Connected to the New Sealed Connector

10. Turn the key ON and observe fresh air door movement to verify the actuator is operating normally. Troubleshoot as necessary.
11. When a functioning actuator is verified, turn the key OFF.
12. Install the glove box lining or PDM3 cover and PDM.
For instructions, see **Group 60** in the vehicle Workshop Manual.
13. Connect the battery.

Warranty

This is an informational bulletin only. Warranty does not apply.