



Service Bulletin

Bulletin No.: 22-NA-095

Date: May, 2022

TECHNICAL

Subject: Front Brake Squeal Noise Heard During Light Brake Pedal Application

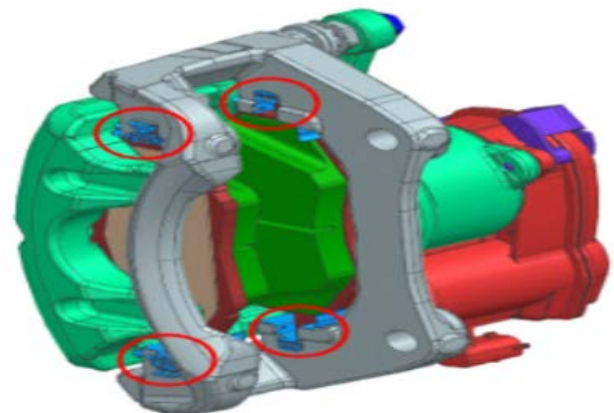
Brand:	Model:	Model Year:		Date Breakpoint		Engine:	Transmission:
		from	to	from	to		
Buick	Encore GX	2021	2022	March 21, 2020	February 14, 2022	All	All
Chevrolet	Trailblazer (VIN M)	2021	2022				

Involved Region or Country	United States, Canada, Except China
Condition	Some customers may comment on hearing a squeal noise originating from the front of the vehicle during light brake pedal application.
Cause	The squeal noise can occur during light brake pedal application at low vehicle speed when the brakes are first applied or lightly applied, such as exiting a parking lot. Occasionally this noise may appear from the front, while in Reverse, after a period of non-use such as overnight, or cold brakes and/or in high humidity conditions.
Correction	<p>Note: Some brake noises are normal characteristics of all brake systems. These noises cannot be avoided and may not indicate improper operation of the brake system. Refer to <i>Disc Brake System Description and Operation</i> in the Service Manual.</p> <p>For vehicles built after March 20, 2020 and before February 15, 2022, remove and reinstall the original front brake disc pads and apply grease following the steps in the Service Procedure below.</p> <p>Note: For vehicles built after February 14, 2022 and displaying the Condition, refer to SI diagnostics.</p>

Service Procedure

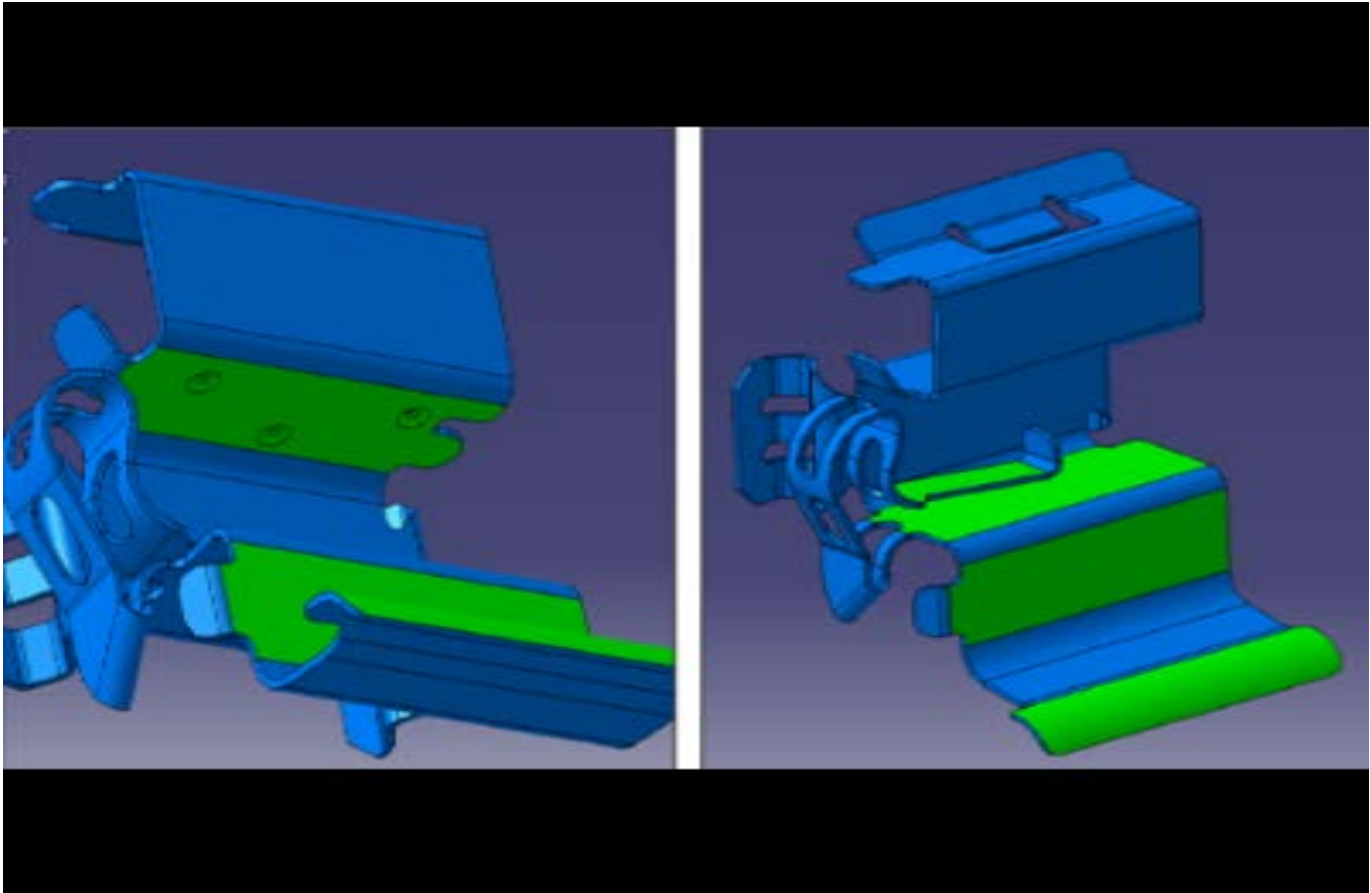
Remove and Reinstall Original Front Brake Disc Pads Service Procedure

1. Remove, and retain, the front brake disc pads. Refer to *Front Disc Brake Pads Replacement* in the Service Manual.



Note: There are 4 Pad abutments per caliper.

6077243



Note: The green area shown above designates the required grease positions.

6077247



6077250

Note: The above graphics are actual grease adding examples.

2. Clean the pad spring abutment area on the caliper and anti-rattle clip.

Note: The recommended grease volume is about 1.1 g per caliper.

3. Apply Molykote M-77 Grease (GM P/N 19356408) on caliper pad spring abutment and clip as shown in the graphic above.
4. Then reinstall the existing pads. Refer to *Front Disc Brake Pads Replacement* in the Service Manual.
5. Verify brake noise has been eliminated.

Parts Information

Causal Part	Description	Part Number	Qty
N/A	MOLYKOTE LUBRICANT, MULTI-PURPOSE M-77 PASTE	19356408 (in Canada, 19356409)	As needed

Warranty Information

For vehicles repaired under the Bumper-to-Bumper coverage (Canada Base Warranty coverage), use one of the following appropriate Labor Operations. Reference the Applicable Warranties section of Investigate Vehicle History (IVH) for coverage information.

Labor Operation	Description	Labor Time
2486228*	Remove and Reinstall Front Disc Brake Pads, Apply Grease	1.0 hr
*This is a unique Labor Operation for bulletin use only.		

Version	2
Modified	Released May 13, 2022 May 20, 2022 – Replaced incorrectly sized graphics and rearranged Notes above Service Procedure step # 2.

