



# Service Bulletin

Bulletin No.: 20-NA-079

Date: May, 2022

## TECHNICAL

**Subject: Front Brake Squeal Noise Heard During Light Brake Pedal Application**

| Brand:    | Model:              | Model Year: |      | Date Breakpoint |                | Engine: | Transmission: |
|-----------|---------------------|-------------|------|-----------------|----------------|---------|---------------|
|           |                     | from        | to   | from            | to             |         |               |
| Buick     | Encore GX           | 2020        | 2021 | SOP             | March 20, 2020 | All     | All           |
| Chevrolet | Trailblazer (VIN M) | 2021        | 2021 |                 |                |         |               |

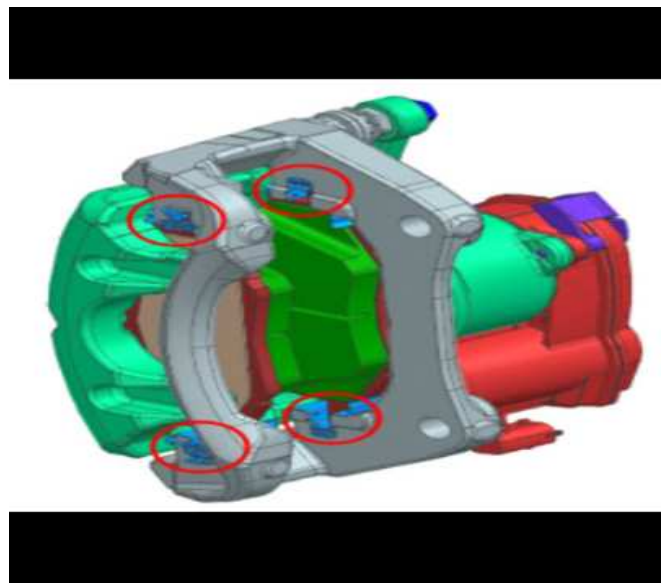
|                                   |  |
|-----------------------------------|--|
| <b>Involved Region or Country</b> | United States, Canada, <b>Except China</b>   |
| <b>Condition</b>                  | Some customers may comment on hearing a squeal noise originating from the front of the vehicle during light brake pedal application.   |
| <b>Cause</b>                      | The squeal noise can occur during light brake pedal application at low vehicle speed when the brakes are first applied or lightly applied, such as exiting a parking lot. Occasionally this noise may appear from the front, while in Reverse, after a period of non-use such as overnight, or cold brakes and/or in high humidity conditions.   |
| <b>Correction</b>                 | <p><b>Note:</b> Some brake noises are normal characteristics of all brake systems. These noises cannot be avoided and may not indicate improper operation of the brake system. Refer to <i>Disc Brake System Description and Operation</i> in the Service Manual.</p> <p>For vehicles within the range of SOP to March 20, 2020, replace the front brake pads and sensors, and apply grease following the steps in the Service Procedure below.</p> <p><b>Note:</b> For vehicles built after March 20, 2020, and before February 15, 2022, see Service Bulletin # 22-NA-095.</p> |

### Service Procedures

#### New Replacement Front Brake Disc Pads and Sensors (if equipped) Service Procedure

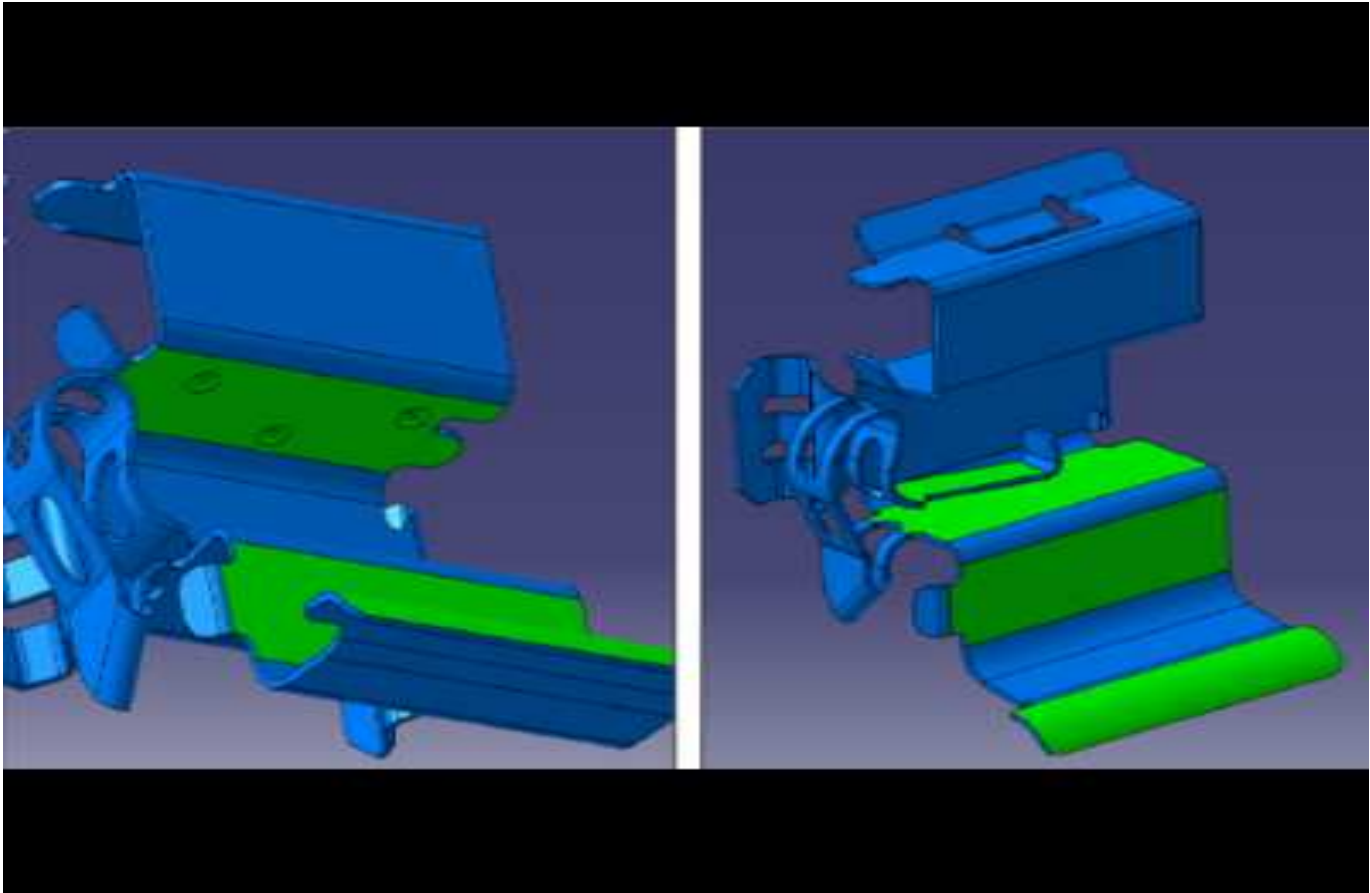
**Important:** Only the Encore GX Models are equipped with brake wear sensors. The Trailblazer Models are NOT equipped with these sensors.

1. Remove the front brake disc pads and sensors (if equipped). Refer to *Front Disc Brake Pads Replacement* in the Service Manual.



**Note:** There are 4 Pad abutments per caliper.

6077243



**Note:** The green area shown above designates the required grease positions.

6077247



6077250

**Note:** The above graphics are actual grease adding examples.

2. Clean the pad spring abutment area on the caliper and anti-rattle clip.

**Note:** The recommended grease volume is about 1.1 g per caliper.

3. Apply Molykote M-77 Grease (GM P/N 19356408) on caliper pad spring abutment and clip as shown in the graphic above.
4. Install new front brake disc pads and sensors (if equipped). Refer to *Front Disc Brake Pads Replacement* in the Service Manual.
5. Verify brake noise has been eliminated.

**Parts Information**

| Causal Part | Description                                   | Part Number                    | Qty       |
|-------------|---|--------------------------------|-----------|
| X           | PAD KIT, FRT DISC BRK                         | 42747910                       | 1         |
| N/A         | FRT DISC BRK PAD WEAR SENSOR (Encore GX Only) | 42726383                       | 1         |
| N/A         | MOLYKOTE LUBRICANT, MULTI-PURPOSE M-77 PASTE  | 19356408 (in Canada, 19356409) | As needed |

**Warranty Information**

For vehicles repaired under the Bumper-to-Bumper coverage (Canada Base Warranty coverage), use one of the following appropriate Labor Operations. Reference the Applicable Warranties section of Investigate Vehicle History (IVH) for coverage information.

| Labor Operation | Description  | Labor Time |
|-----------------|--|------------|
| 2486218*        | Front Disc Brake Pads and Sensor Replacement, Apply Grease | 1.0 hr     |

\*This is a unique Labor Operation for bulletin use only.

|                 |   |
|-----------------|---|
| <b>Version</b>  | 5   |
| <b>Modified</b> | <p>Released July 16, 2020</p> <p>January 19, 2022 – Added Trailblazer Model, added 2022 Model Year, updated Service Procedures, Parts Information and Warranty Information.</p> <p>March 23, 2022 – Added Date Breakpoint and a Second Note to the Correction.</p> <p>May 13, 2022 – Added designations that only Encore GX Models are equipped with brake wear sensors, Trailblazer models are Not equipped with sensors. Moved later Breakpoint and repair to New Bulletin # 22-NA-095, corrected Model Years.</p> <p>May 20, 2022 – Replaced incorrectly sized graphics and rearranged Notes above Service Procedure step # 2.</p> |

