



Service Bulletin

Bulletin No.: 18-NA-150

Date: January, 2022

INFORMATION

Subject: 6.6L Duramax Possible Oil Leak Path Information

Brand:	Model:	Model Year:		VIN:		Engine:	Transmission:
		from	to	from	to		
Chevrolet	Silverado	2017	2018			L5P, L5D	
	Silverado 2500/3500	2019	2022				
	Silverado 4500HD, 5500HD, 6500HD	2019	2022				
GMC	Sierra	2017	2018				
	Sierra 2500/3500	2019	2022				

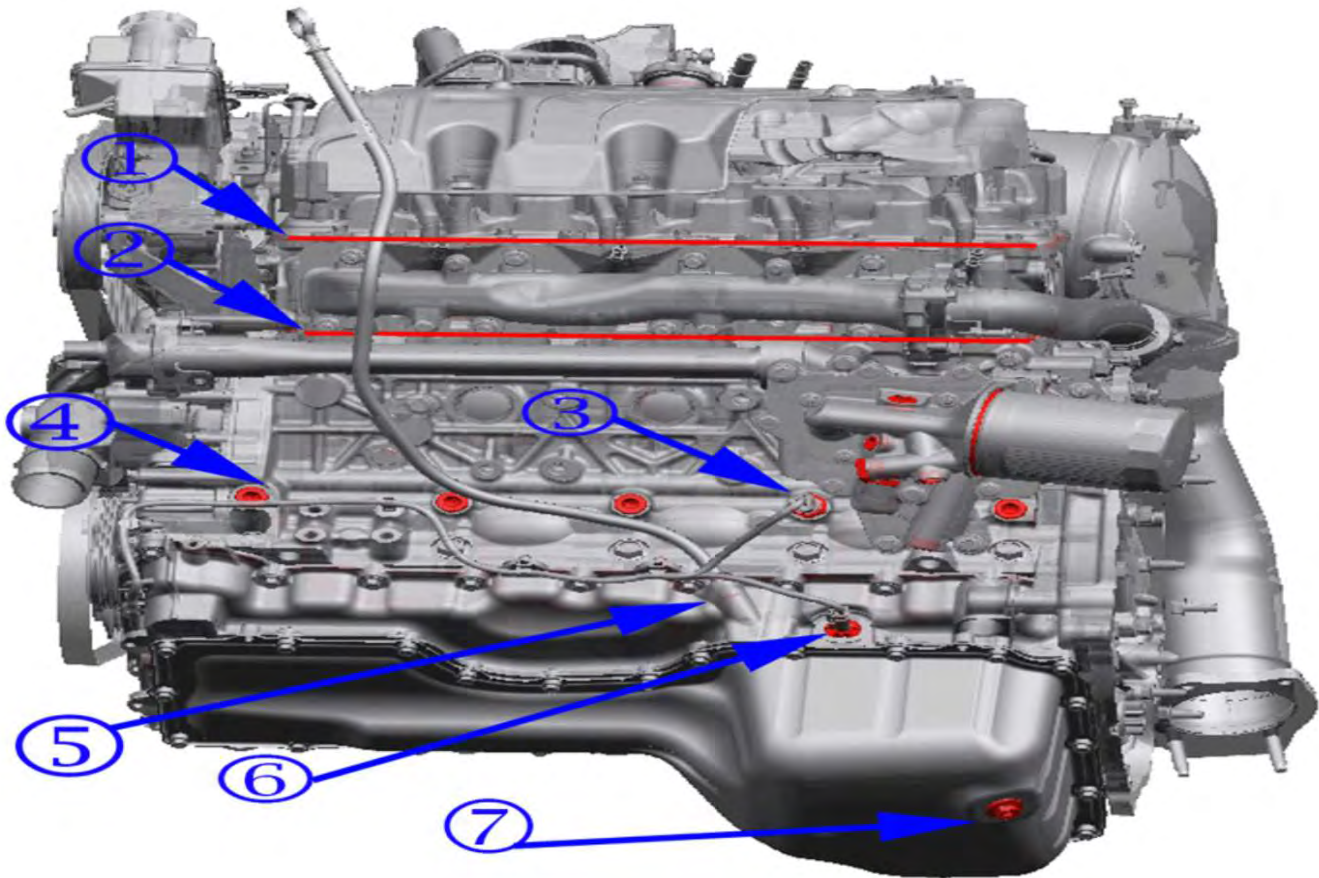
Involved Region or Country	North America, Middle East, Israel, South America and Thailand.
Additional Options (RPOs)	Equipped with 6.6L Diesel Engine (RPO L5P or L5D)

This document is to help identify where to look for an oil leak on the 6.6 Duramax engine.

Note: Please keep in mind that a leak on the top of the engine will trail down the back side of the engine and appear as a rear cover leak.

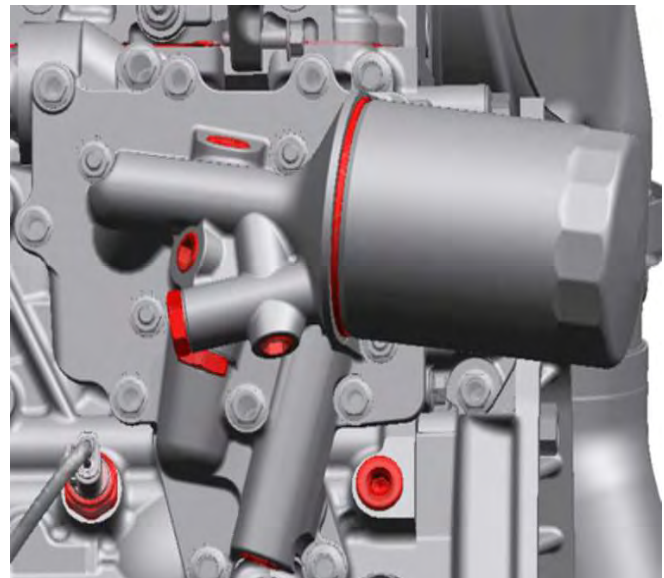
Please use the illustrations below as a guide of where to look for a potential oil leak. These illustrations are of a L5P engine; the L5D would be similar.

Possible Oil Leak Paths



Legend

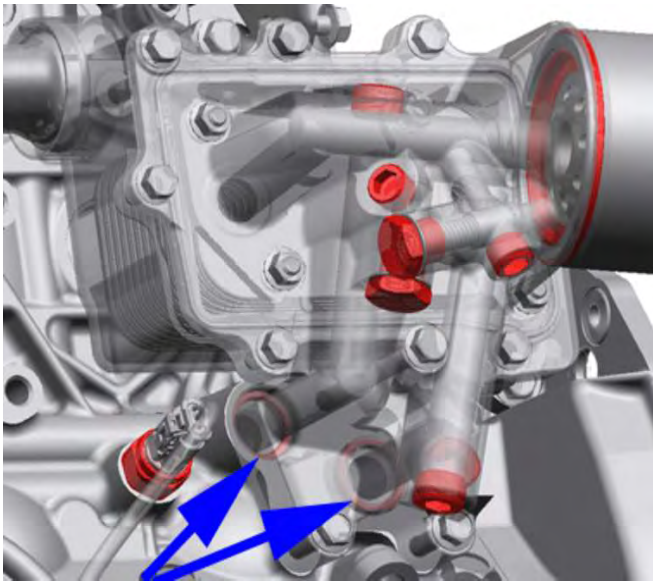
- (1) GASKET, VLV RKR ARM CVR (Rocker Cover Gasket)
- (2) GASKET, CYL HD (Head Gasket)
- (3) SENSOR, ENG OIL PRESS (Oil Pressure Sensor)
- (4) PLUG, ENG BLK OIL GAL (Plugs in Block Qty 4)
- (5) SEAL, OIL LVL IND TUBE (O-Ring on Oil Indicator Tube)
- (6) SEAL, ENG OIL LVL IND SW (Oil Level Sensor)
- (7) SEAL, OIL PAN DRN PLUG (Oil Drain Plug)



Plugs and Gaskets in Oil Cooler and Filter

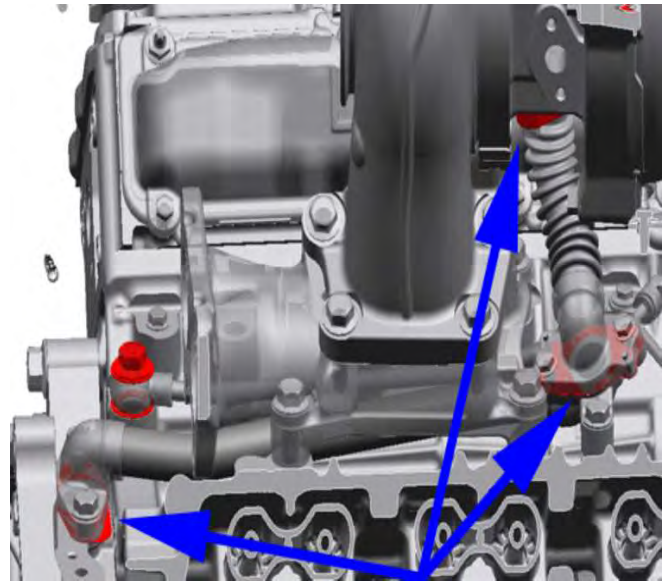
5053868

5053869



5053871

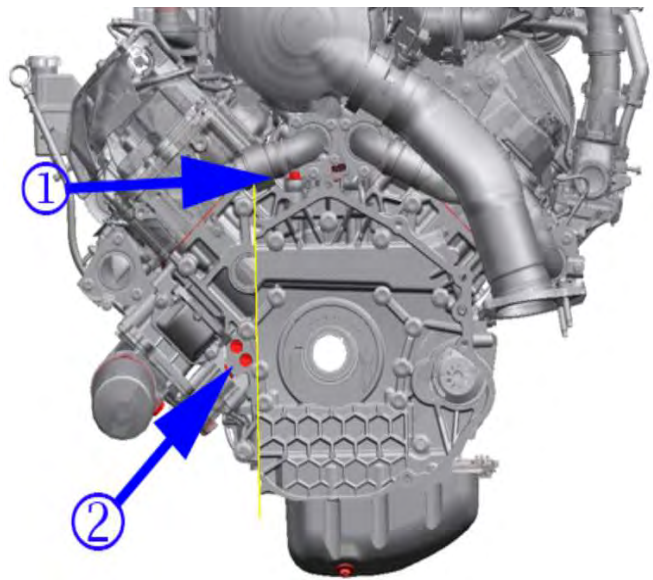
Ghost view of the Oil Cooler Cover to reveal 2 O-rings (SEAL, ENG OIL CLR).



5053874

Legend

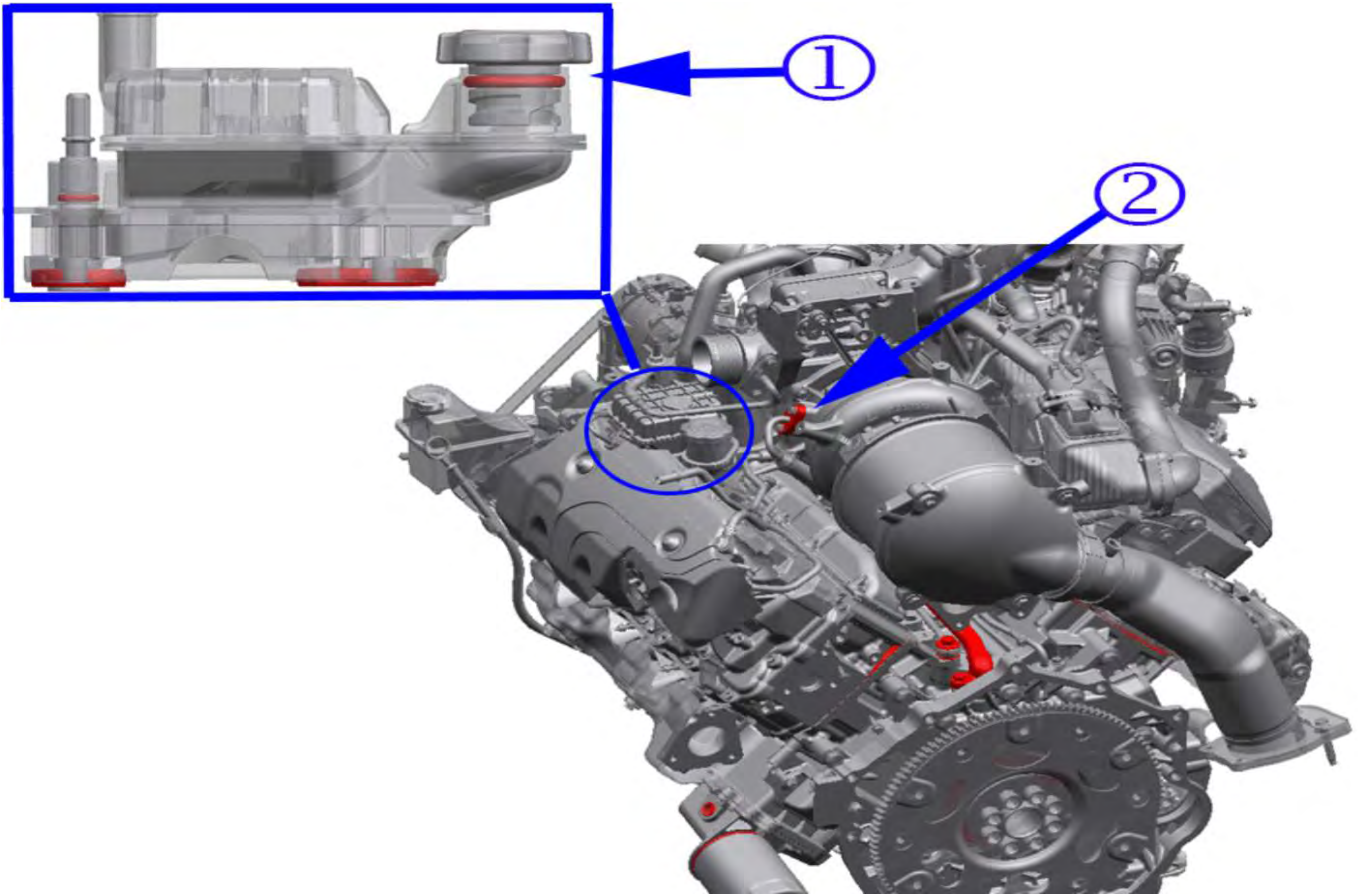
- (1) GASKET, TURBO OIL RTN PIPE (Turbo Oil Drain Pipe Gaskets (Quantity 3))



5053872

Legend

- (1) GASKET, TURBO OIL FEED PIPE (Turbo Oil Feed Pipe into Block, Turbo Pipe removed for picture only)
- (2) PLUG, ENG BLK OIL GAL (Section cut through Flywheel housing to show 2 plugs on the back of the engine block)

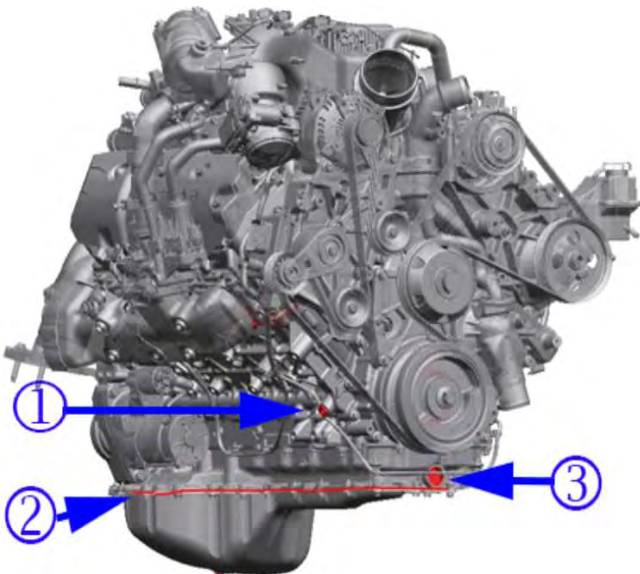


5053875

Legend

- (1) SEAL, OIL FIL CAP (Oil Separator Gaskets)
- (2) GASKET, TURBO OIL FEED PIPE (Turbocharger Oil Gasket (2))

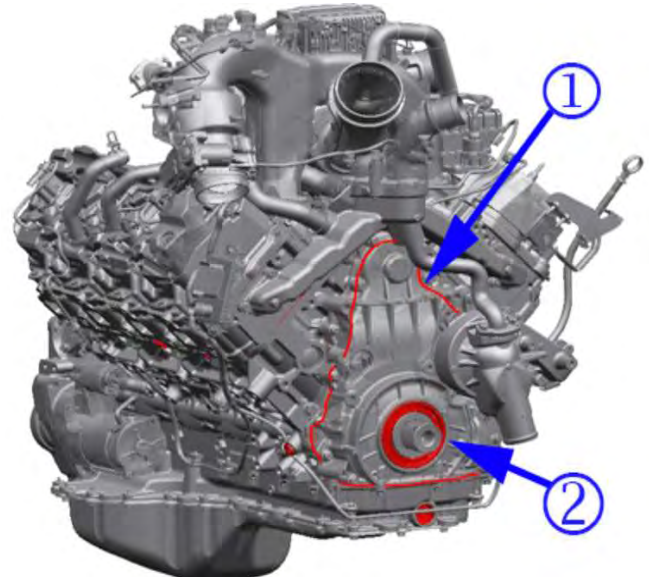
- (3) PLUG, CYL HD OIL GAL (Upper Oil Pan Plug)



5053878

Legend

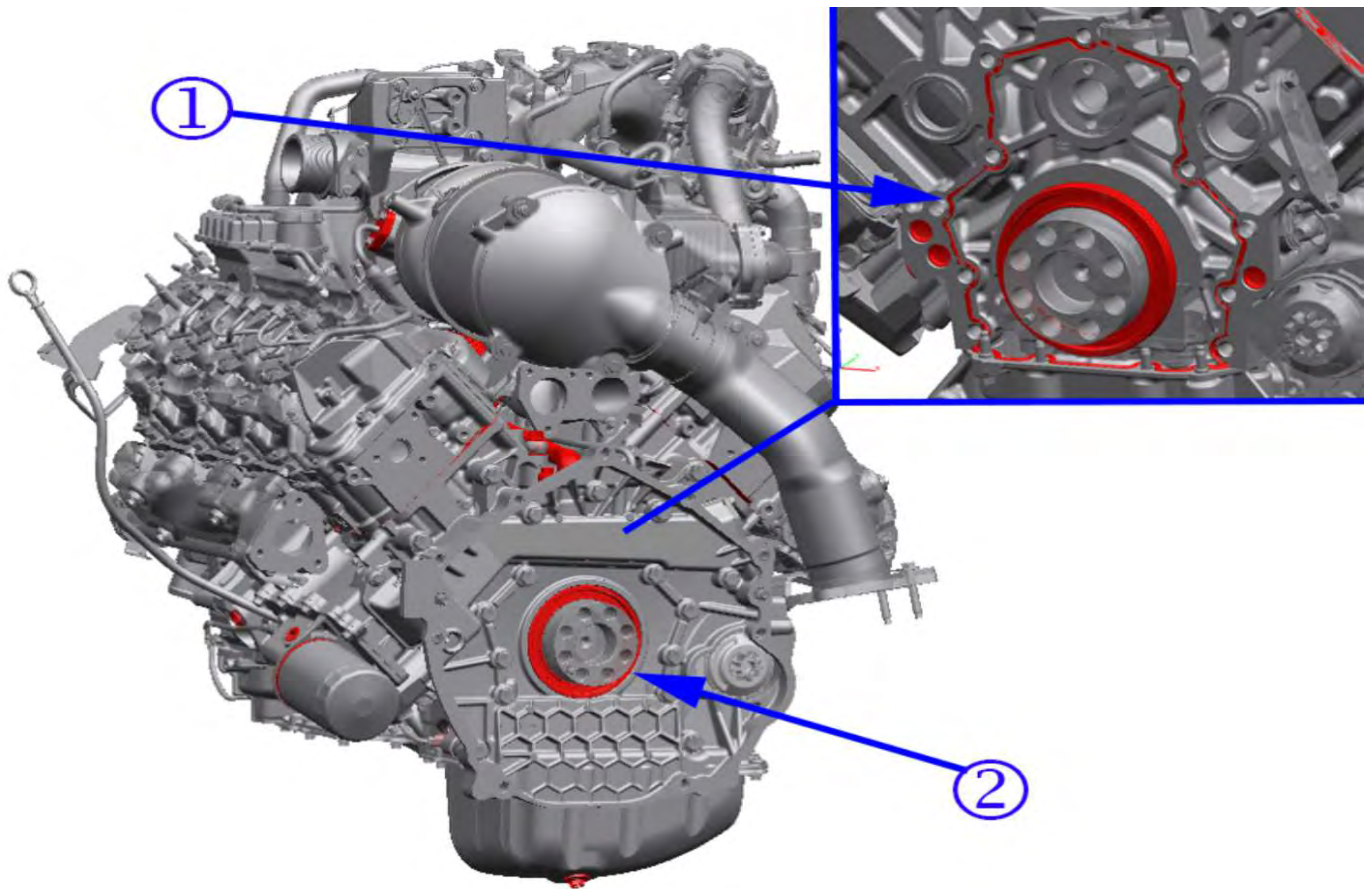
- (1) PLUG, ENG BLK OIL GAL (Oil Gallery Plug)
- (2) RTV (Oil Pan Seals)



5053879

Legend

- (1) RTV (Front Cover Seal)
- (2) SEAL, CR/SHF FRT OIL (Front Bearing Seal)



5053880

Note: (Flywheel Housing has been removed for clarity of picture)

Legend

- (1) RTV (Flywheel Housing Seal)
- (2) SEAL, CR/SHF RR OIL (Rear Bearing Seal)

Version	5
Modified	Released May 04, 2018 Revised July 25, 2018 - Added the 2019 Model Year. Revised June 24, 2019 - Added 2500/3500 to Models and 2020 to Model Year section. Revised October 19, 2020 - Added 2021 Model Years to 2500/3500 models and added 2019–2021 Silverado 4500, 5500 and 6500 HD Models and added RPO L5D. Revised January 07, 2022 - Added 2022 to Model Year.

GM bulletins are intended for use by professional technicians, NOT a "do-it-yourselfer". They are written to inform these technicians of conditions that may occur on some vehicles, or to provide information that could assist in the proper service of a vehicle. Properly trained technicians have the equipment, tools, safety instructions, and know-how to do a job properly and safely. If a condition is described, DO NOT assume that the bulletin applies to your vehicle, or that your vehicle will have that condition. See your GM dealer for information on whether your vehicle may benefit from the information.



WE SUPPORT VOLUNTARY
TECHNICIAN
CERTIFICATION