

Subject: **FRONT MONITOR LOCATION
PROBLEM**

Bulletin Type: **FIELD FIX CONDITIONAL**

Bulletin No: **TS30-FC-2107**

PQR No: **500000006780**

Rev No: **00**

Ref. No:

Vehicle Model: **TS30**

Flat Rate Time / Code: **1210 min./man**

Date of issue: **27.02.2021**

Modify Before: **27.02.2021**

What to do with off coming parts:

- Scrap
- Return
- Use with additional parts
- On consignment
- No off coming parts

What to do with outstanding parts of previous revision:

- Scrap
- Return
- Use with additional parts
- On consignment
- No outstanding parts

Description of the modification:

FRONT MONITOR LOCATION PROBLEM

Bulletin Responsible: **MUSTAFA TOPAL**

Published & Approved By: **OZAN MARUFOĞLU**

SAFETY INSTRUCTIONS

1. Mechanical Requested



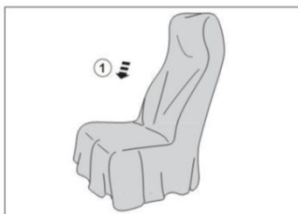
Dress Code

WARNING:

- Dress properly to avoid personal injury and damage to the vehicle

- ✓ Always wear protective clothing
- ✓ Do not wear any worn or loose-fitting clothing
- ✓ Remove jewelry before starting to work
- ✓ In case of long hair, use hairnet
- ✓ The illustration on the left shows some of the correct and incorrect clothing
- ✓ Sharp edged items should be avoided in order not to scratch vehicle (i.e. belts, watches, necklace)

2. Protect Seats when Mechanic Starts Working



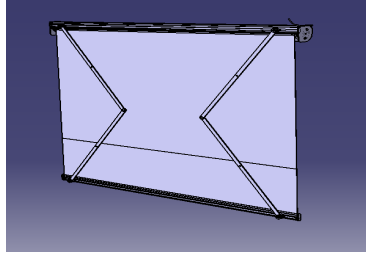
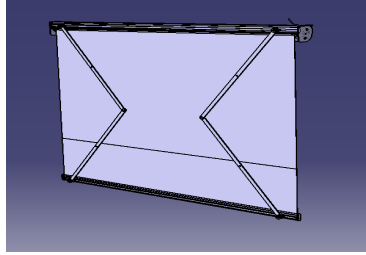
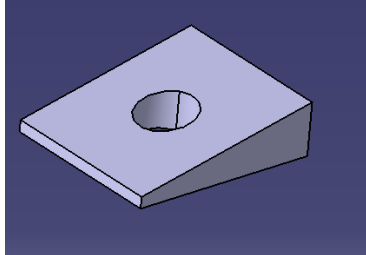
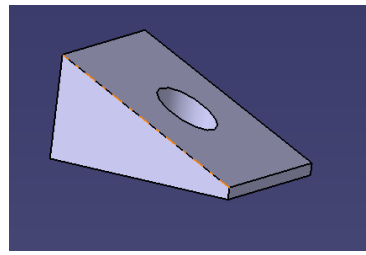

- ✓ Seats, trimming, upholstery stuff and carpeting should be protected with appropriate coverings.

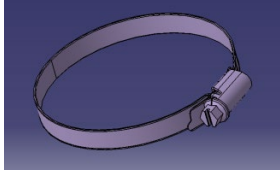
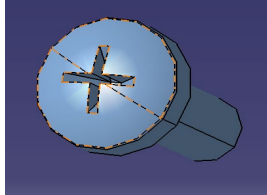
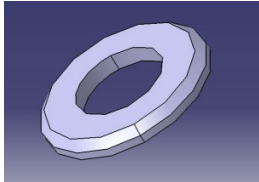
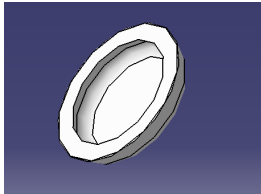
3. Welding on the Chassis

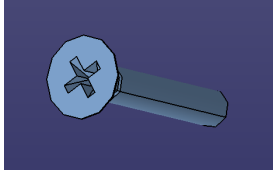

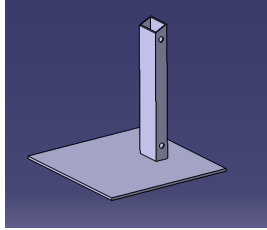
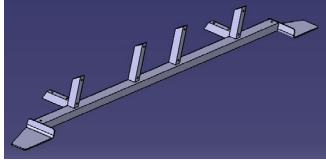
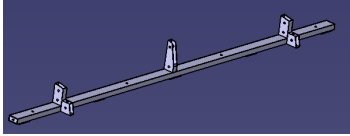
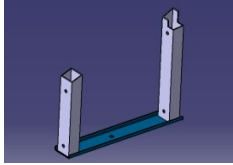
- a. Always disconnect the batteries (starting with the negative lead).
- b. Disconnect the connectors of electrical and electronic equipment (electronic control units, sensors and actuators) if they are less than 2 meters away from the chassis part to be welded or the earth terminal of the welding equipment.
- c. The earth terminal should never be attached to vehicle components such as engine, axles and springs. Arcing on these parts is not permitted, because of the risk of damage to bearings, springs, etc.
- d. The earth terminal must make good contact and be placed as close as possible to the part to be welded.
- e. Plastic pipes, rubber parts and parabolic springs should be well protected against welding spatter and temperatures higher than 70°.
- f. The contact switch must not be in the accessory or contact position. The contact key should be removed.
- g. Reconnect in reversed order of disconnecting. Ensure that a good earth connection is made between chassis, engine and cab.

INCLUDED PARTS LIST

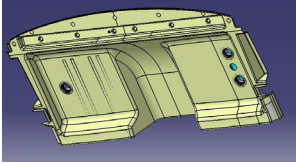
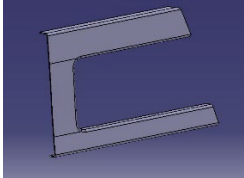
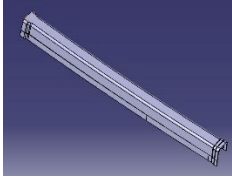
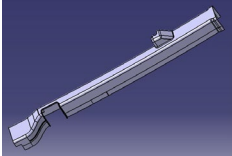
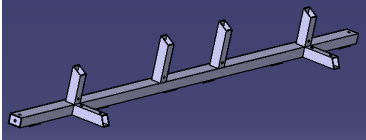
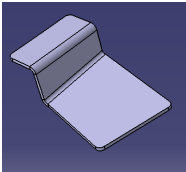
No	Part Number	Part Name	Drawing	Quantity	Unit
1	RP279141Y	FRONT HEADLINER COMPLETE		1	PIECES
2	RP242137Y	DOOR SIDE COVER, LEFT TS30E		1	PIECES
3	RP242136Y	DOOR SIDE COVER, RIGHT TS30E		1	PIECES
4	RP242138Y	DOOR SIDE COVER, TS30E		1	PIECES
5	HD212185	HOSE (GREYDEC-75)		1	PIECES

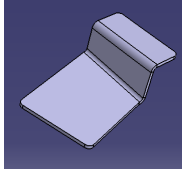
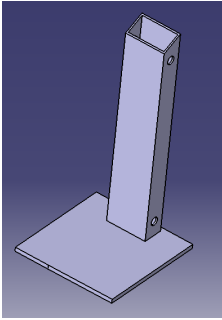
No	Part Number	Part Name	Drawing	Quantity	Unit
6	RP300126	WINDSCREEN SUN VISOR COMPLETE,TS30		1	PIECES
7	RP300127	WINDSCREEN SUN VISOR COMPLETE,TS30		1	PIECES
8	HD300182Y	SUPPORT		5	PIECES
9	RP300129Y	SUPPORT		2	PIECES
10	MF457597	SCREW		8	PIECES

No	Part Number	Part Name	Drawing	Quantity	Unit
11	BW306008009A	CLAMP, BAND, 60-80,9mm		3	PIECES
12	MF200077	SCREW, MACHINE (A M6x15-5,6)		5	PIECES
13	MF399024	WASHER, PLAIN ((2X8X24)		5	PIECES
14	TU232110_12	PARCEL RACK WEATHER STRIP		2	PIECES
15	9542-03_65	FASTENER, BINDER DUATECH, 75763-H32		16	PIECES
16	9542-03_63	FASTENER, BINDER DUATECH, 75763-H32		70	PIECES
17	NK999100Y	COVER (RAL7035)		2	PIECES

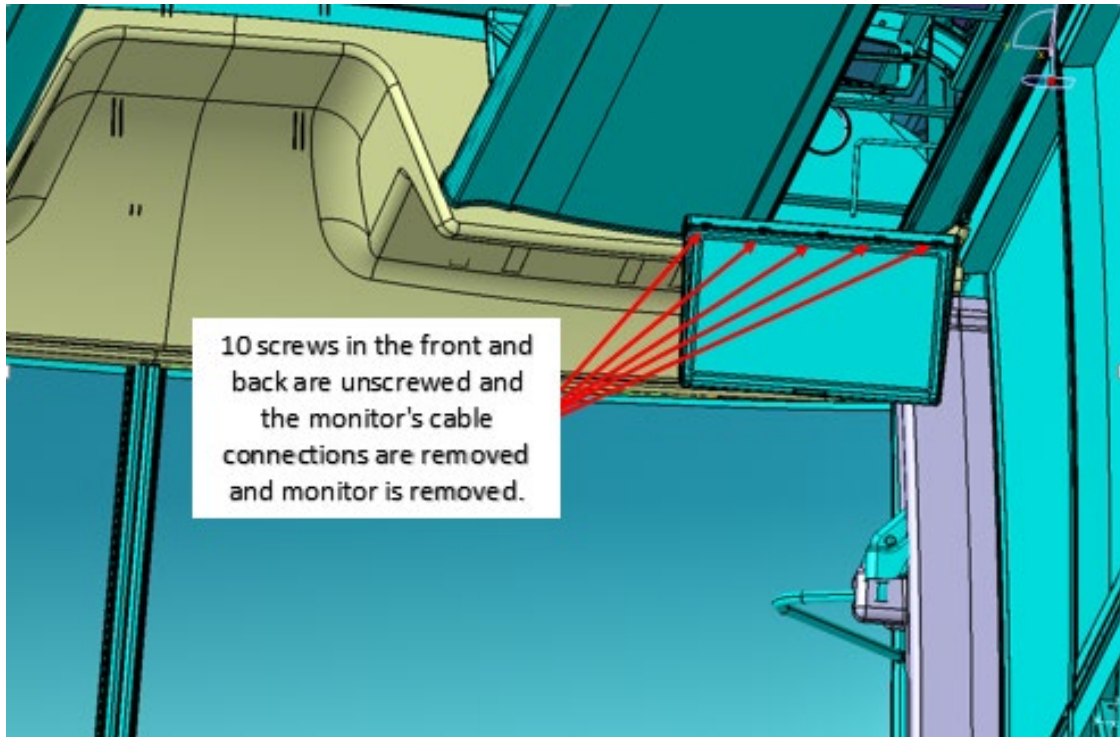
No	Part Number	Part Name	Drawing	Quantity	Unit
18	MF457597Y	SCREW (S 4,2x25-5,6)		2	PIECES
19	MK195239Y	WASHER, COOLER DUCT		2	PIECES
20	9301-25167	BOX PROFILE, FRONT BODY		1	PIECES
21	RP100542	FRONT BODY STRUCTURE SUBSET TS30 E		1	PIECES
22	RP100578	FRONT BODY STRUCTURE SUBSET TS30 E		1	PIECES
23	9326-7848	BRACKET, ROOF		1	PIECES

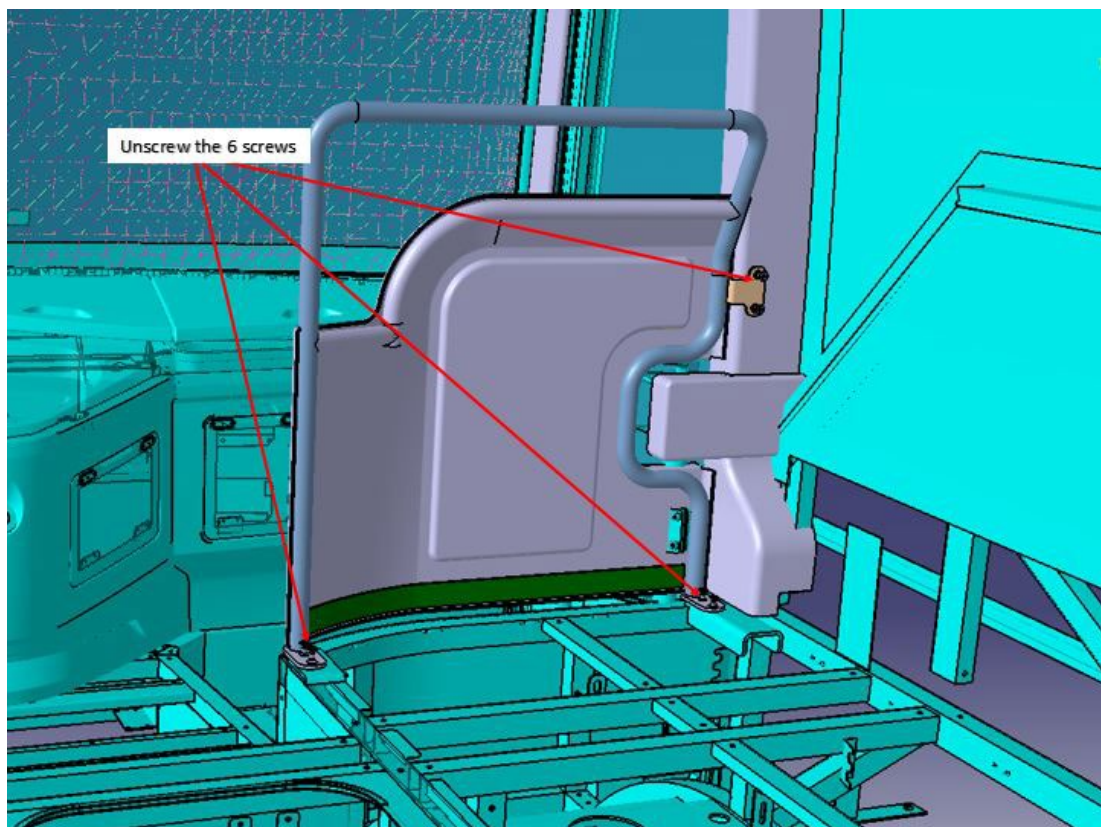
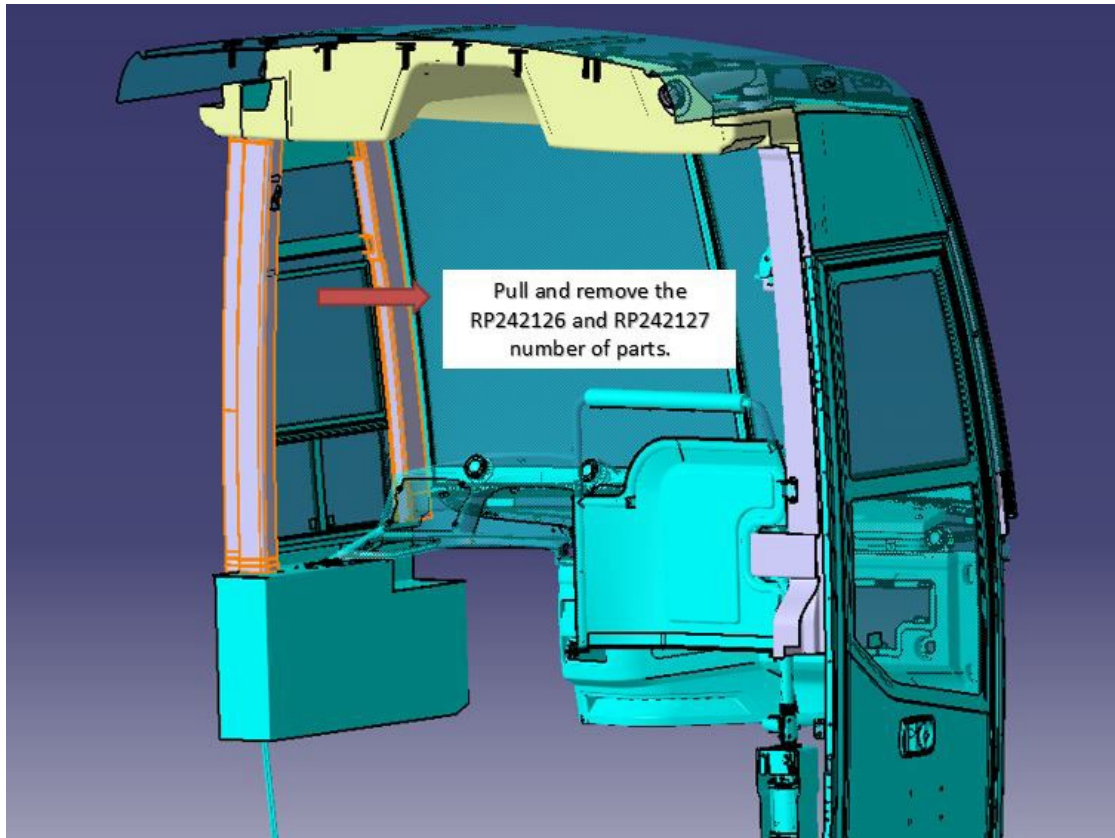
REMOVED PARTS

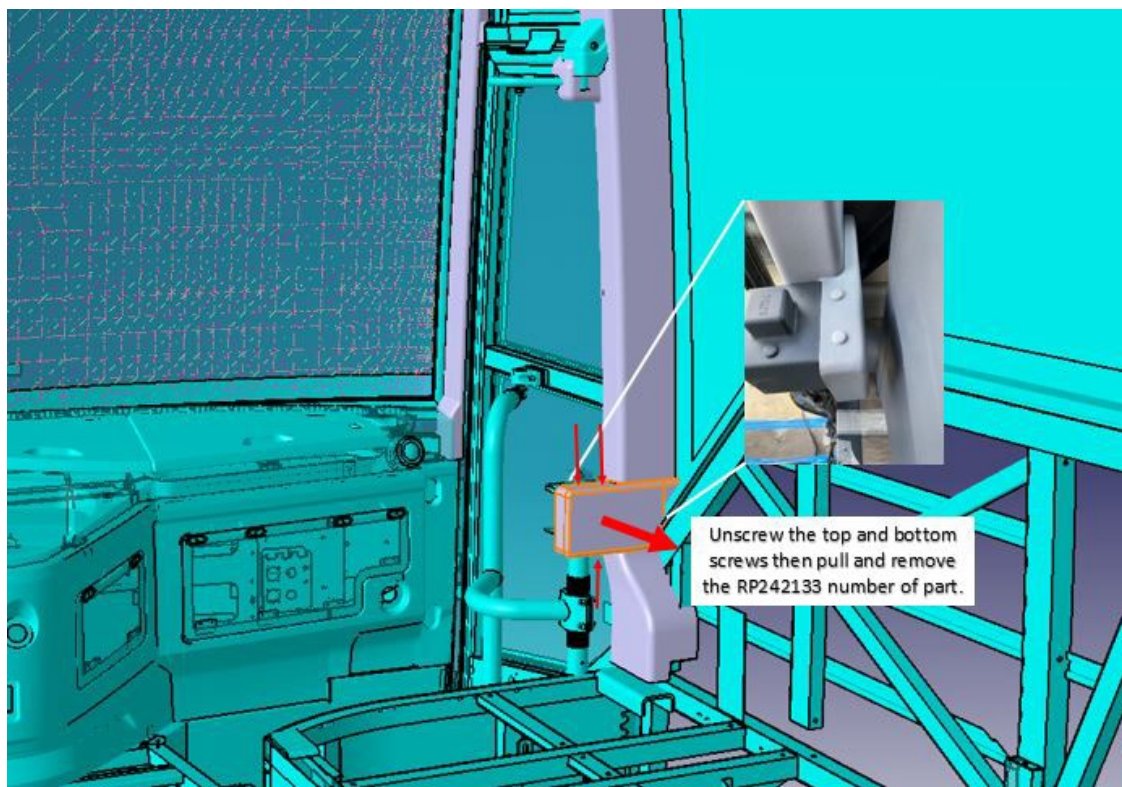
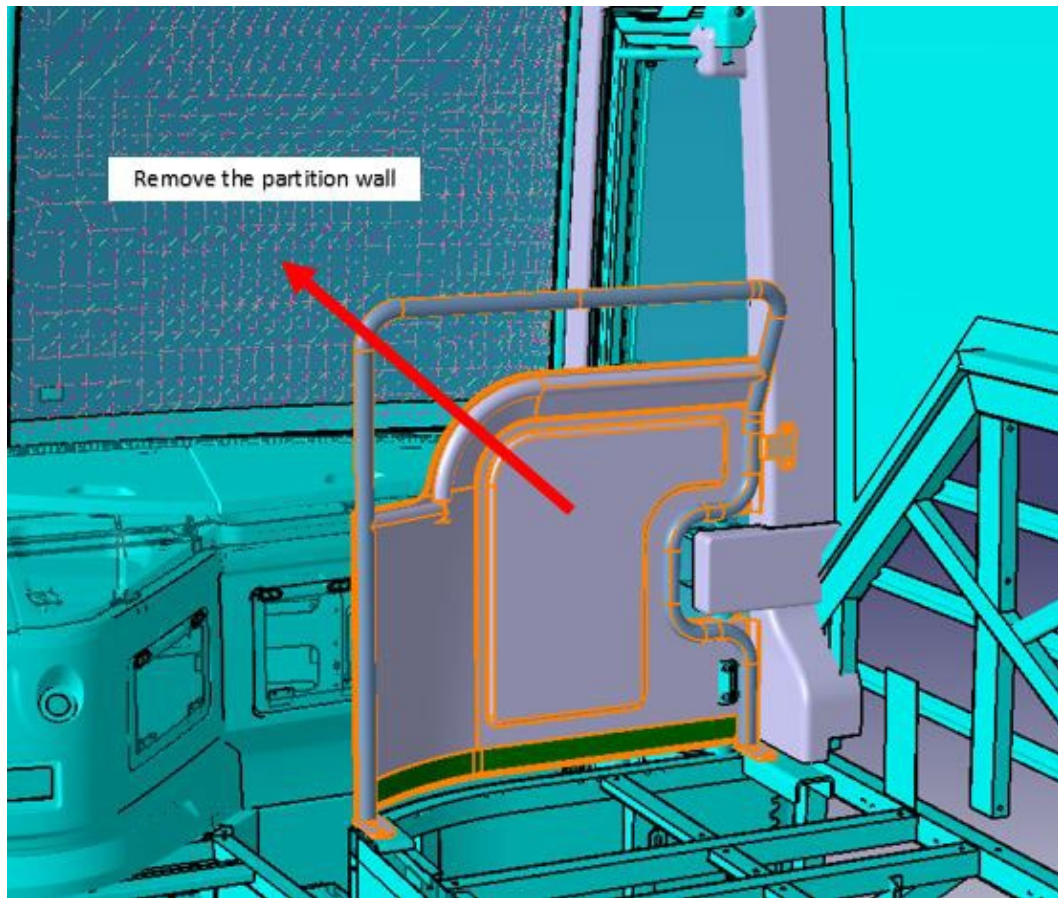
No	Part Number	Part Name	Drawing	Quantity	Unit
1	RP279129Y	FRONT HEADLINER COMPLETE		1	PIECES
2	RP242131Y	DOOR SIDE COVER, DRIVER UPPER, TS30E		1	PIECES
3	RP242126Y	DOOR SIDE COVER, TS30E		1	PIECES
4	RP242129Y	DOOR SIDE COVER, TS30E		1	PIECES
5	RP100542	FRONT BODY STRUCTURE SUBSET TS30 E		1	PIECES
6	9321-734L	Z-BRACKET LEFT		1	PIECES

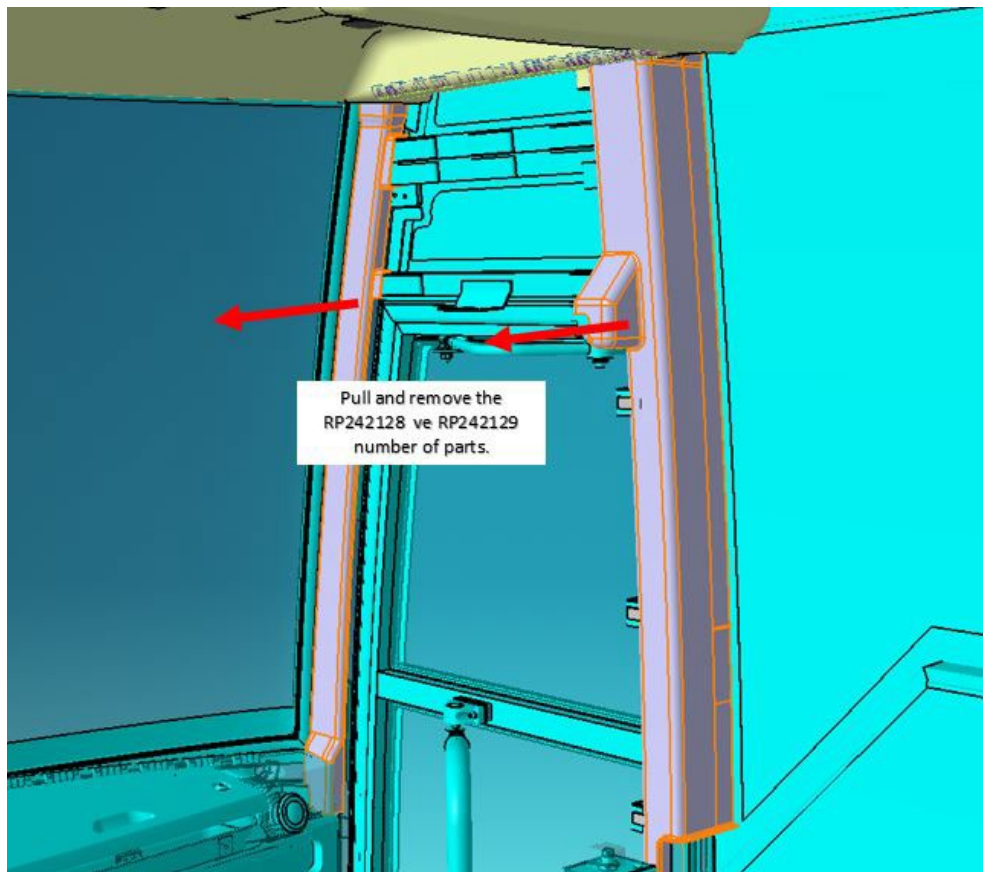
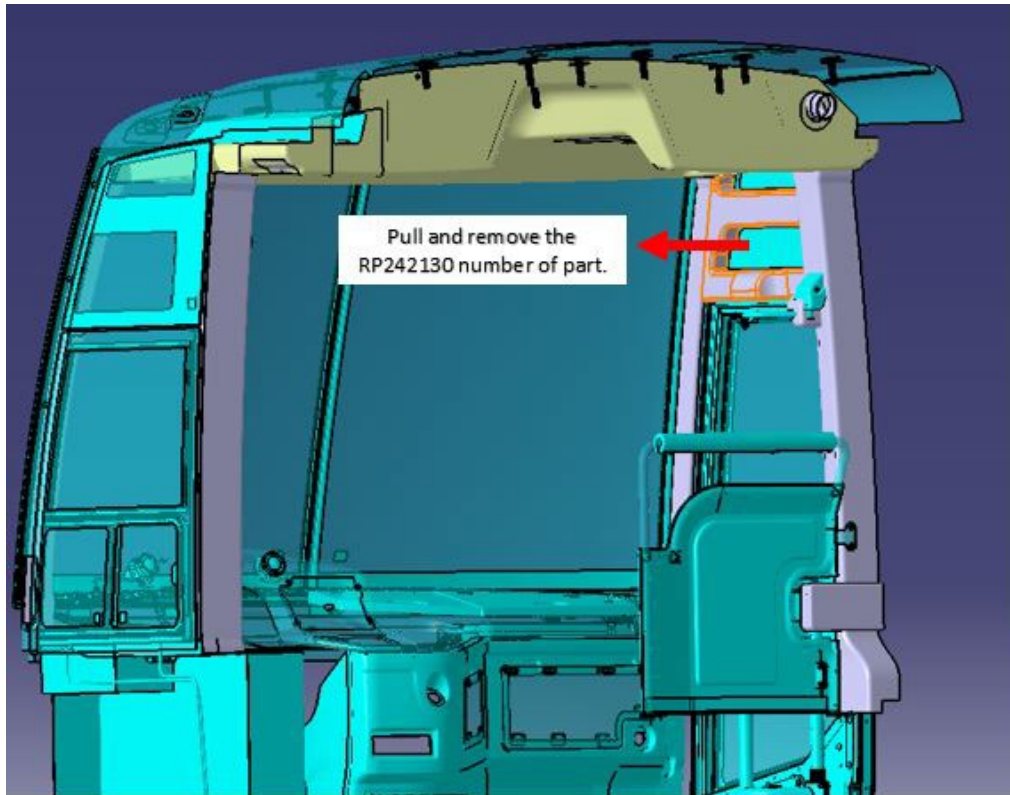
No	Part Number	Part Name	Drawing	Quantity	Unit
7	9321-734R	Z-BRACKET RIGHT		1	PIECES
8	9301-21010	BOX PROFILE,FRONT BODY		1	PIECES

STEP 1

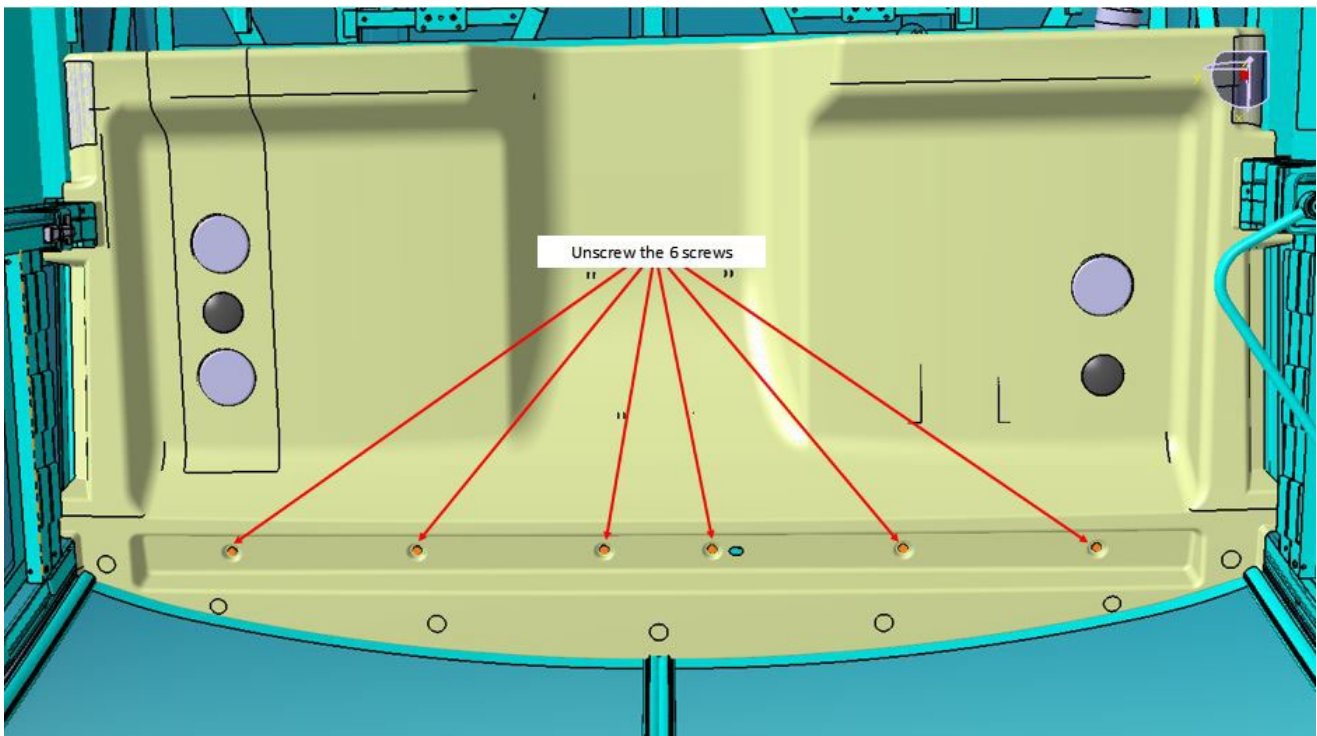
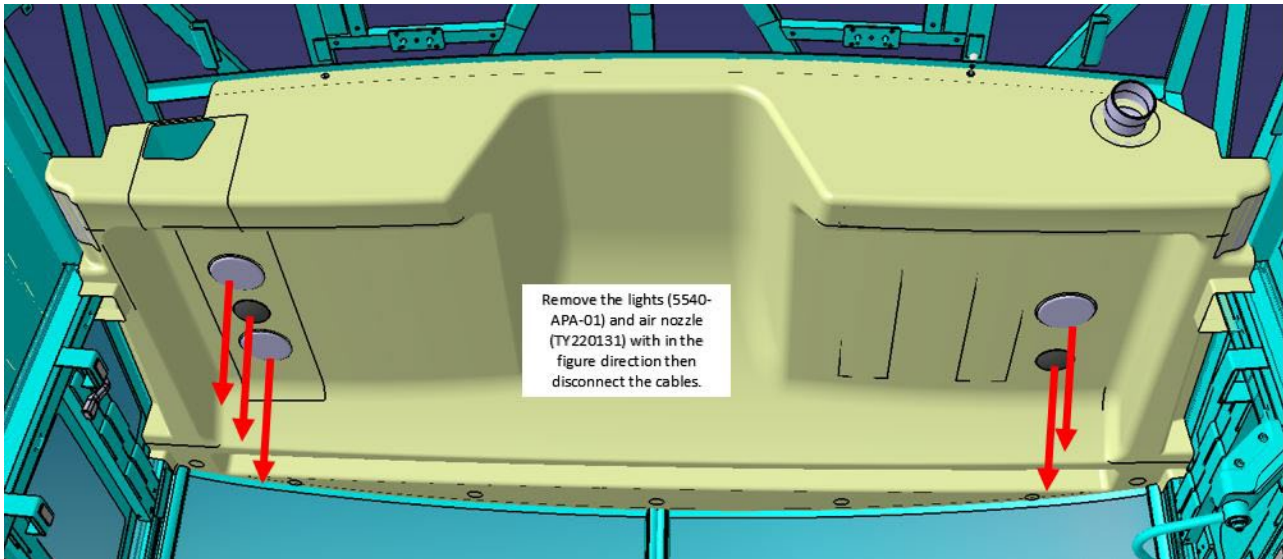


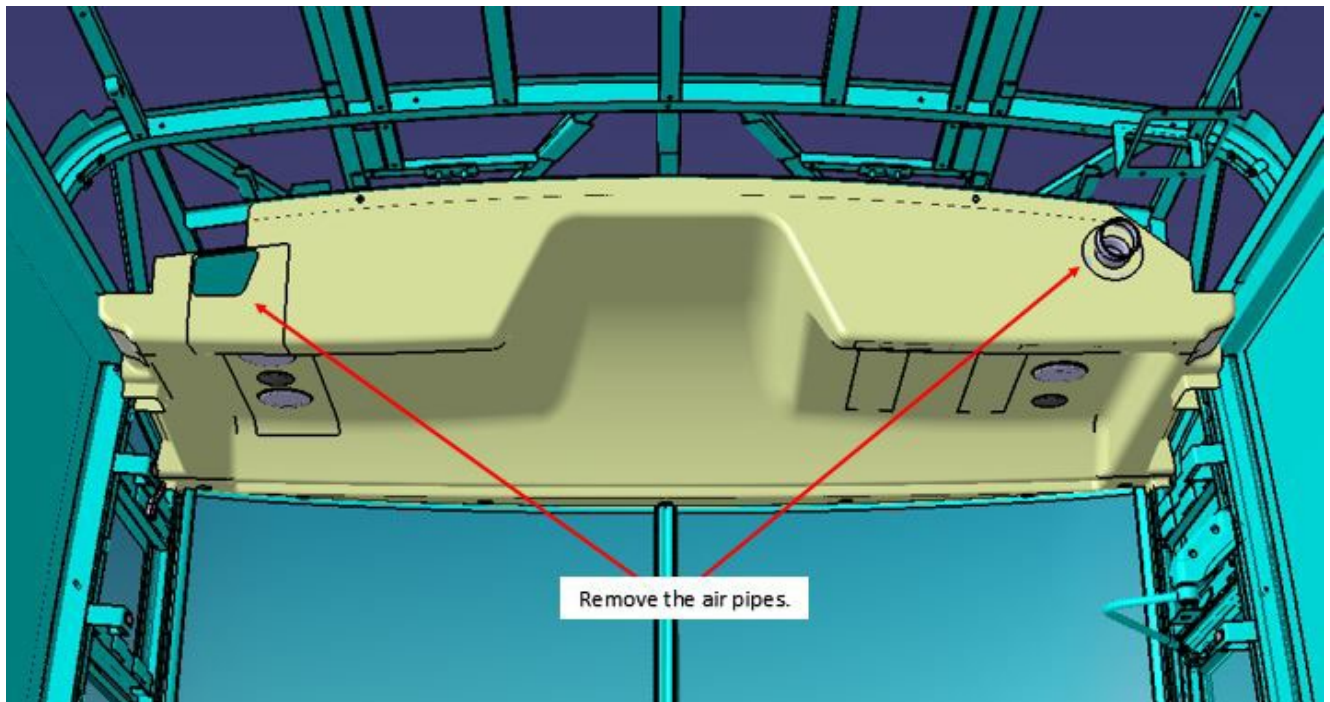
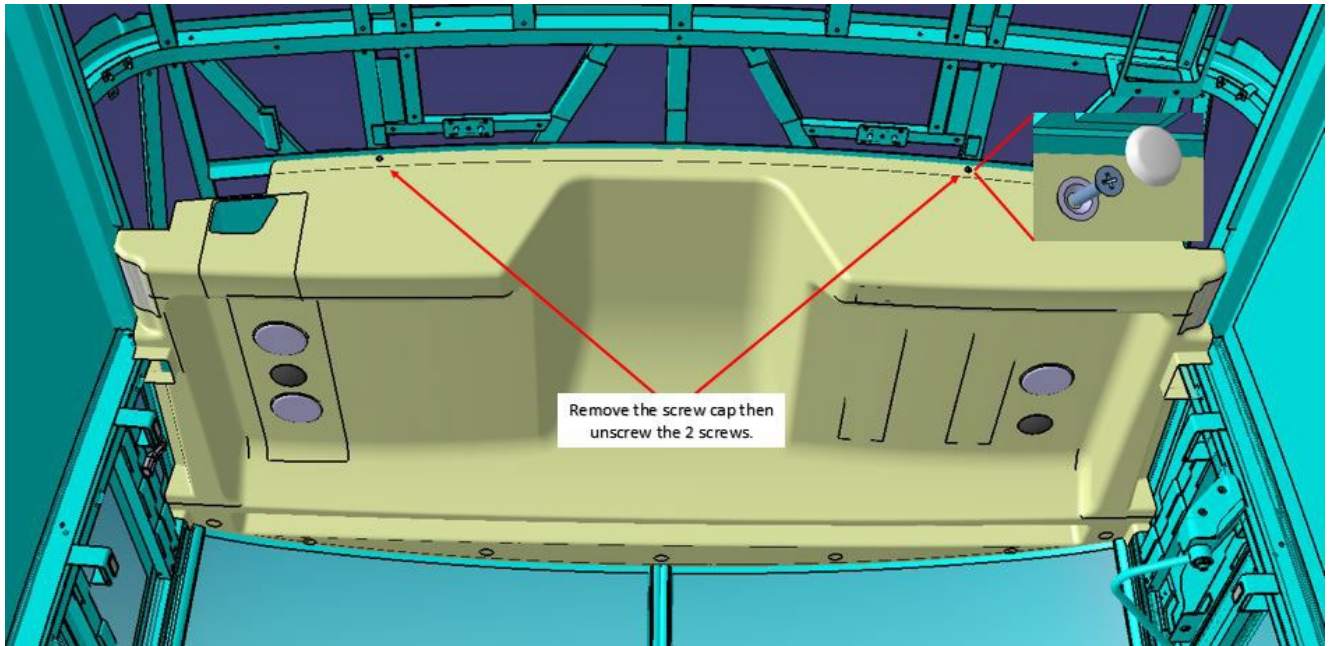


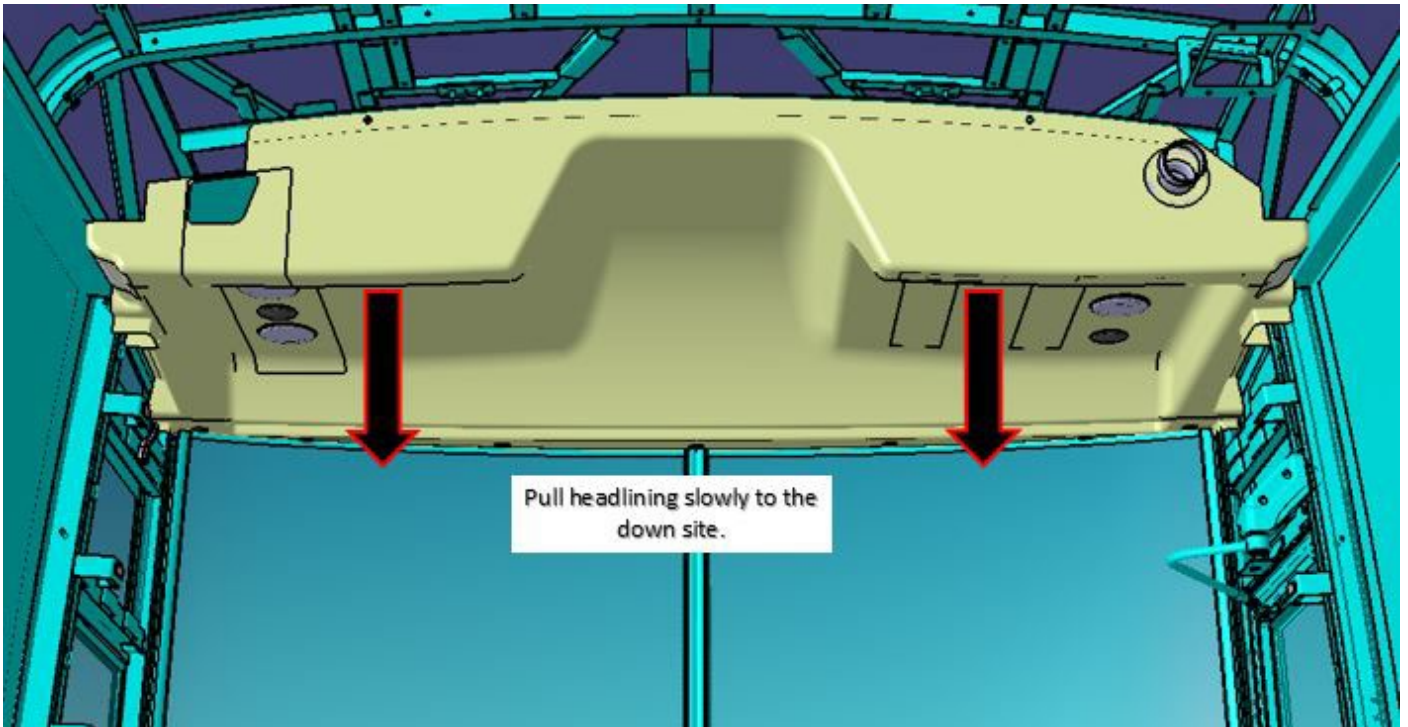




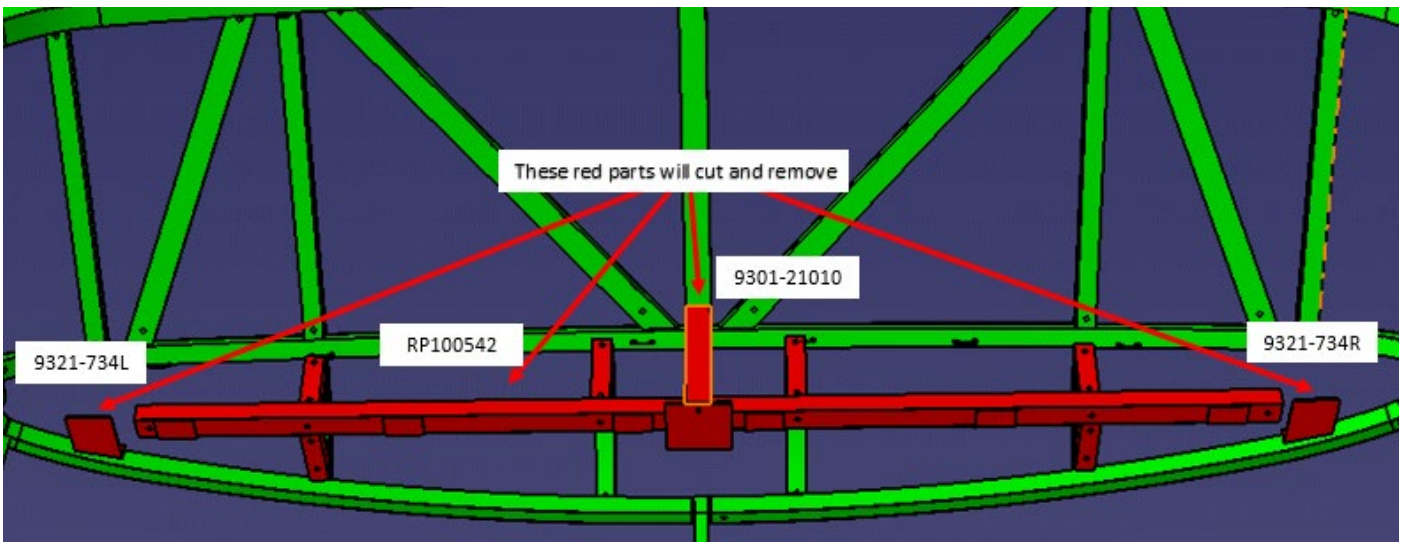
STEP 2

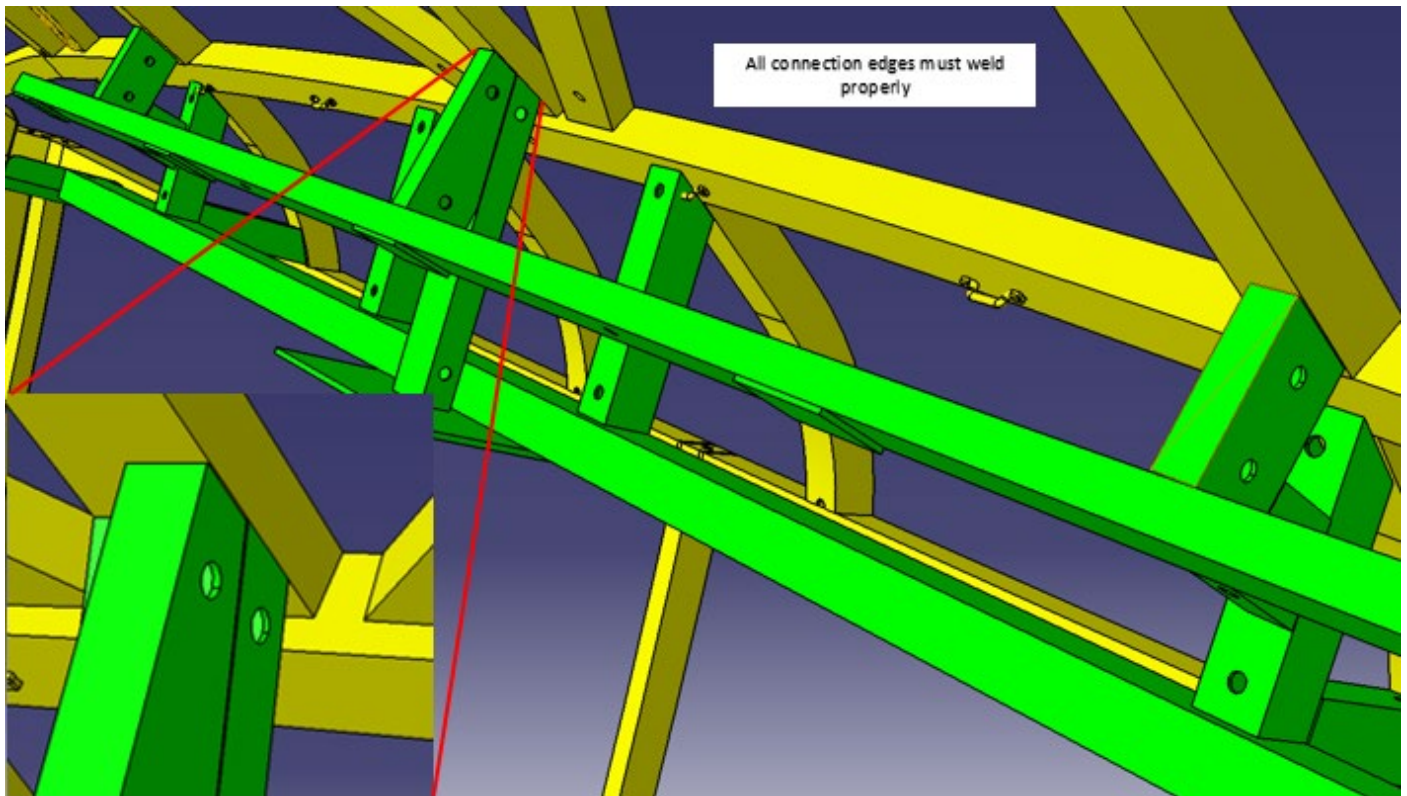
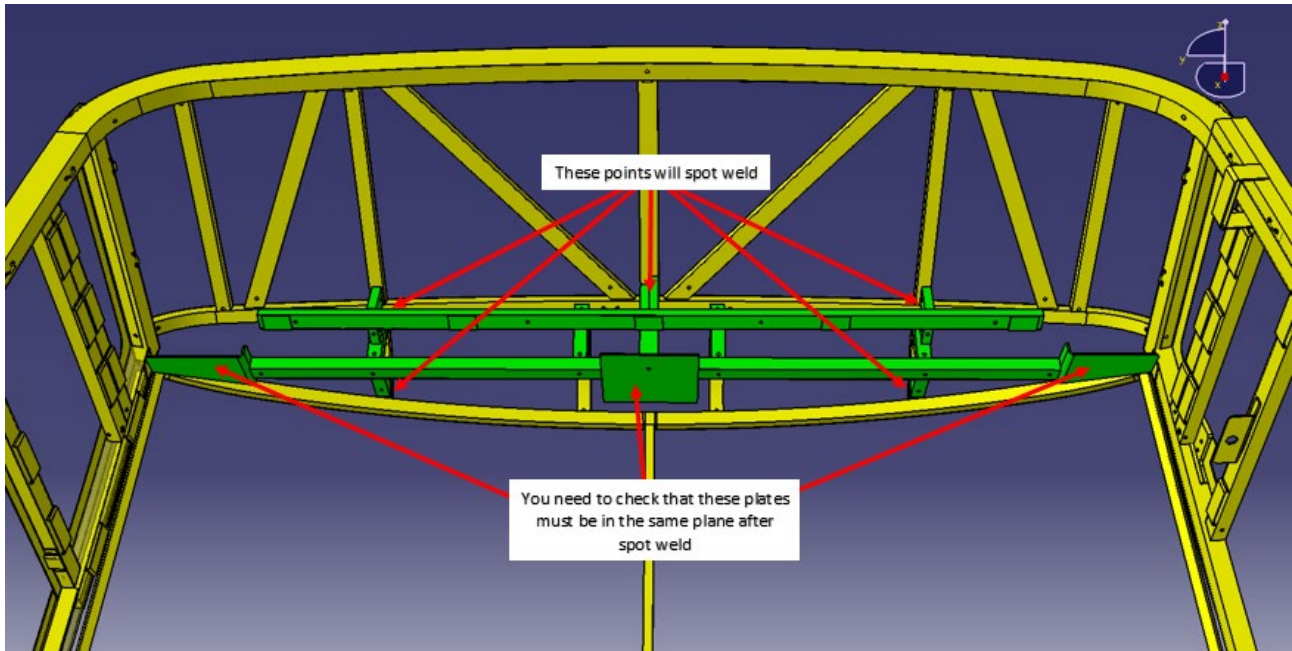


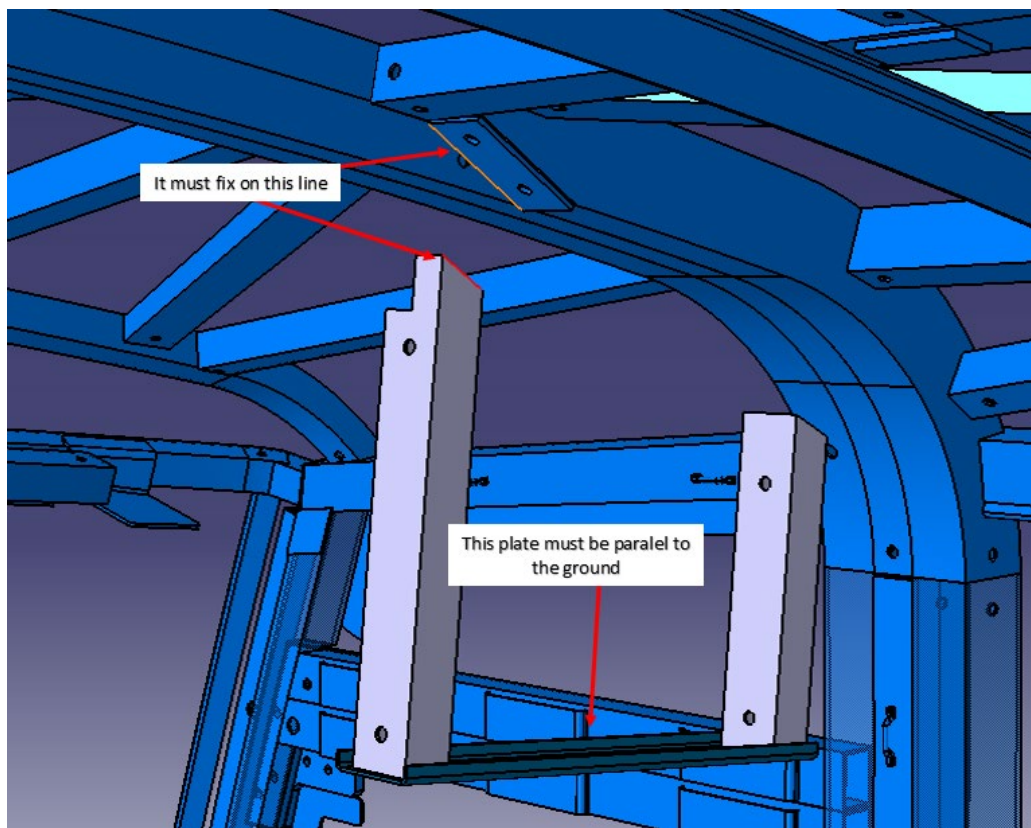
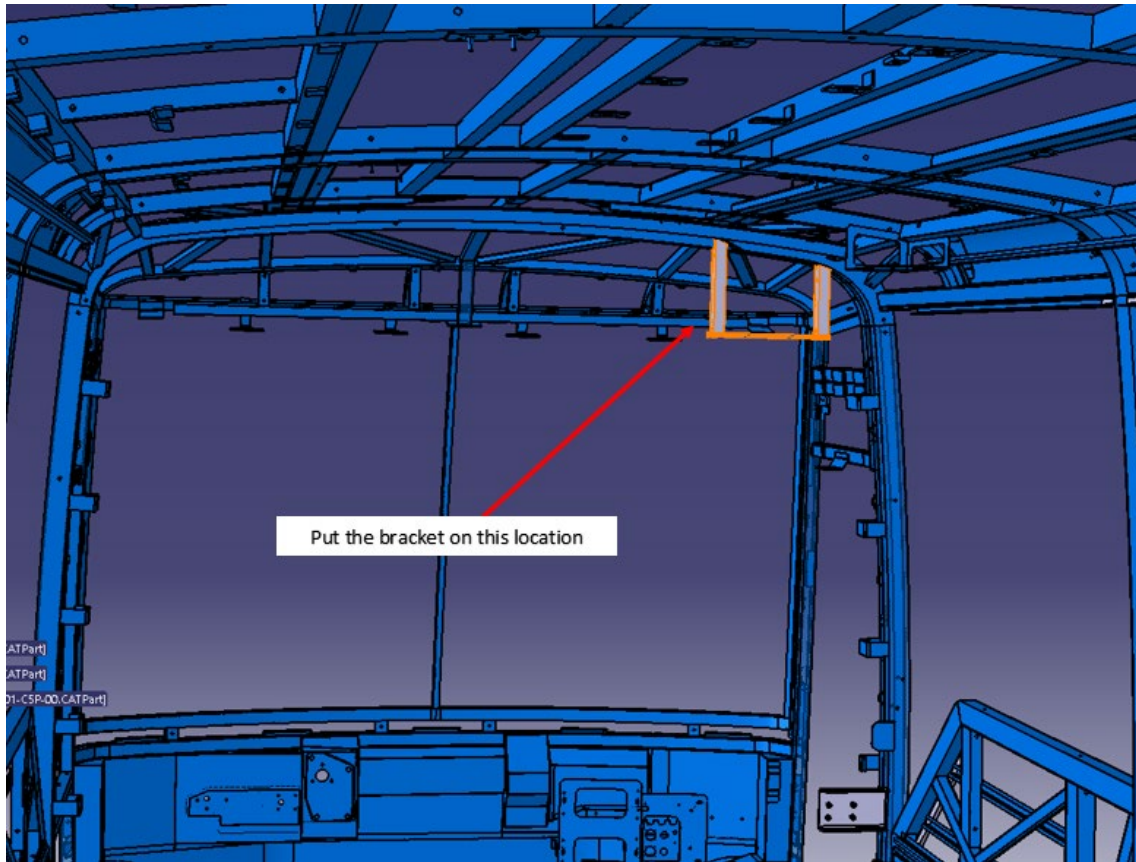


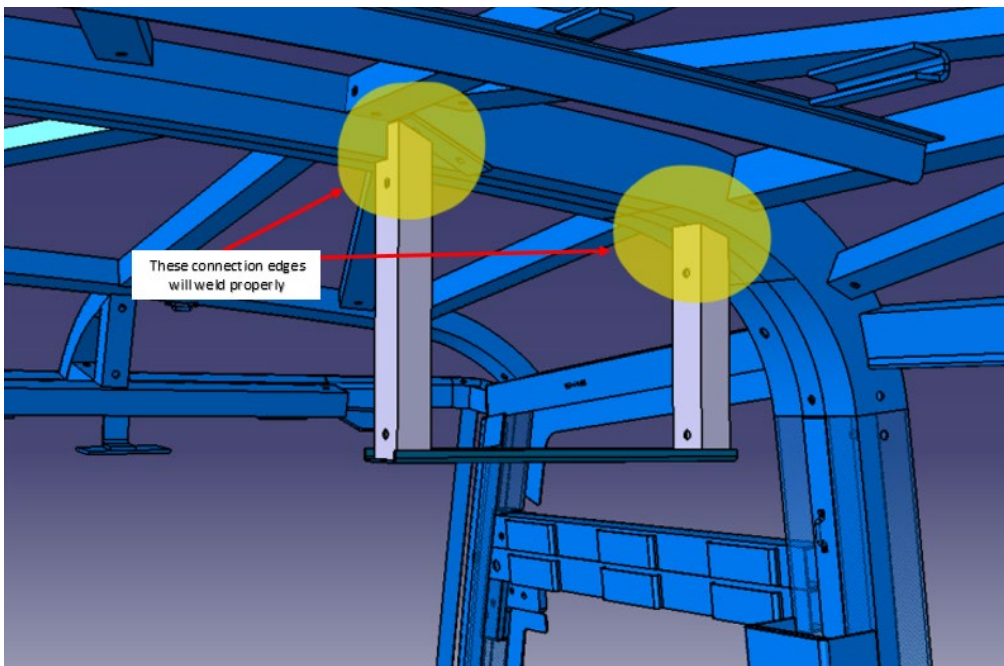
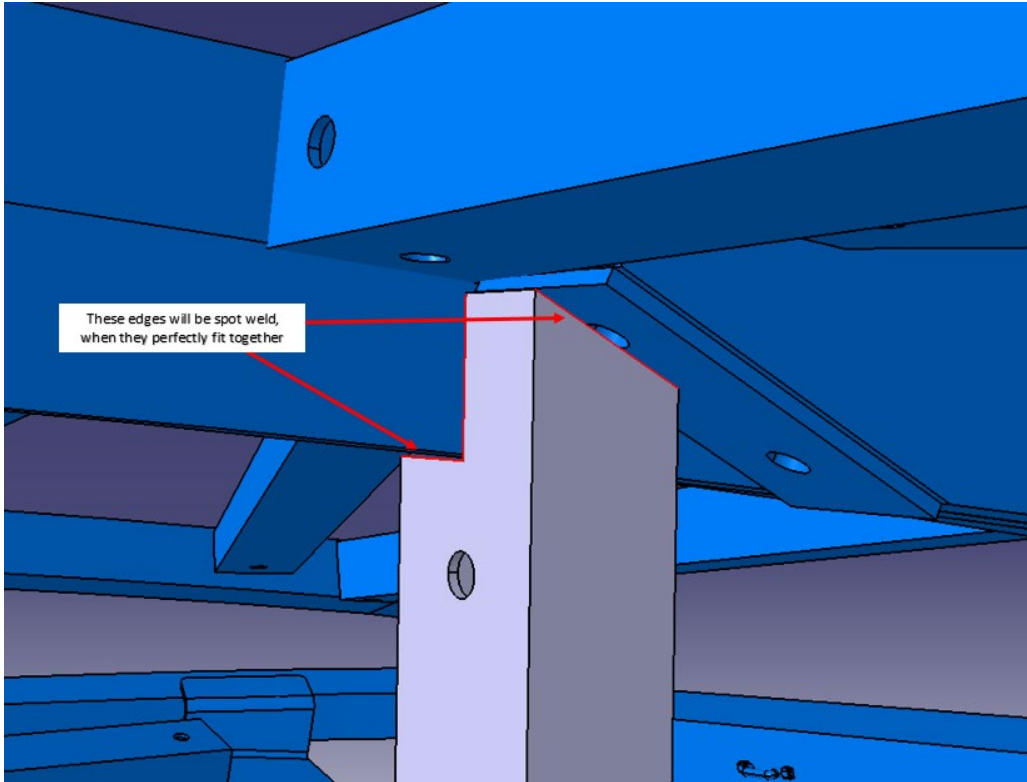


STEP 3

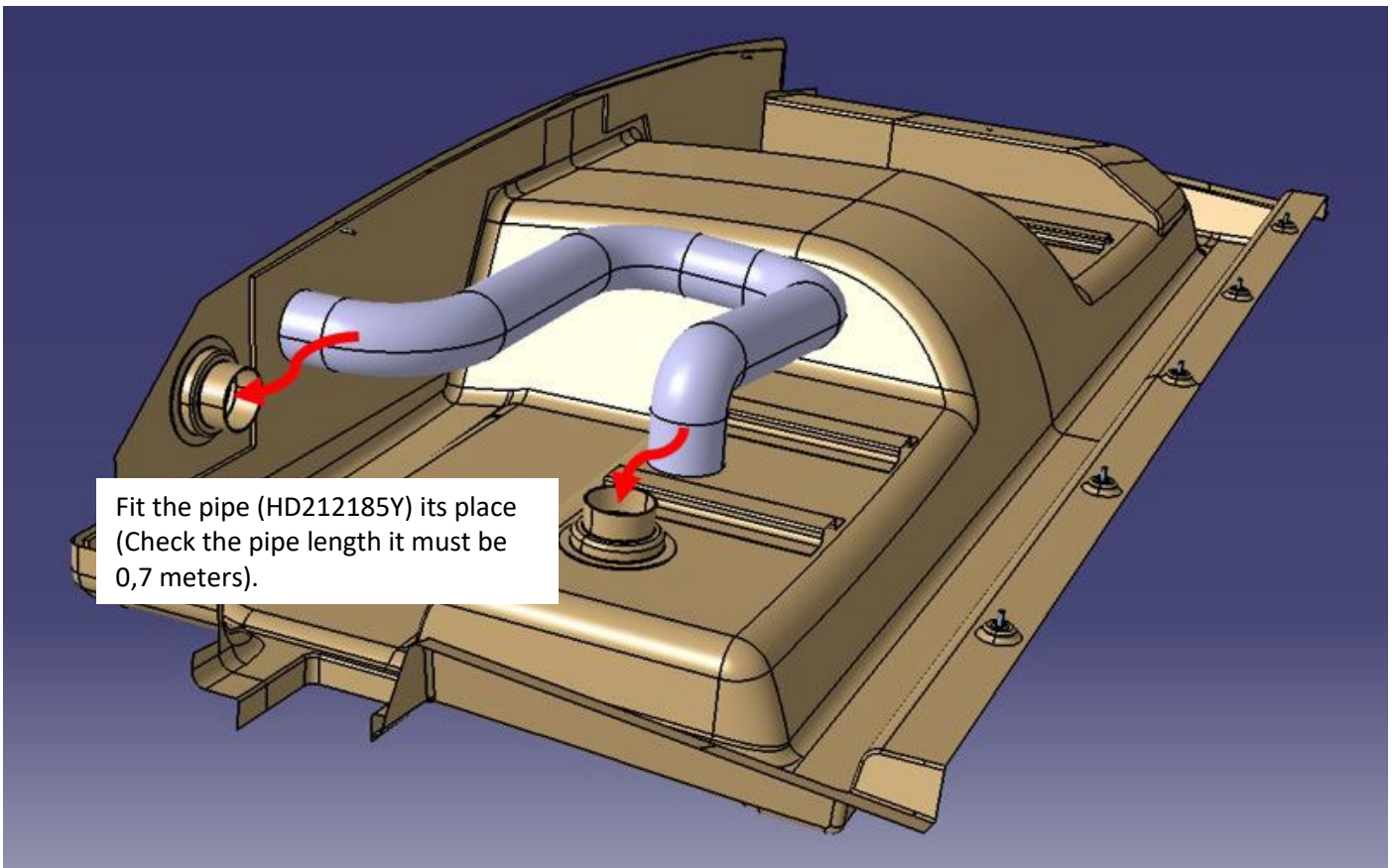
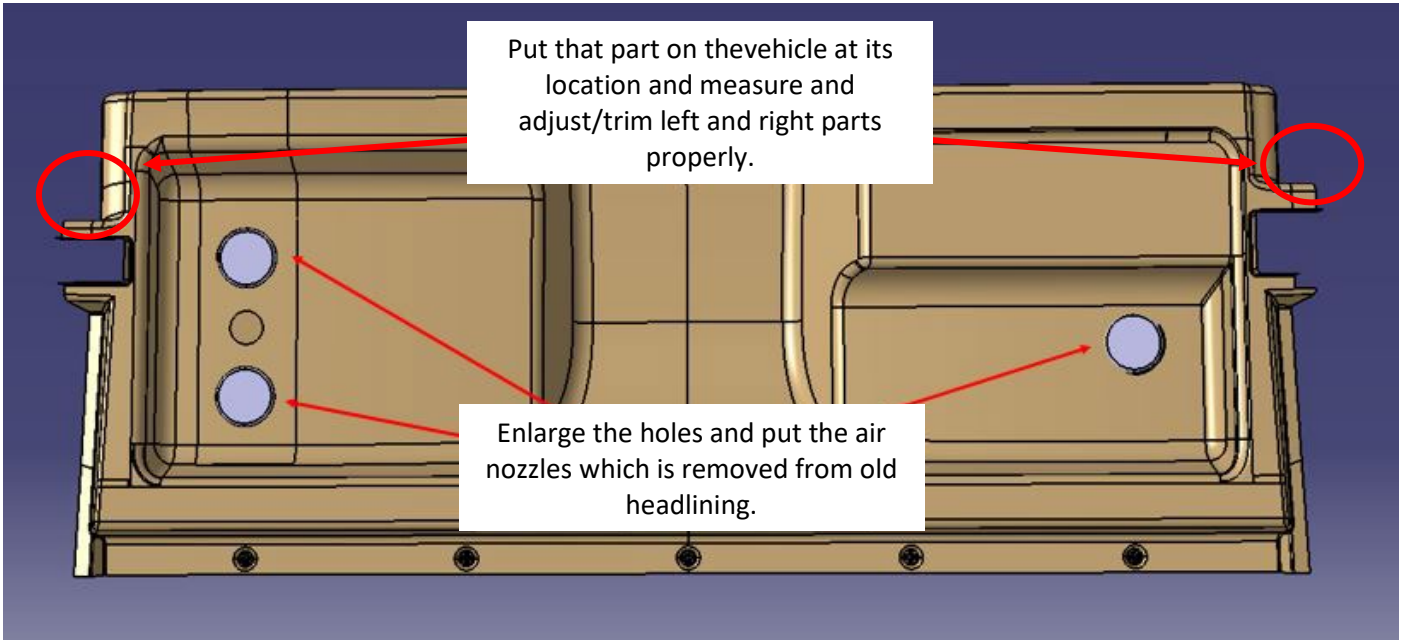


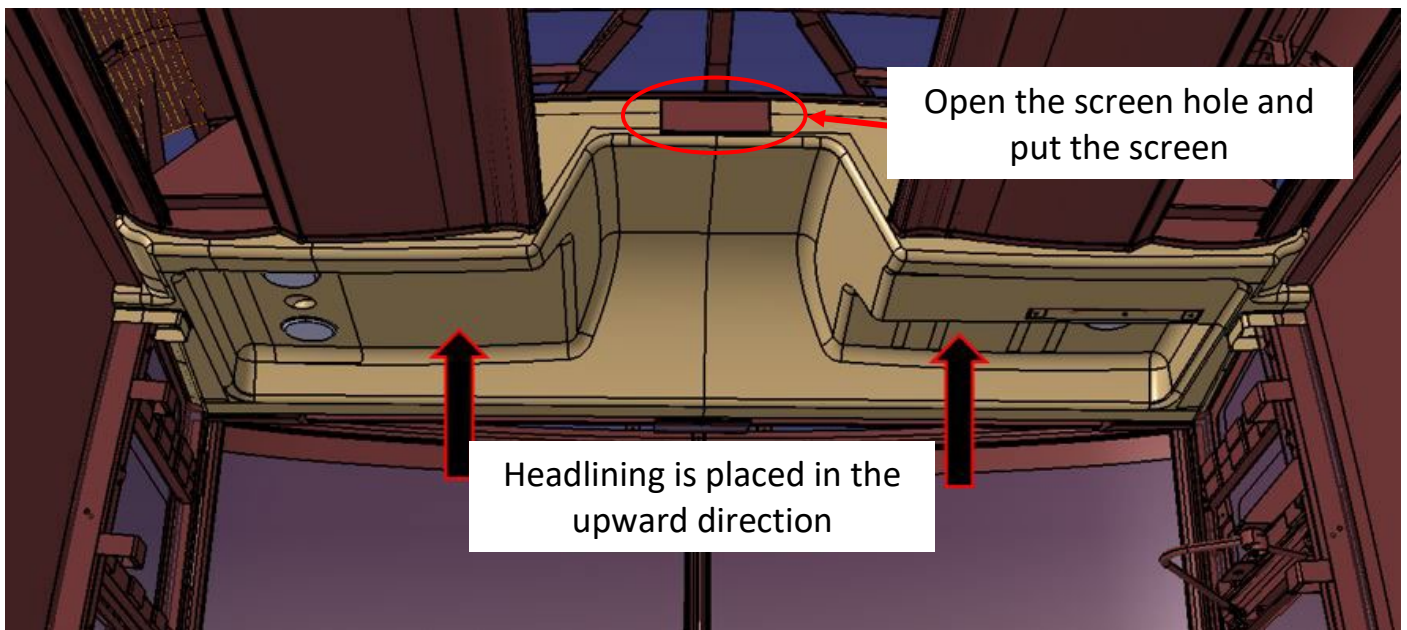
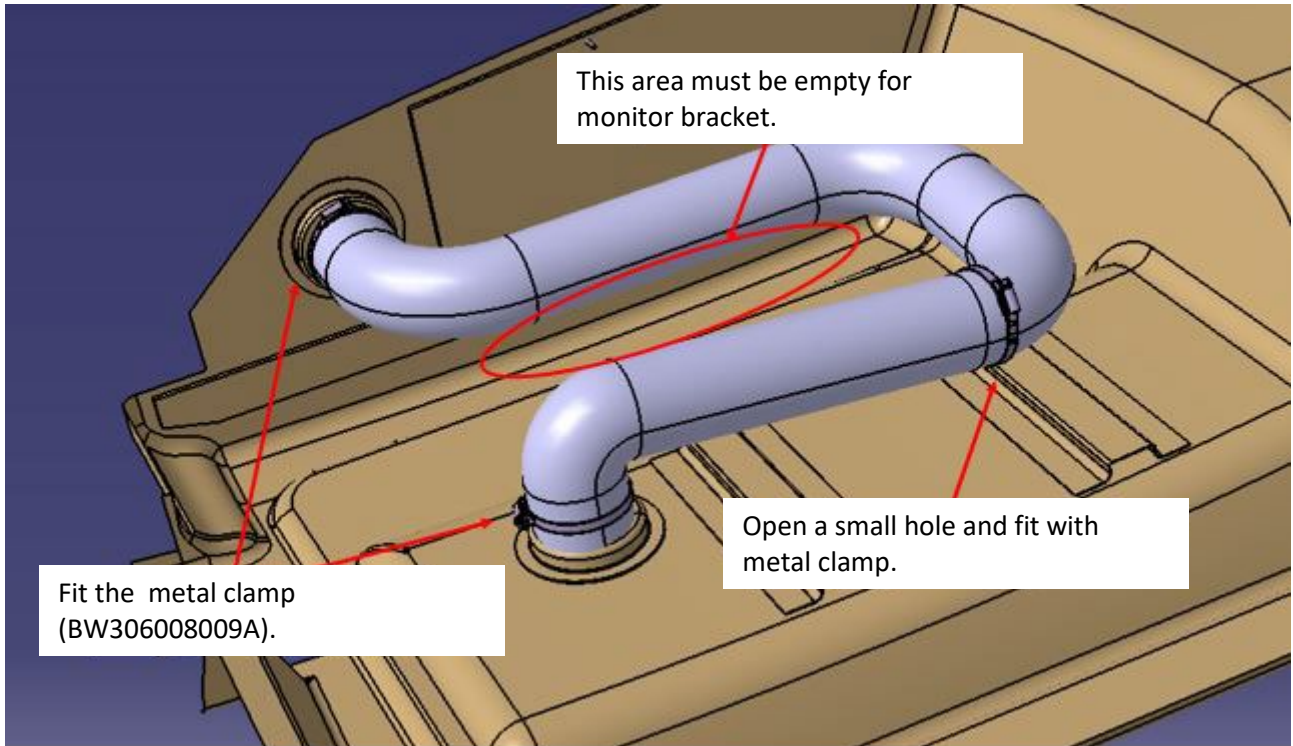


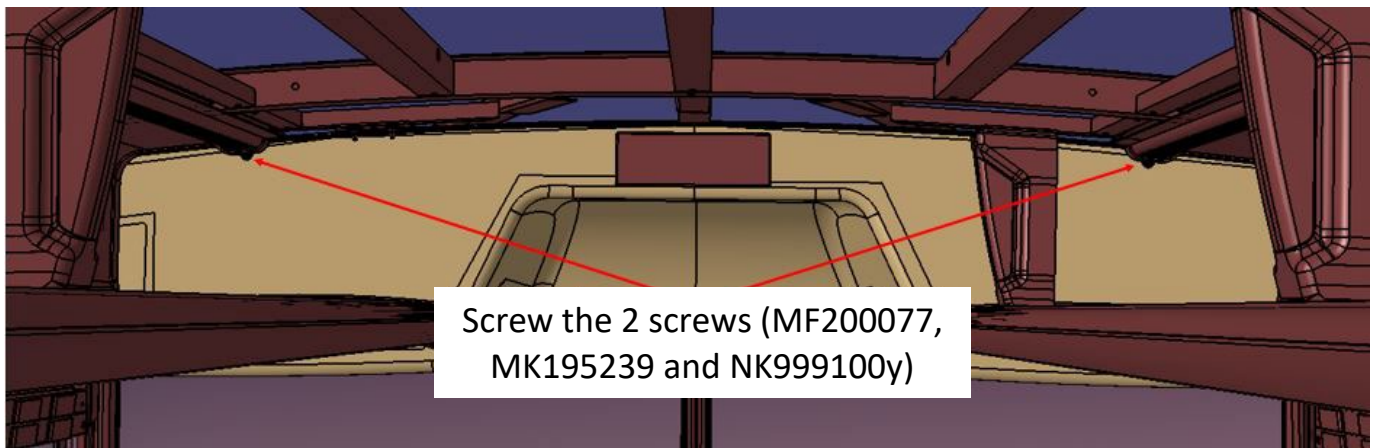
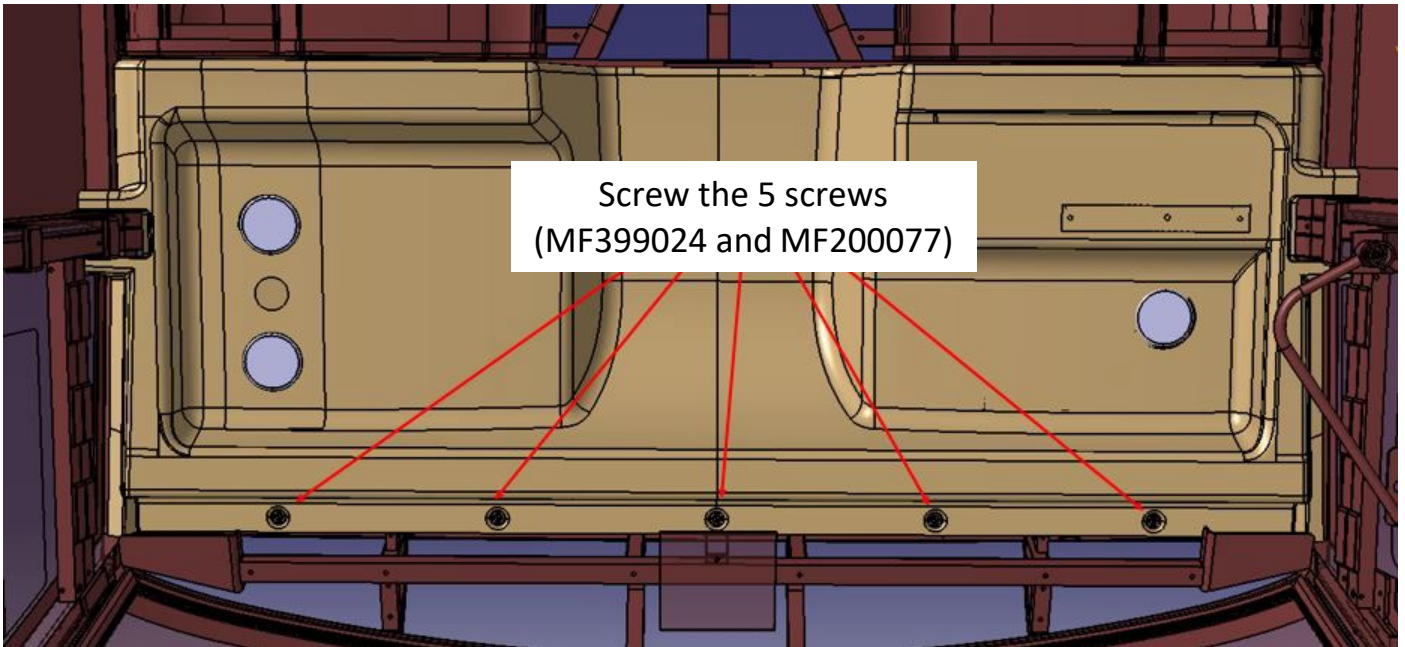




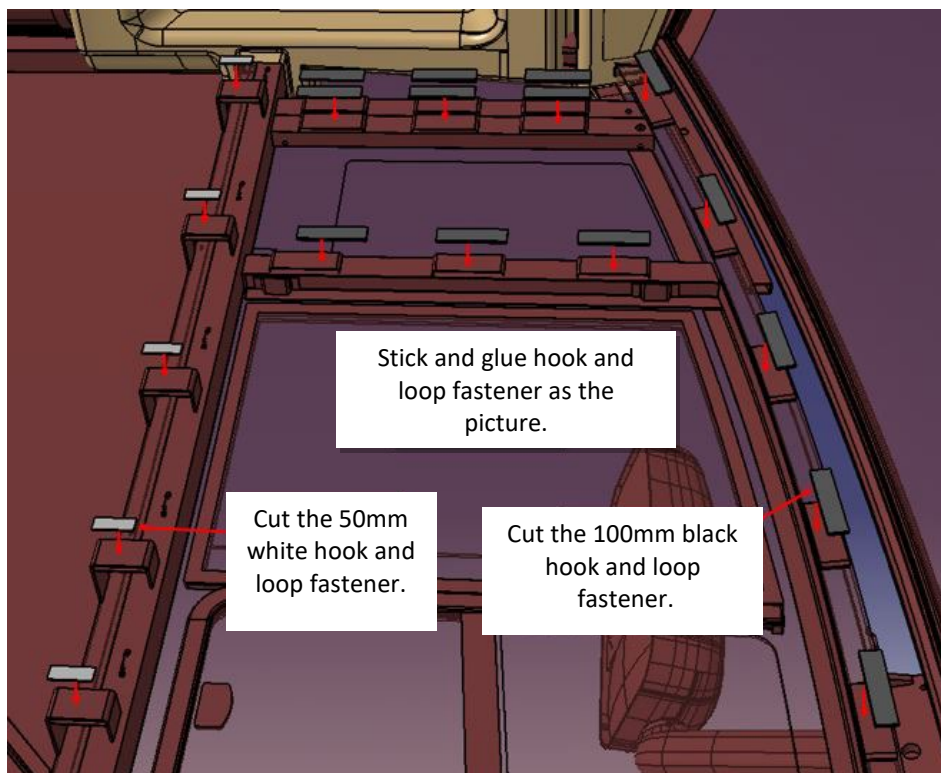
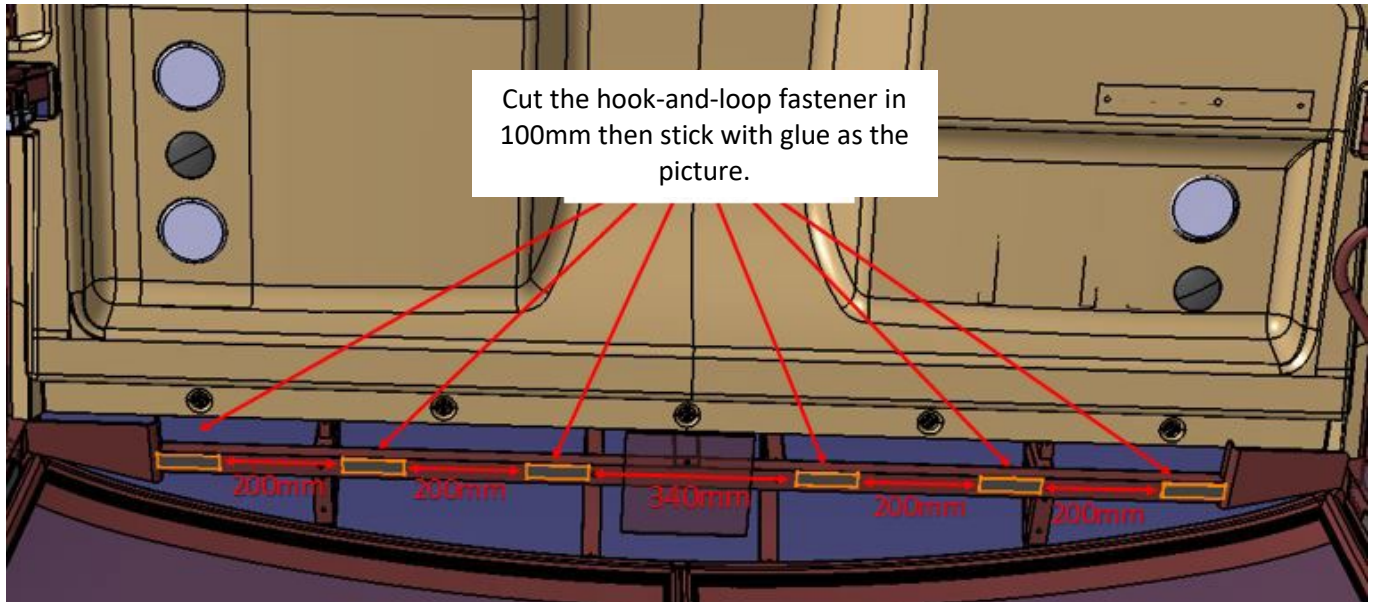
STEP 4

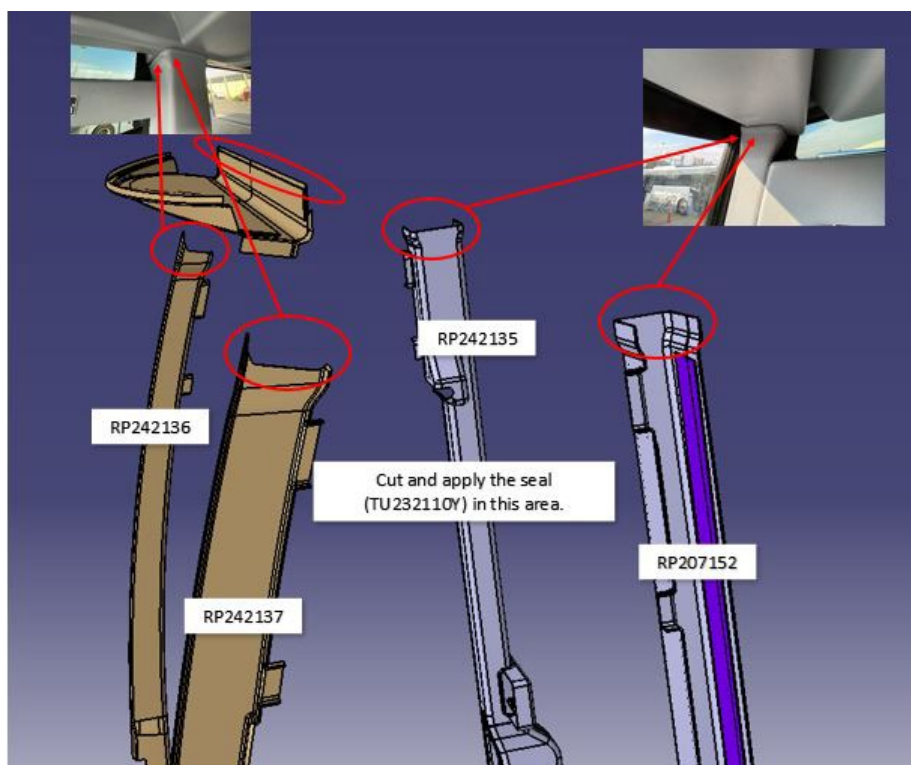




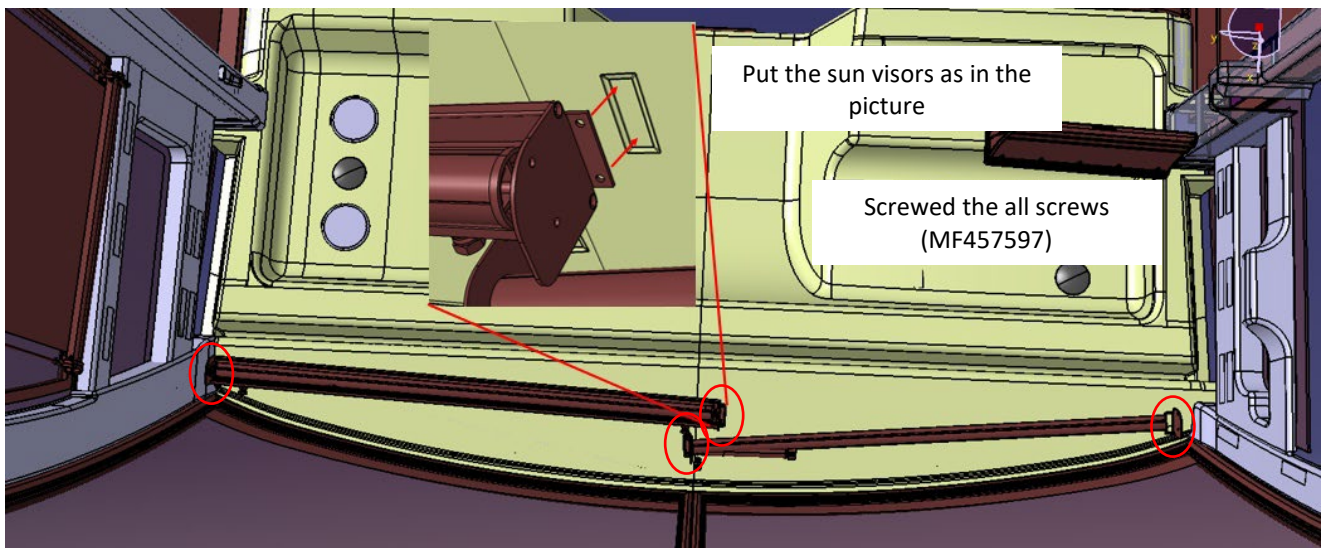
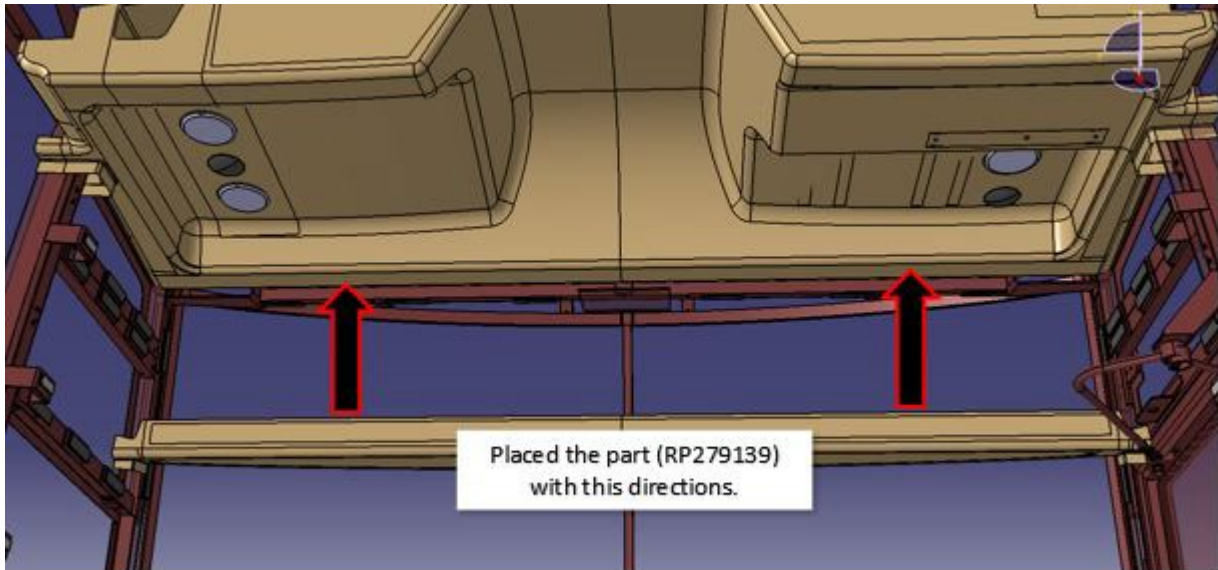


STEP 5



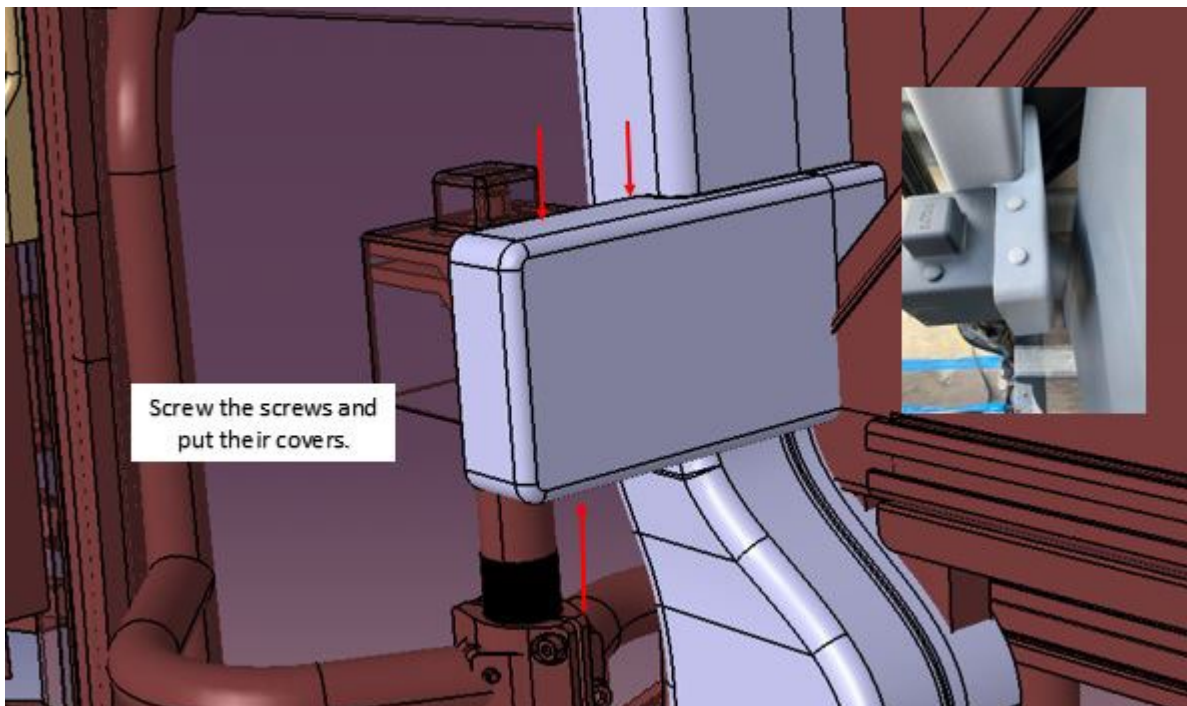
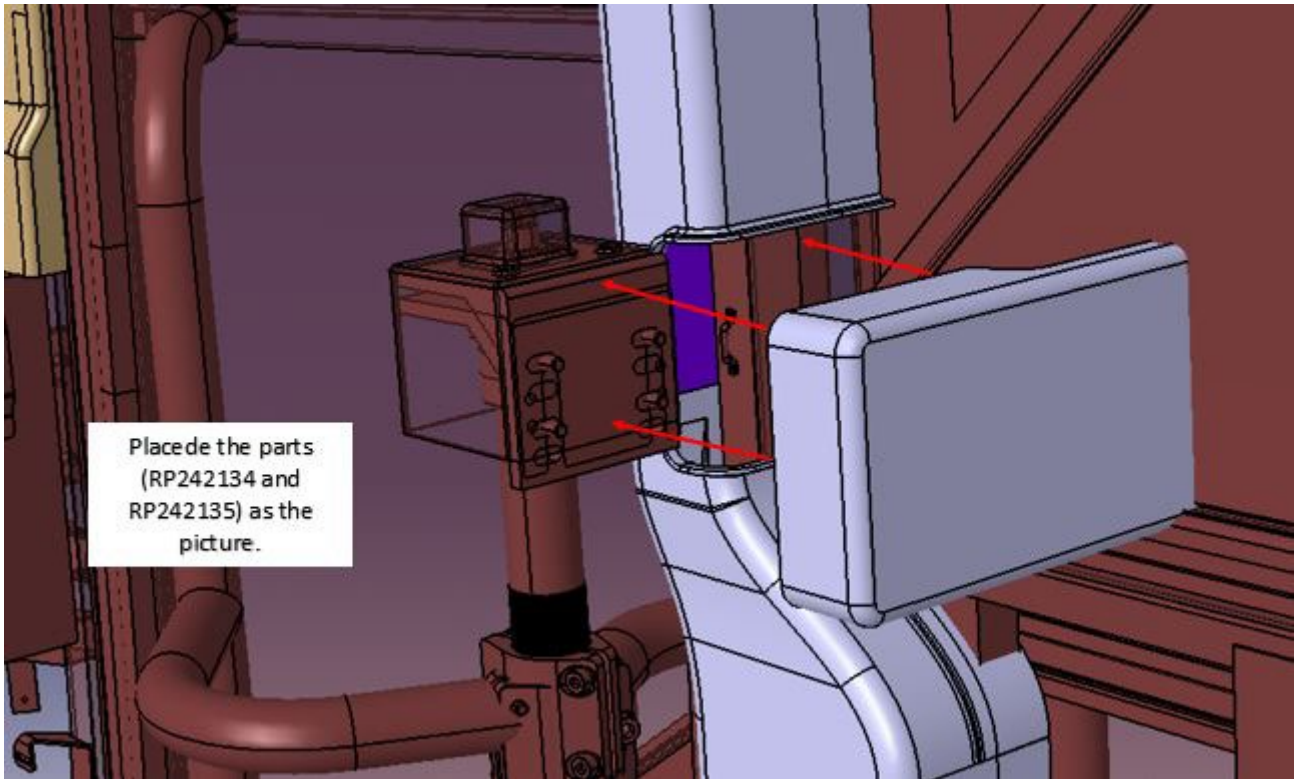


STEP 6

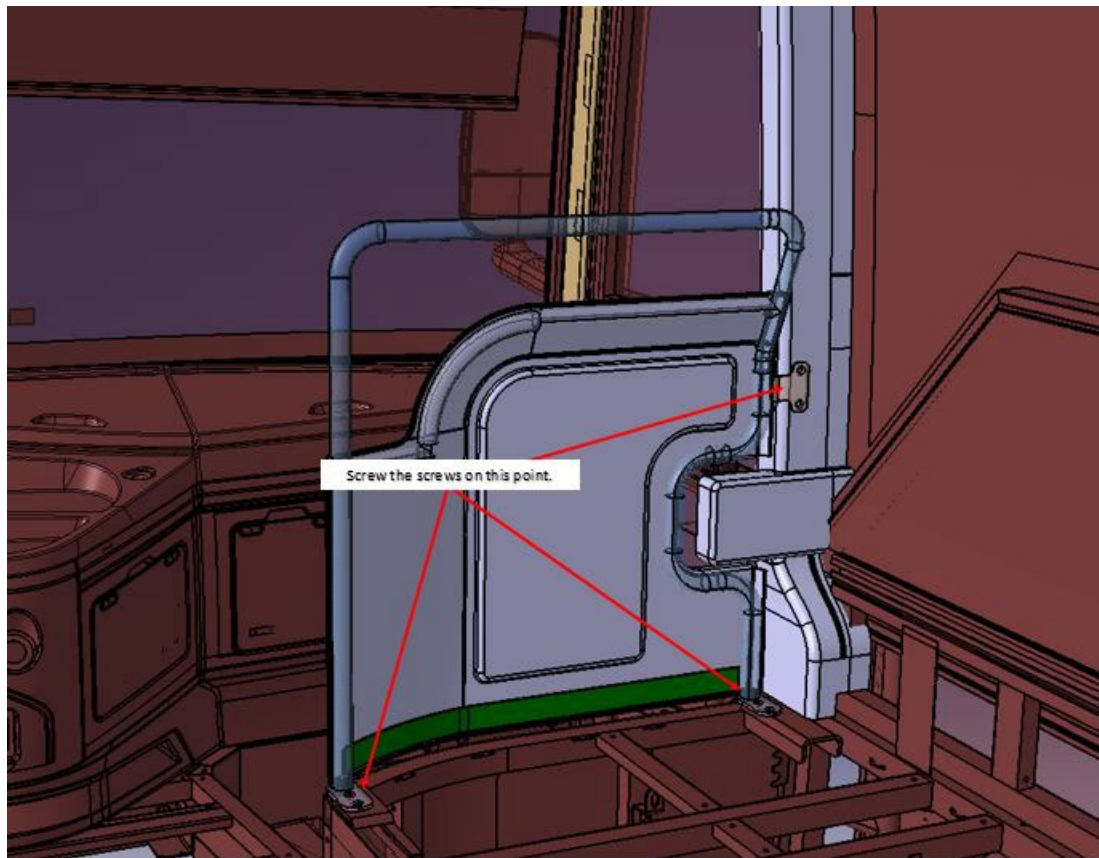








STEP 7





SERVICE BULLETIN

APPLICATION	TIME
Step 1: Remove monitor and side cover.	45
Step 2: Remove the spot lights, air nozzle and headlining.	45
Step 3: Welding sections.	360
Step 4: Assambly the air nozzle headlining and screws.	240
Step 5: Cut the fasteners and placed their places.	90
Step 6: Mount the headlinig and side cover.	400
Step 6: Assambly the partition wall and monitor.	30
Total Labor Time	1210 Min.

AFFECCTED VEHICLE LIST

No	Chassis No	Country
1	NLTAPLM54K1000200	AMERICA
2	NLTAPLM56L1000202	AMERICA
3	NLTAPLM58L1000203	AMERICA
4	NLTAPLM5XL1000204	AMERICA
5	NLTAPLM51L1000205	AMERICA
6	NLTAPLM53L1000206	AMERICA
7	NLTAPLM55L1000207	AMERICA
8	NLTAPLM57L1000208	AMERICA
9	NLTAPLM59L1000209	AMERICA
10	NLTAPLM55L1000210	AMERICA
11	NLTAPLM57L1000211	AMERICA
12	NLTAPLM59L1000212	AMERICA
13	NLTAPLM50L1000213	AMERICA
14	NLTAPLM52L1000214	AMERICA
15	NLTAPLM54L1000215	AMERICA
16	NLTAPLM56L1000216	AMERICA
17	NLTAPLM58L1000217	AMERICA
18	NLTAPLM5XL1000218	AMERICA
19	NLTAPLM51L1000219	AMERICA
20	NLTAPLM58L1000220	AMERICA
21	NLTAPLM5XL1000221	AMERICA
22	NLTAPLM51L1000222	AMERICA
23	NLTAPLM53L1000223	AMERICA
24	NLTAPLM55L1000224	AMERICA
25	NLTAPLM57L1000225	AMERICA
26	NLTAPLM59L1000226	AMERICA
27	NLTAPLM50L1000227	AMERICA
28	NLTAPLM52L1000228	CANADA
29	NLTAPLM54L1000229	CANADA
30	NLTAPLM59M1000230	CANADA