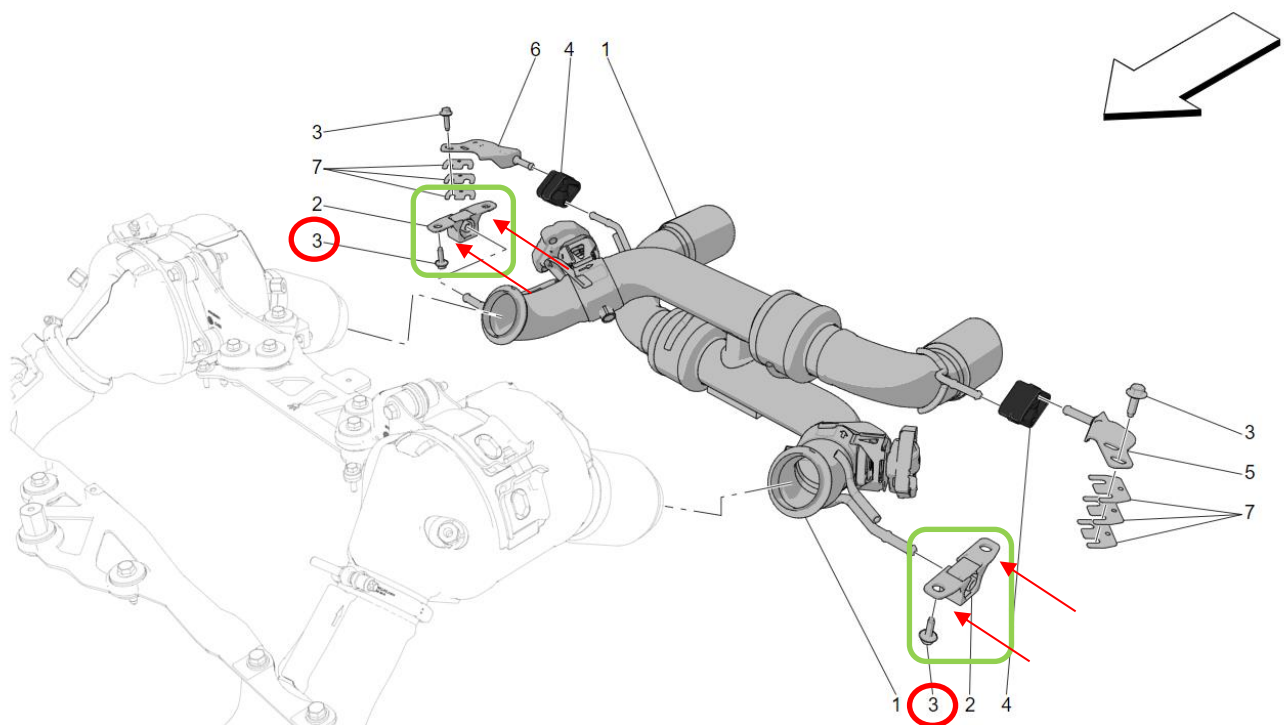


MAS003031 (MSC 22-10)

Campaign 492
FROM Maserati TSO
TO Maserati Network



Service Campaign 492 MC20 – Silencer bracket screws presence check



DATE: April 6 2022

Certain Maserati MC20 (M240) vehicles listed in ModisCs+ are involved in a Service Campaign for possible missing Silencer Isolator Bracket screw(s). Always check in ModisCS+ to see if the vehicle is involved in this campaign and if the campaign has not been previously performed.

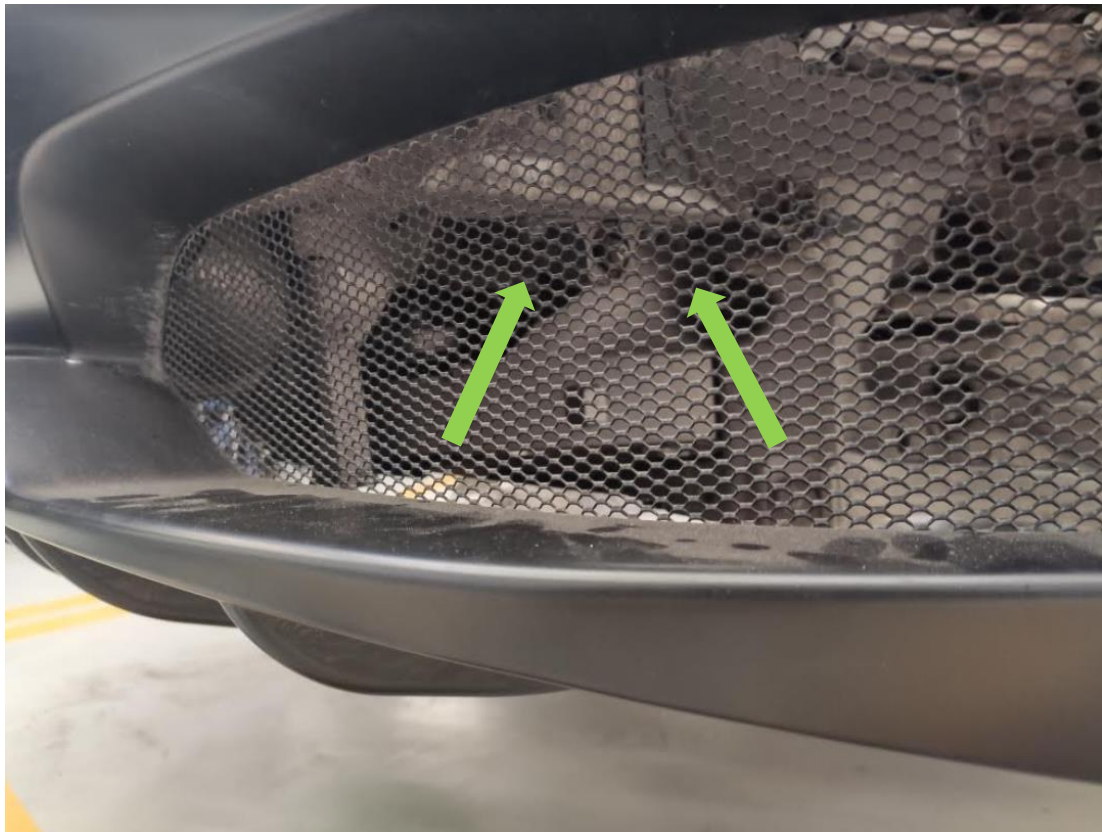
If you have any questions, contact your Regional AfterSales Manager or the Technical Support Helpdesk.

Inspection Procedure

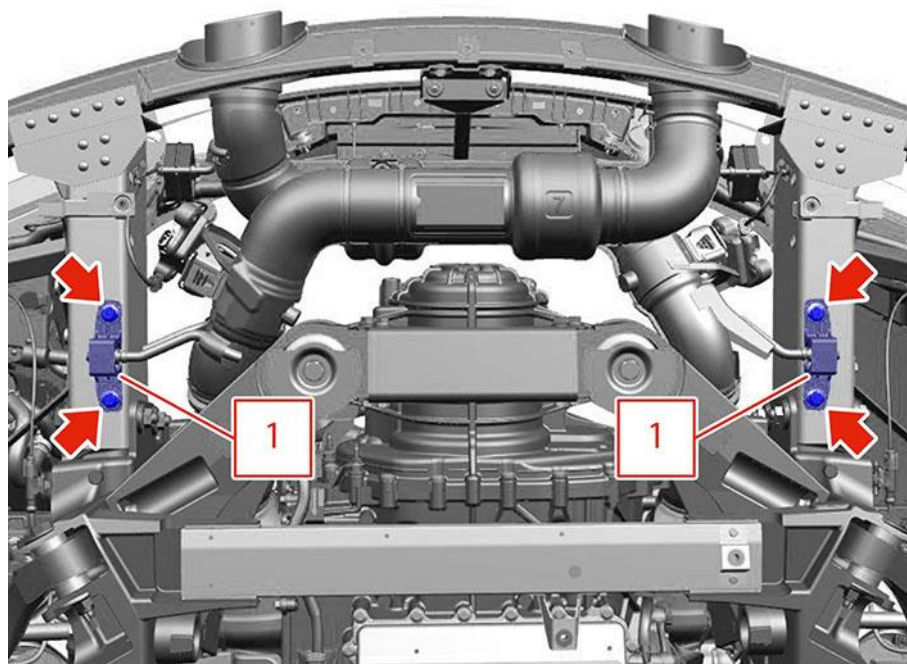
1. The visual check can be easily completed without any dismantling action and can be inspected from the ventilation grilles in the rear bumper.



2. Locate the screws as indicated in the pictures below.



3. Check for the presence of the 4 screws (2 on the left and 2 on the right side).
 - OK: The screws are present. -> The inspection is finished. No other actions are required.
 - NOT OK: The screws are not present. -> Continue to **Step 4**.



4. Remove the REAR Wheelhouse Guard to access the Silencer Isolator Bracket screws, following the procedure: **9.13.003 - 9.13.004 REAR WHEELHOUSE GUARD**, in the workshop manual.
5. Install any missing screw(s) and tighten to 24Nm.
6. The procedure is completed

Warranty Claim

Complete the warranty claim as follows:

Description	Code
Campaign Number	492
Warranty Code	23
Fault Code	063
Component Code	1.81.061
Operation Code	
Check	1.81.061.A(0.05h)
Screws Fitting	1.81.061.B (0.75h)
Screws	PN675001245