

<b>Subject:</b> <b>TIMING CHAIN CRANKSHAFT TIMING MARKS ARE INCONSISTENT WITH WSM INSTALLATION PROCEDURE (2.5T)</b>	<b>Service Alert No.: SA-018/22</b>
	<b>Last Issued : 04/06/2022</b>

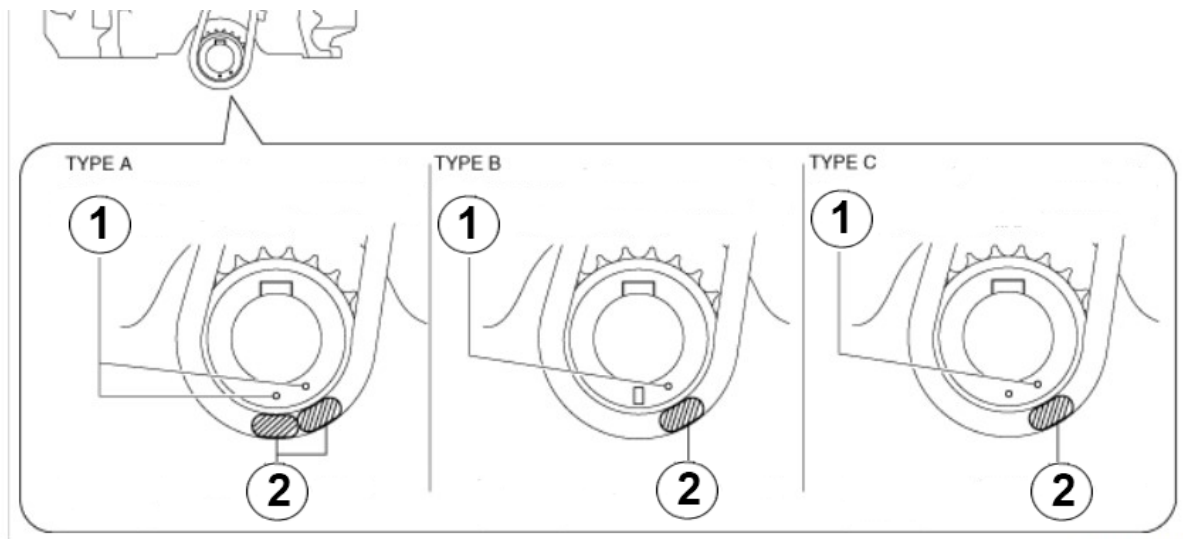
## BULLETIN NOTES

### APPLICABLE MODEL(S)/VINS

2016-2022 CX-9  
 2018-2022 CX-5  
 2018-2021 Mazda6  
 2020-2022 Mazda3  
 2020-2022 CX-30

### DESCRIPTION

The WSM shows 3 possible crankshaft sprocket and timing chain combinations (Type A, B and C), but some vehicles have been produced with a combination of Type A timing chain with 2 yellow-colored links with a Type B crankshaft sprocket.

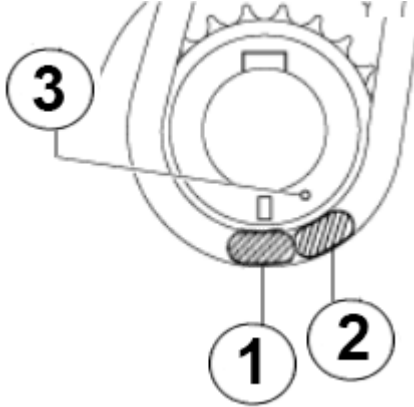


1	Crankshaft Sprocket Timing Chain Alignment Mark
2	Timing Chain Alignment Mark (Yellow)

**CONSUMER NOTICE:** The information and instructions in this bulletin are intended for use by skilled technicians. Mazda technicians utilize the proper tools/ equipment and take training to correctly and safely maintain Mazda vehicles. These instructions should not be performed by "do-it-yourselfers." Customers should not assume this bulletin applies to their vehicle or that their vehicle will develop the described concern. To determine if the information applies, customers should contact their nearest authorized Mazda dealership. Mazda North American Operations reserves the right to alter the specifications and contents of this bulletin without obligation or advance notice. All rights reserved. No part of this bulletin may be reproduced in any form or by any means, electronic or mechanical--including photocopying and recording and the use of any kind of information storage and retrieval system ---without permission in writing.

**REPAIR PROCEDURE**

In order to set the cam timing with the 2 yellow chain links to either Type B or Type C crankshaft sprocket, align the *trailing* yellow cam chain link (2) with the dot on the sprocket that is in the 5:00 position (3).



1	Leading Link
2	Trailing Link

**CONSUMER NOTICE:** The information and instructions in this bulletin are intended for use by skilled technicians. Mazda technicians utilize the proper tools/ equipment and take training to correctly and safely maintain Mazda vehicles. These instructions should not be performed by "do-it-yourselfers." Customers should not assume this bulletin applies to their vehicle or that their vehicle will develop the described concern. To determine if the information applies, customers should contact their nearest authorized Mazda dealership. Mazda North American Operations reserves the right to alter the specifications and contents of this bulletin without obligation or advance notice. All rights reserved. No part of this bulletin may be reproduced in any form or by any means, electronic or mechanical---including photocopying and recording and the use of any kind of information storage and retrieval system ---without permission in writing.