



# Service Bulletin

Bulletin No.: 22-NA-083

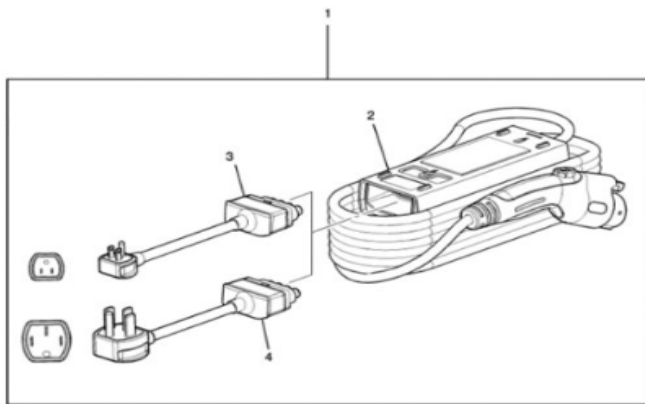
Date: April, 2022

## TECHNICAL

**Subject: Requirements for Replacement of the Dual Mode Charge Cord Set Under Warranty**

Brand:	Model:	Model Year:		VIN:		Propulsion:	Drive Unit:
		from	to	from	to		
Chevrolet	Bolt EUV	2022	2022	—	—	—	—
GMC	HUMMER EV						

Involved Region or Country	North America Only
<b>Condition</b>	<p>When replacing the dual mode charge cord set under warranty, you must order the full cable kit, part number 85163382. Do not order one or two of the individual components. Return all three customer components, (1) charge cord body, and (2) swappable grid plugs when the parts are requested by the GM Warranty Parts Center.</p> <p><b>Note:</b> Failure to return all three components may result in a debit of the warranty claim.</p> <p>Charge cords are not to be replaced due to customer abuse or failure to comply with cord set instructions.</p> <p>Many cord sets are returned without any trouble found. Additional information is appreciated on the repair order as to why the cord set is being replaced; such as the LED light status, which grid plug was being used, etc.</p>
<b>Cause</b>	<p>The product quality team requests all three components be returned to perform proper root cause analysis on the returned assembly.</p>
<b>Correction</b>	<p>Refer to SI procedures and other published bulletins to aid in cord set diagnosis for known customer induced issues prior to replacing the cord set under warranty.</p> <p><b>Note:</b> Replacing a cord set for a customer induced condition may result in a debit of the warranty claim. Warranty coverage is for manufacturing defects.</p> <p><b>Note:</b> The individual components are available to repair customer induced, non-warranty conditions.</p>



6045731

- 1. Cable Kit
- 2. Cord Set Body (Module)
- 3. 120v Plug
- 4. 240v Plug

### Parts Information

Description	Part Number
CABLE KIT (Includes cord body and both grid plugs)	85163382
DO NOT REPLACE UNDER WARRANTY (Module)	24044913
DO NOT REPLACE UNDER WARRANTY (120v Plug)	24295528
DO NOT REPLACE UNDER WARRANTY (240v Plug)	24295536

### Warranty Information

For vehicles repaired under warranty, use:

**Important:** Portable charge cords are covered under the new vehicle bumper-to-bumper warranty (Canada Base Warranty).

Labor Operation	Description	Labor Time
5040230	Drive Motor Battery Charger Cable Kit Replacement	Use Published Labor Operation Time

Version	1
Modified	Released April 19, 2022

