



FIELD SERVICE CAMPAIGN – 22101

07 April 2022

SUBJECT:

Grille Assembly

MODELS INVOLVED:

International® MV™ Series trucks

DEFECT DESCRIPTION:

Certain International® MV™ Series trucks may have grilles that could experience premature bubbling or peeling.

ELIGIBILITY:

This procedure applies ONLY to vehicles marked in the International® Service PortalSM with FSC 22101. Also complete any other open campaigns listed on the Service Portal at this time.

TOOLS REQUIRED:

No special tools required.

PARTS INFORMATION:

See table at the end of the document for specific VIN and part information.

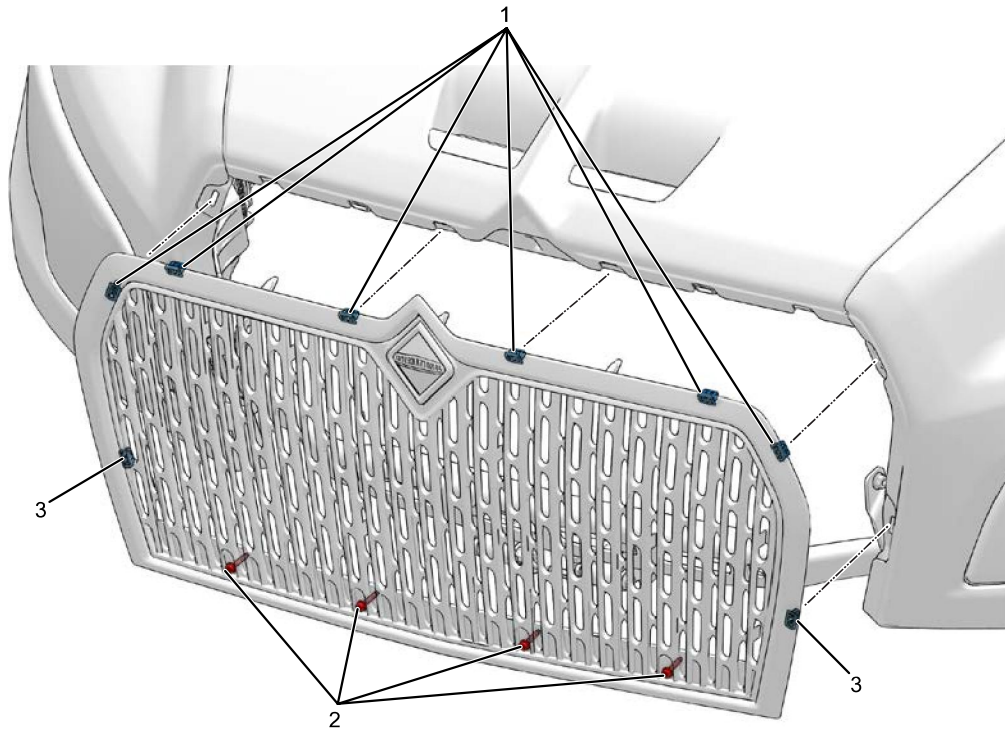
WORK INSTRUCTIONS

WARNING! To prevent personal injury and / or death, or damage to property, park vehicle on hard flat surface, turn the engine off, set the parking brake, and install wheel chocks to prevent the vehicle from moving in both directions.

WARNING! To prevent personal injury and / or death, always wear safe eye protection when performing vehicle maintenance.

WARNING! To prevent personal injury and / or death, or damage to property, keep flames or sparks away from vehicle and do not smoke while servicing the vehicle's batteries. Batteries expel explosive gases.

1. Park vehicle on level surface.
2. Shift transmission into Park or Neutral and set parking brake.
3. Turn ignition to Key OFF position.
4. Install wheel chocks.
5. Determine if the vehicle has a single piece grille assembly or grille surround assembly and radiator mounted grille. For detailed information, see table at the end of the document.
 - a. If vehicle has a single piece grille assembly: perform steps 6 through 15.
 - b. If vehicle has a grille surround assembly and radiator mounted grille; perform steps 16 through 31.



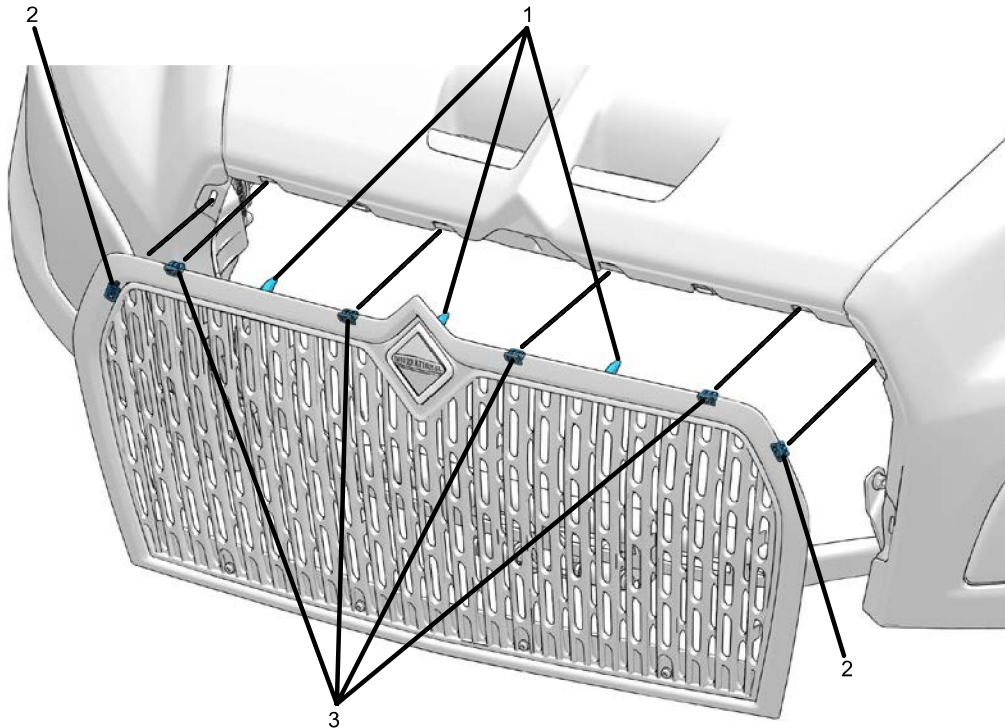
0000472881

Figure 1. Grille Assembly

1. Top spring clip (6)
2. Grille assembly bolt (4)
3. Lower spring clip (2)

CAUTION! To prevent damage to property, remove and / or install components carefully to avoid any damage.

6. Remove grille assembly bolts (Figure 1, Item 2). Save bolts for reuse.
7. Disengage lower spring clips (Figure 1, Item 3).
8. Disengage top spring clips (Figure 1, Item 1).
9. Remove grille assembly and discard.

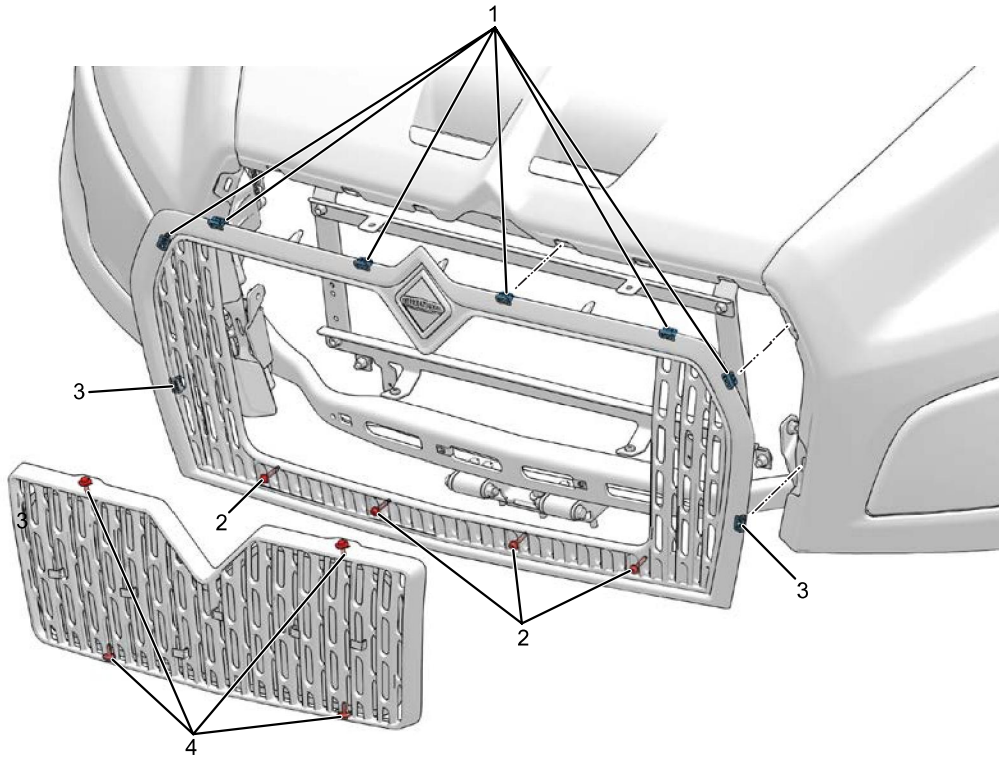


0000472882

Figure 2. Grille Assembly Alignment

1. Grille alignment peak (3)
2. Top outer spring clip (2)
3. Top spring clip (4)

10. Install new grille assembly, first align the grille alignment peaks (Figure 2, Item 1).
11. Align and press down firmly to install top outer spring clips (Figure 2, Item 2). For this step, it may require additional force to align and insert these two spring clips.
12. Press down firmly to install top spring clips (Figure 2, Item 3).
13. Press down firmly to install lower spring clips (Figure 1, Item 3).
14. Install grille assembly bolts (Figure 1, Item 2). Torque bolts to 62 in-lbs (7 N·m).
15. Proceed to step 31.



0000472884

Figure 3. Grille Surround and Radiator Mounted Grille

1. Top Spring Clip (6)
2. Grille surround assembly bolt (4)
3. Lower spring clip (2)
4. Radiator mounted grille assembly bolt (4)

CAUTION! To prevent damage to property, remove and / or install components carefully to avoid any damage.

16. Remove grille surround assembly bolts (Figure 3, Item 2). Save bolts for reuse.
17. Disengage lower spring clips (Figure 3, Item 3).
18. Disengage top spring clips (Figure 3, Item 1).
19. Remove grille surround assembly and discard.

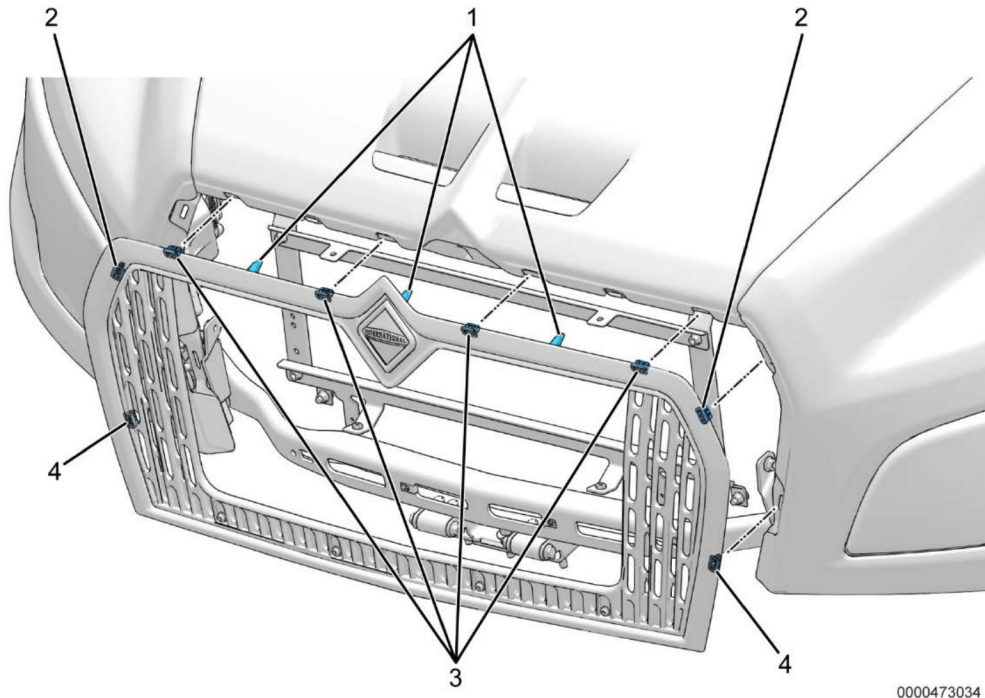


Figure 4. Grille Surround Assembly

1. Grille surround alignment peak (3)
2. Top outer spring clip (2)
3. Top spring clip (4)
4. Lower spring clip (2)

20. Install new grille surround assembly, first align the grille surround alignment peaks (Figure 4, Item 1).
21. Align and press down firmly to install top outer spring clips (Figure 4, Item 2). For this step, it may require additional force to align and insert these 2 spring clips.
22. Press down firmly to install top spring clips (Figure 4, Item 3).
23. Press down firmly to install lower spring clips (Figure 4, Item 4).
24. Install grille surround assembly bolts (Figure 3, Item 2). Torque bolts to 62 in-lbs (7 N·m).
25. Unlatch and open hood.
26. Remove radiator mounted grille assembly bolts (Figure 3, Item 4). Save bolts for reuse.

27. Remove radiator mounted grille assembly and discard.
28. Install new radiator mounted grille assembly.
29. Install grille assembly bolts (Figure 3, Item 4). Torque bolts to 62 in-lbs (7 N·m).
30. Close and latch hood.
31. Remove wheel chocks.

LABOR INFORMATION

Operation number must appear on all claims.

Operation Number	Description	Time
A40-22101-1	Replace grille only	0.4 hrs
A40-22101-2	Replace grille and surround	0.5 hrs

Table 1 Labor Information

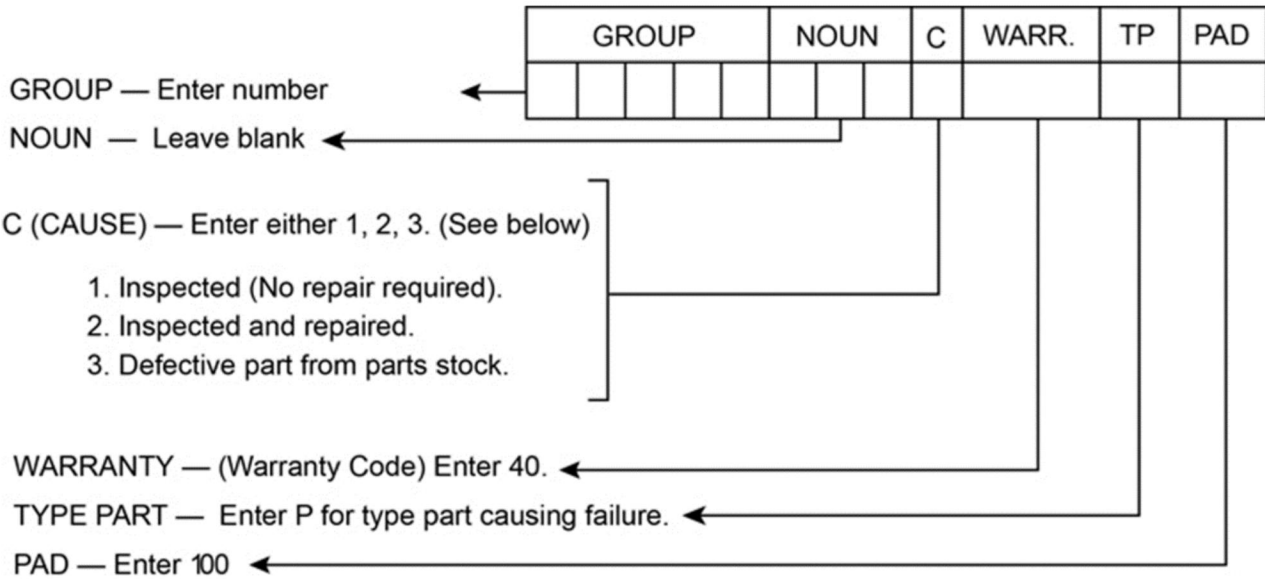
WARRANTY CLAIMS

Warranty claim expense is to be charged to Warranty. Claims are to be submitted in the normal manner, making reference to Field Service Campaign 22101.

Section 7 of the Warranty Policy and Procedures Manual contains further information related to the submission and processing of AFC / Recall claims.

As with all claim submissions, items acquired locally must be submitted in the “Other Charges” tab. The cost of any bulk items (such as a bag of cable tie straps, roll of wire, barrel of oil, or tube of silicone) should be prorated for the cost of the individual pieces / amount used during each repair.

To make sure this important improvement is made in a timely manner, all claims for 22101 activity must be submitted by 07 April 2023 or within the normal warranty period for the component repaired, if after 07 April 2023.



0000047910

PARTS REQUIRED:

VIN #	Part Number	Description	Quantity
3HAEUMML4PL288846 3HAEUMML4PL867898 3HAEUMML7PL535907 3HAEUMMM1PL191824 3HAEUMMN2PL424375 3HAEUMMN4PL424376	4131914C94	GRILLE, ASM, LOW CAB, W/CHROME	1
3HAEUMML1PL381758 3HAEUMML3PL230873 3HAEUMML8PL266364 3HAEUMML9PL439213 3HAEUMML9PL854662 3HAEUMMLXPL363114	4131915C94	GRILLE, ASM, LOW CAB, W/CHROME AND BUGSCREEN	1
3HAEUMML0PL664376 3HAEUMML4PL867464 3HAEUMML4PL877380 3HAEUMML5PL453173 3HAEUMMN3PL877436 3HAEUTAN3PL869822 3HAEUTAN4PL266362 3HAEUTAN6PL266363 3HAEUTANXPL877514	4131922C94	GRILLE, ASM, MID CAB, W/CHROME	1

3HAEUMML1PL086076 3HAEUMML3PL601613 3HAEUMML4PL131821 3HAEUMML5PL601614 3HAEUMMLXPL861894 3HAEUMMM8PL440135 3HAEUMMN3PL265690 3HAEUMMP0PL132063 3HAEUMMP1PL601595 3HAEUMMP2PL132064 3HAEUMMP3PL601596 3HAEUMMP4PL132065 3HAEUMMP6PL132066 3HAEUMMP8PL132067 3HAEUTAN9PL295694 3HAEUTAN9PL814470 3HAEVTAR0PL440055 3HAEVTAR3PL364167	4131923C94	GRILLE, ASM, LOW CAB, W/CHROME AND BUGSCREEN	1
3HAEUMMN3PL494550	4131919C92	GRILLE, ASM, RAD MTD W/SCREEN	1
	4131917C94	GRILLE, SURROUND ASSY, W/CHROME BEZEL	1
3HAEUTAN6PL423955	4131919C92	GRILLE, ASM, RAD MTD W/SCREEN	1
	4131916C93	GRILLE, SURROUND ASSY, N/ BEZEL	1
3HAEUMMRXPL102179	4131917C94	GRILLE, SURROUND ASSY, W/CHROME BEZEL	1
	4131919C92	GRILLE, ASM, RAD MTD W/SCREEN	1
3HAEUTAN6PL433501	4131917C94	GRILLE, SURROUND ASSY, W/CHROME BEZEL	1
	4131919C92	GRILLE, ASM, RAD MTD W/SCREEN	1

Table 2 Parts Information