

# Front Brake Squeal/Squeak Noise

**Service Category** Brake

**Section** Brake (front)

**Market** USA

Toyota Supports  
ASE Certification 

## Applicability

YEAR(S)	MODEL(S)	ADDITIONAL INFORMATION
2021 - 2022	ES250	
2019 - 2022	ES300H, ES350	

## Introduction

Some 2021 – 2022 model year ES 250, and 2019 – 2022 model year ES 300h and ES 350 vehicles may exhibit a brake squeal/squeak noise from the front brake components. For customers who find these characteristics objectionable, an updated fitting kit is now available as a service part. Follow the Repair Procedures in this bulletin to address this condition.

## Warranty Information

OP CODE	DESCRIPTION	TIME	OFF	T1	T2
BR1940	R & R Front Shim Kit (Both Sides)	0.7	04465-0E060	36	99

### APPLICABLE WARRANTY

- This repair is covered under the Lexus Basic Warranty. This warranty is in effect for 36 months or 36,000 miles, whichever occurs first, from the vehicle's in-service date.
- Warranty application is limited to occurrence of the specified condition described in this bulletin.

## Front Brake Squeal/Squeak Noise

---

### Parts Information

PART NUMBER	PART NAME	QTY
04947-06130	Fitting Kit, Disc, Front	1

### Required Tools & Equipment

REQUIRED EQUIPMENT	SUPPLIER	PART NUMBER	QTY
ChassisEAR™ (or equivalent)	ADE	<a href="#">JSP06608</a> (JS Products)	1

**NOTE**

- A mechanic's stethoscope or similar tool may be used in place of ChassisEAR™.
- ChassisEAR™ may be ordered by calling Approved Dealer Equipment (ADE) at 1-800-368-6787.

### Repair Procedure

1. Confirm the condition exists.

**NOTE**

- Brake squeal may be more likely at slower speeds.
- If necessary, use ChassisEar™ (or equivalent) to help identify the source of the noise.

Does the vehicle exhibit a squeal/squeak noise from the front brake components?

- **YES** — Continue to step 2.
- **NO** — This bulletin does NOT apply. Continue diagnosis using the applicable Repair Manual.

2. Replace BOTH front brake fitting kit assemblies (outer side ONLY).

A. Remove the front brake pads.

Refer to TIS, applicable model and model year Repair Manual:

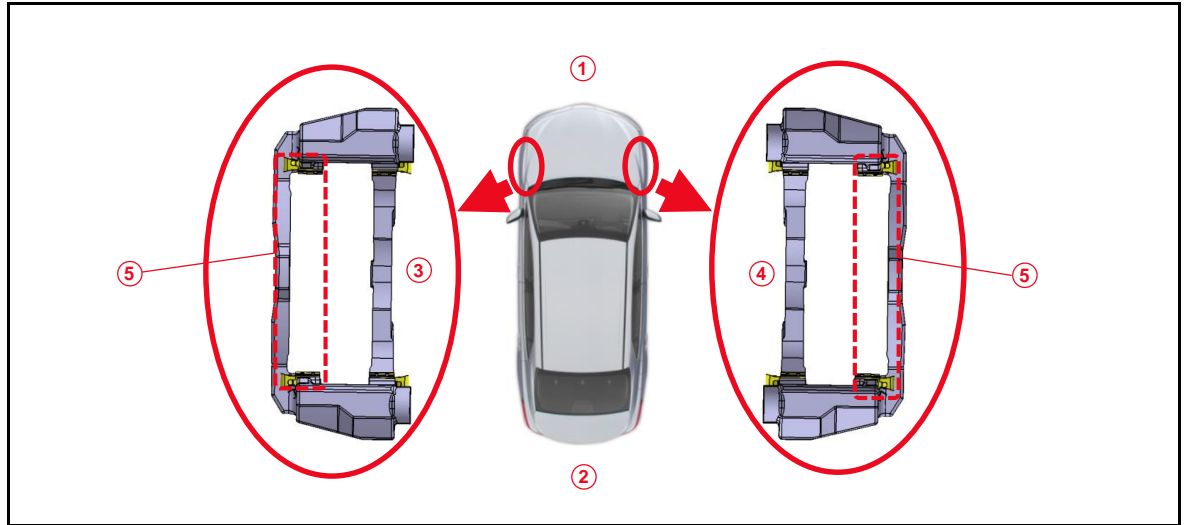
- 2021 ES 250:  
*Brake – Brake (Front)* – [“Brake \(Front\): Front Brake: Removal”](#)
- 2022 ES 250:  
*Brake – Brake (Front)* – [“Brake \(Front\): Front Brake: Removal”](#)
- 2019 – 2021 ES 300h, ES 350:  
*Brake – Brake (Front)* – [“Brake \(Front\): Front Brake: Removal”](#)
- 2022 ES 300h, ES 350:  
*Brake – Brake (Front)* – [“Brake \(Front\): Front Brake: Removal”](#)

## Front Brake Squeal/Squeak Noise

### Repair Procedure (continued)

B. Remove the outer side fitting kit assembly ONLY.

**Figure 1.**



1	Front
2	Rear
3	Left

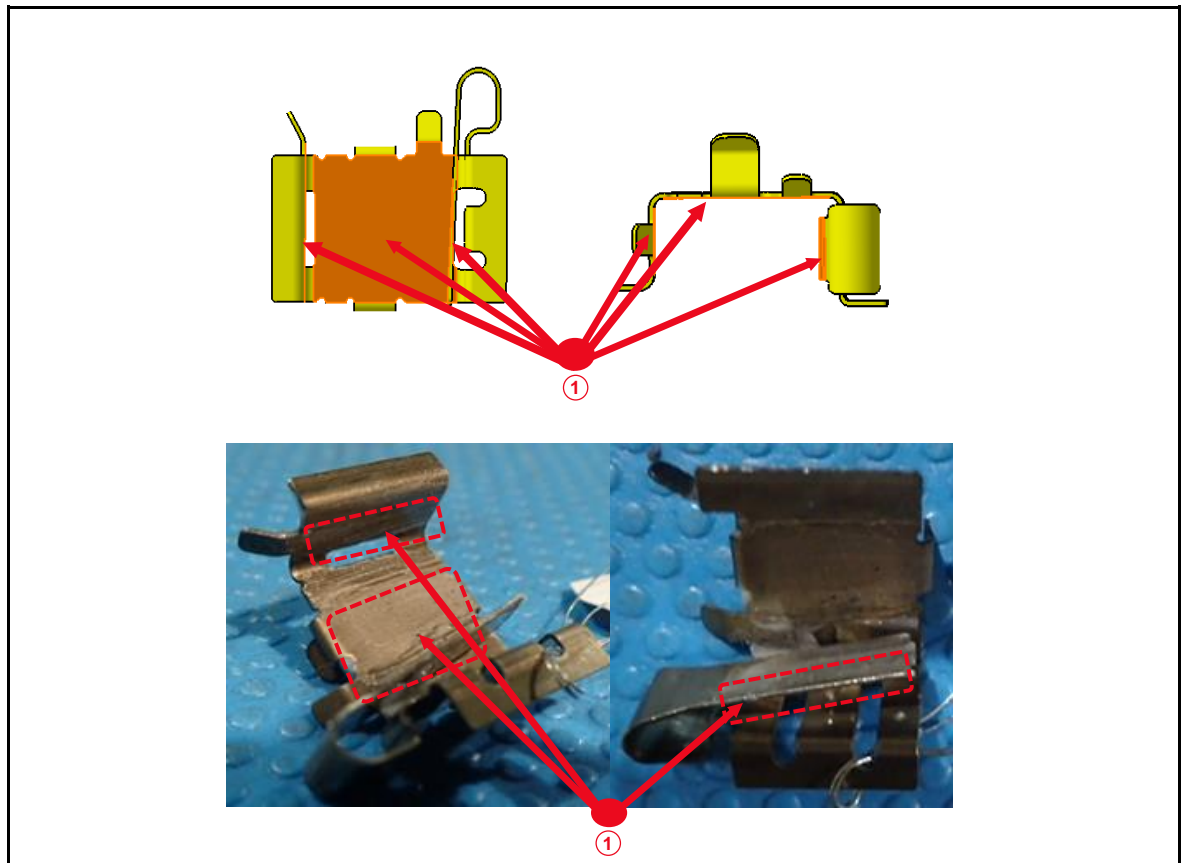
4	Right
5	Outer Side Fitting Kit Assembly

## Front Brake Squeal/Squeak Noise

### Repair Procedure (continued)

- C. Remove the four pieces from the fitting kit (P/N 04947-06130) and apply the Wako grease that is included in the kit.

**Figure 2.**



<b>1</b>	<b>Grease Location</b>
----------	------------------------

**NOTE**

Grease is to stay ONLY within the pad clip on specified areas (total Wako grease quantity: 0.0075g).

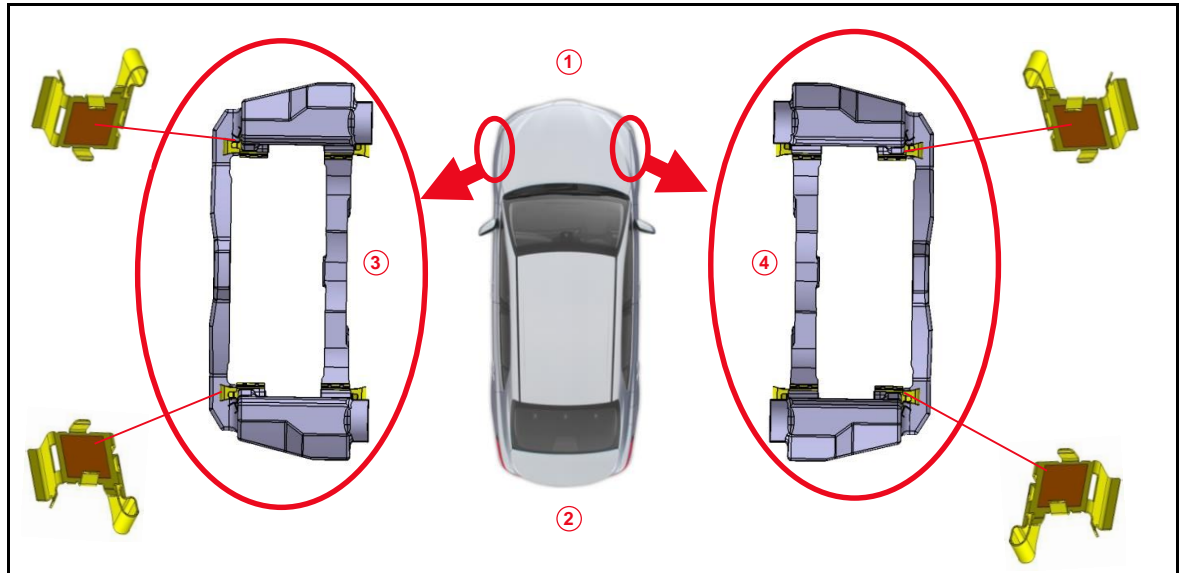
## Front Brake Squeal/Squeak Noise

### Repair Procedure (continued)

- D. Install the four fitting kit pieces with Wako grease applied onto the outer side of the caliper brackets.

Use the original fitting kit for the inner side of the bracket (P/N 04947-0E031).

**Figure 3.**



1	Front
2	Rear

3	Left
4	Right

- E. Install the front brake pads.

Refer to TIS, applicable model and model year Repair Manual:

- 2021 – 2022 ES 250:  
*Brake – Brake (Front)* – [“Brake \(Front\): Front Brake: Installation”](#)
- 2019 – 2022 ES 300h, ES 350:  
*Brake – Brake (Front)* – [“Brake \(Front\): Front Brake: Installation”](#)

3. Confirm the squeal/squeak noise is no longer present.