



Preliminary Information

PIT5898 Parts Alert Hummer EV Power Tonneau Cover

Models

Brand:	Model:	Model Years:	VIN:		Engine:	Transmissions:
			from	to		
GMC	HUMMER EV	2022	All	All	All	All

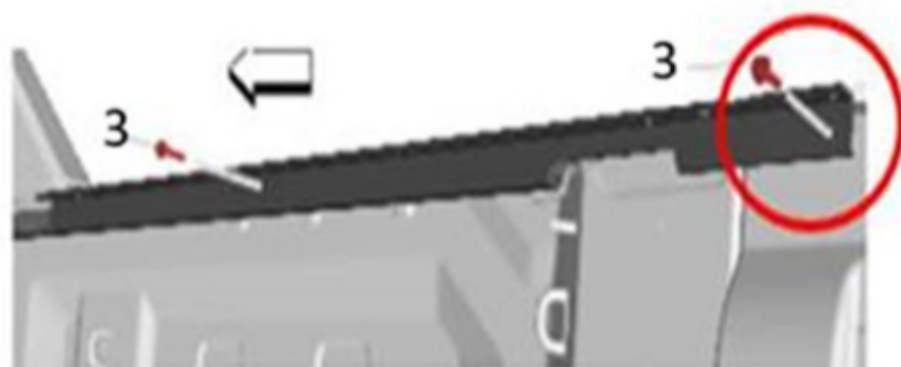
Involved Region or Country	North America
Additional Options (RPO)	
Condition	The power tonneau cover fails calibration and/or the rails maybe out of position
Cause	The side rail on the power tonneau maybe spread to far apart. If this happens it could cause the cover not to contact the position switches at the end of the rail. This will cause the cover to hit the tailgate and start to run back in and then stop.

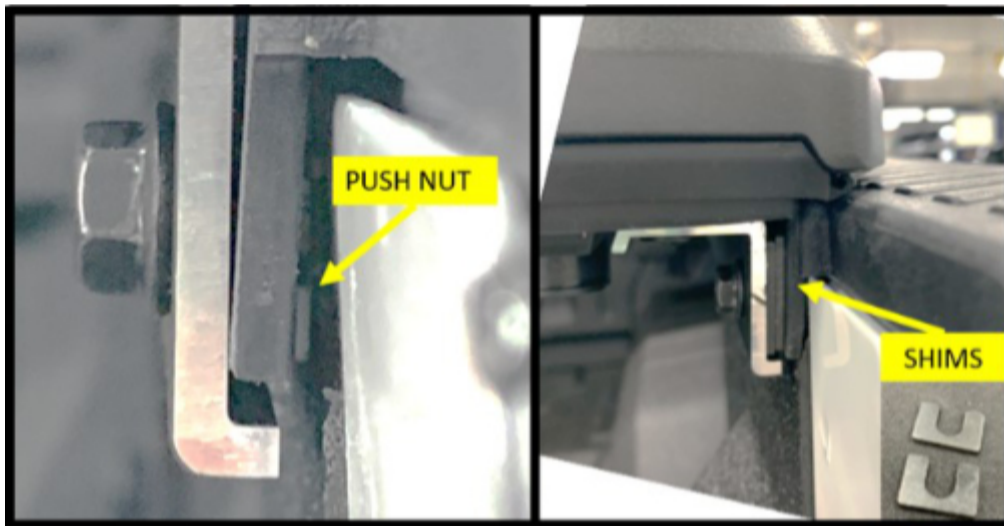
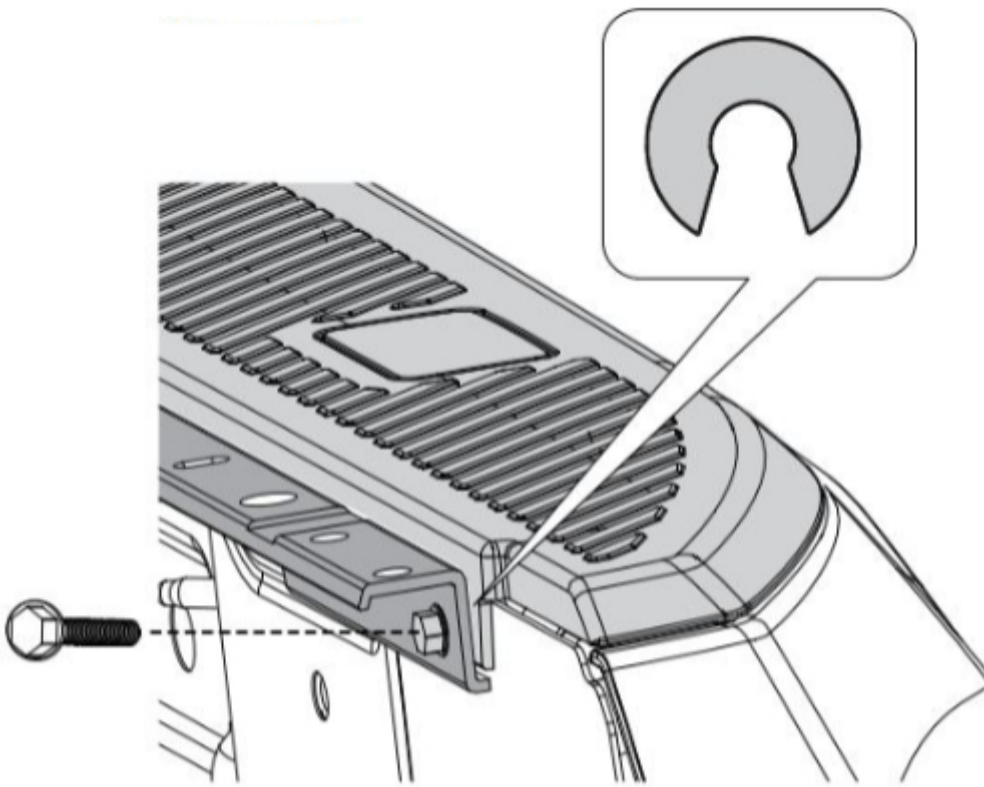
Correction:

Shim kits are to be installed with the power tonneau cover p/n 84865919.

During initial calibration section, shims may be required to adjust the rails inboard. If the tonneau cover does not run through the complete calibration cycle, review steps in I-Sheet Troubleshooting Procedure. If tonneau cover continues to fault, inspect for squareness(per I-sheet step 47). In order to keep the rear push nut installed in the sheet metal fully inserted (per I-sheet step 1) and ensure the power tonneau cover slats make contact with the limit switches at the rear of the upper rail, insert up to 2 shims at the rearmost screw of lower rail on the passenger side between the extrusion and bed cap as shown. Attempt to calibrate the tonneau cover. If further shimming is necessary, repeat shimming on driver side. Repeat to add up to 4 total shims, if necessary.

These steps go with the SI Instructions (I-Sheet) for the power tonneau kit





Parts Information

Description	Part Number	Quantity
Shim Kit	23332201	4

Warranty Information

For vehicles repaired under the Bumper-to-Bumper coverage (Canada Base Warranty coverage), use the following labor operation. Reference the Applicable Warranties section of Investigate Vehicle History (IVH) for coverage information.

Labor Operation	Description	Labor Time
0588638	Install Shims	0.2 Hr.
*This is a unique Labor Operation for Bulletin use only.		

Version History

Version	1
Modified	03/08/2022 - Created on.



GENERAL MOTORS

© 2022 General Motors. All Rights Reserved.