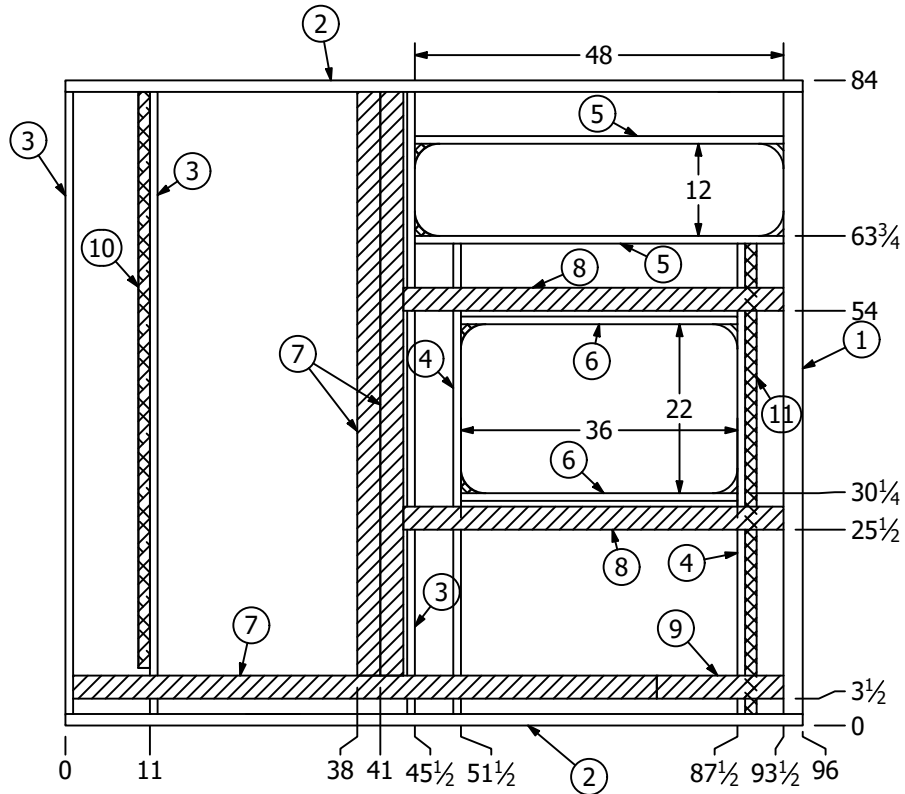
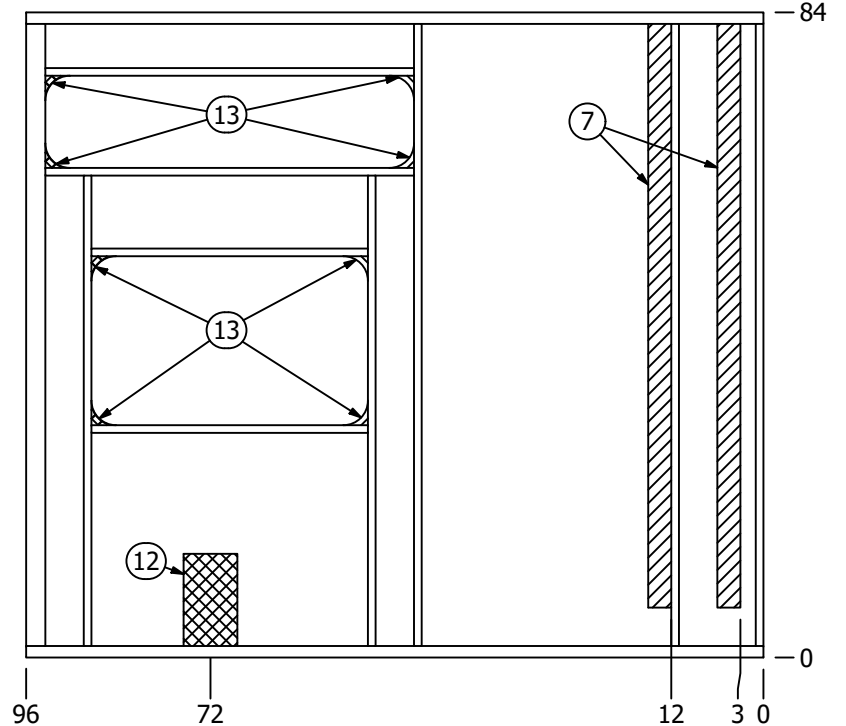


PARTS LIST			PARTS LIST		
ITEM	QTY	DESCRIPTION	ITEM	QTY	DESCRIPTION
1	1	1" x 2 1/2" x 81" Aluminum Tube	7	5	3" x 76" x .019-EGS Backer
2	2	1" x 1 1/2" x 96" Aluminum Tube	8	2	3" x 49 1/2" x .019-EGS Backer
3	3	1" x 1" x 81" Aluminum Tube	9	1	3" x 16 1/2" x .019-EGS Backer
4	2	1" x 1" x 61 1/4" Aluminum Tube	10	1	1" x 1 1/2" x 75" - Plastic Wire Channel
5	2	1" x 1" x 48" Aluminum Tube	11	1	1" x 1 1/2" x 61 1/4" - Plastic Wire Channel
6	2	1" x 1" x 36" Aluminum Tube	12	1	7" x 12" x 7/8 - OSB
			13	8	1 x 3.2" Radius Block



INTERIOR VIEW



EXTERIOR VIEW

MODEL
T26BH



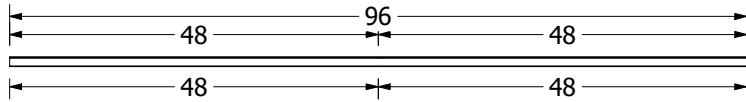
**VIBE /
EXTREME LITE**
PLANT #59

FOREST RIVER INDUSTRIES, INC. CLAIMS PROPRIETARY RIGHTS IN THE MATERIAL DISCLOSED HEREIN. NEITHER THIS DRAWING NOR ANY REPRODUCTION THEREOF MAY BE USED TO MANUFACTURE ANYTHING SHOWN HEREON WITHOUT PERMISSION IN WRITING FROM FOREST RIVER INC.

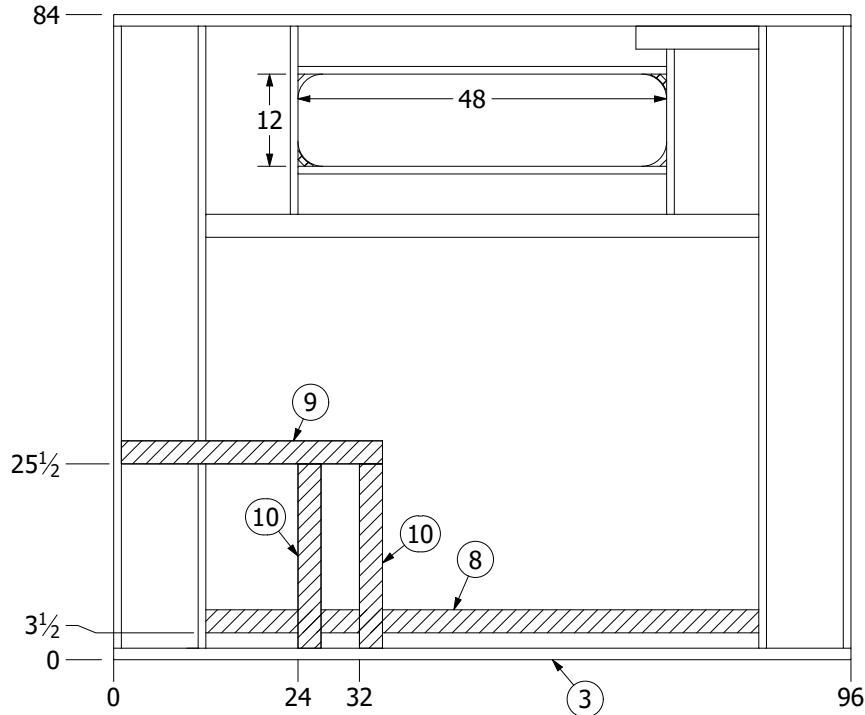
BY: MSR APPROVED BY: FRACTIONAL TOLERANCE: +/- 1/16
DATE: 4/24/2018 SHEET #: 1 OF 1 ANGULAR TOLERANCE: +/- 1°
DESCRIPTION: SHEET SIZE: A

REVISION HISTORY				
REV	ECO #	DESCRIPTION	DATE	BY
S	ECO-21-1190	MOVED POER CORD BACKER FROM 59" TO 72"	12/11/2020	EI
T	ECO-21-2142	UPDATE ADD OMIT	1/8/2021	JMS
U	ECO-22-0315	REMOVED MODEL AND PUT ON ITS OWN PRINT, REMOVED OMIT NOTE	9/13/2021	SMD

REAR WALL ASSEMBLY
REV: U VENDOR PART#: DRAWING #: 09-000016

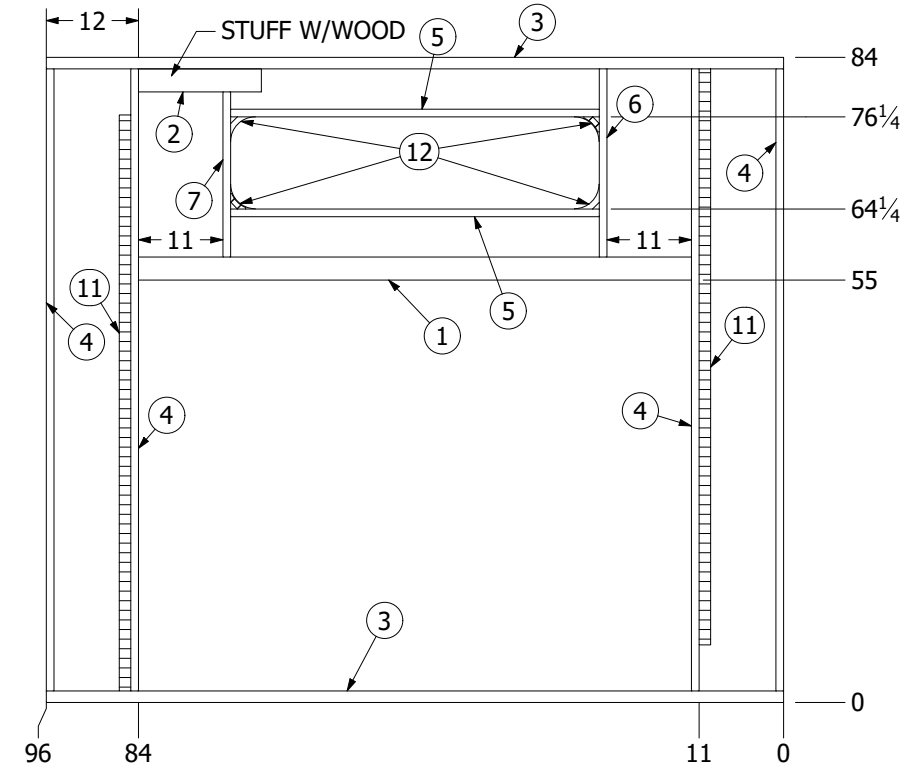


PANEL LAYOUT



INTERIOR VIEW
BACKERS

PARTS LIST			PARTS LIST		
ITEM	QTY	DESCRIPTION	ITEM	QTY	DESCRIPTION
1	1	1" x 3" x 72" Aluminum Tube	9	1	3" x 34" x .019-EGS Backer
2	1	1" x 3" x 16" Aluminum Tube	10	2	3" x 24" x .019-EGS Backer
3	2	1" x 1 1/2" x 96" Aluminum Tube	11	2	1" x 1 1/2" x 75" - Plastic Wire Channel
4	4	1" x 1" x 81" Aluminum Tube	12	4	1 x 3.2" Radius Block
5	2	1" x 1" x 48" Aluminum Tube	13	2	48" x 84" - 2.7 MM - DÉCOR PANEL
6	1	1" x 1" x 24 1/2" Aluminum Tube	14	2	48" x 90" - 2.7 MM - LAUAN PANEL
7	1	1" x 1" x 21 1/2" Aluminum Tube	15	1	96" x 90" - FIBERGLASS PANEL - (DEFAULT)
8	1	3" x 72" x 0.019-EGS Backer			



EXTERIOR VIEW
WELDMENT

MODEL LIST
VBT28BH



**VIBE /
EXTREME LITE**
PLANT #59

THE INFORMATION CONTAINED IN THIS DOCUMENT IS PROPRIETARY, CONFIDENTIAL, AND INTENDED ONLY FOR FOREST RIVER PERSONNEL. AUTHORIZED FOREST RIVER DEALERS, OR OTHER QUALIFIED REPAIR SHOPS, NEITHER THIS DRAWING NOR ANY REPRODUCTION THEREOF MAY BE USED FOR ANY PURPOSE WITHOUT PERMISSION IN WRITING FROM FOREST RIVER, INC. IF YOU ARE NOT THE INTENDED RECIPIENT, PLEASE RETURN TO FOREST RIVER, INC. OR DESTROY. PLEASE NOTE THAT ANY USE OR CIRCULATION OF THIS DOCUMENT IS NOT PERMITTED AND MAY BE CAUSE FOR LEGAL ACTION.

BY: **MSR** APPROVED BY: _____ FRACTIONAL TOLERANCE: +/- 1/16
DATE: 4/24/2018 SHEET #: 1 OF 1 ANGULAR TOLERANCE: +/- 1'

DESCRIPTION: _____ SHEET SIZE: A

REAR WALL ASSEMBLY

REV: **G** VENDOR PART #: _____ DRAWING #: 09- 000081

REVISION HISTORY

REV	ECO #	DESCRIPTION	DATE	BY
E		PRINT CLEAN UP	2/25/2020	MB
F	eco-21-0655	UPDATED FOR HOT MELT	8/3/2020	SAB
G	ECO-22-0834	REMOVED BACKERS/ADDED 1x3 AL TUBE STUFFED W/ WOOD	3/14/2022	JL