



## Mack Chassis - FSB 392 - 004 - Radio, Replacement



> **Internal Content**

Mack Trucks Models MRU, LEU, built between October 6, 2008 and August 18, 2014, with a factory programmable radio refer to the FSB 392-004, Radio Replacement - found in [Impact](#) under the service tab.



Tags

[k15347453](#)

[mack](#)

### Related links and attachments

[KC-363 FSB 392-004](#)



### Feedback

[Give feedback](#)

to help improve the content of this article

# FSB 392-004, Radio, Replacement

(December 2016)

On Mack Trucks built between October 6, 2008 and August 18, 2014, with a factory installed programmable radio, the old radio may no longer be available for purchase. To upgrade from a GLAD format radio to a DEA500 format radio follow the following instructions.

## Necessary Part Numbers

Refer to the tables below to determine which parts and part numbers are necessary to perform this procedure.

Replacement Radio	
Original Radio	New Radio Part Number
Base Level Radio (No logo on top right)	22949613
Mid-Level Radio (MP3 logo on top right only)	22949612 (*See note below)
Mid-Level Radio (MP3 and Bluetooth logo on top right)	22949612
Mid-Level Radio (MP3, Bluetooth, and Satellite Radio logo on top right)	22949611



Note: For customers upgrading from the Mid Level Radio without Bluetooth, the replacement radio will include Bluetooth capability. An optional microphone kit can be install to enable the Bluetooth telephone functionality

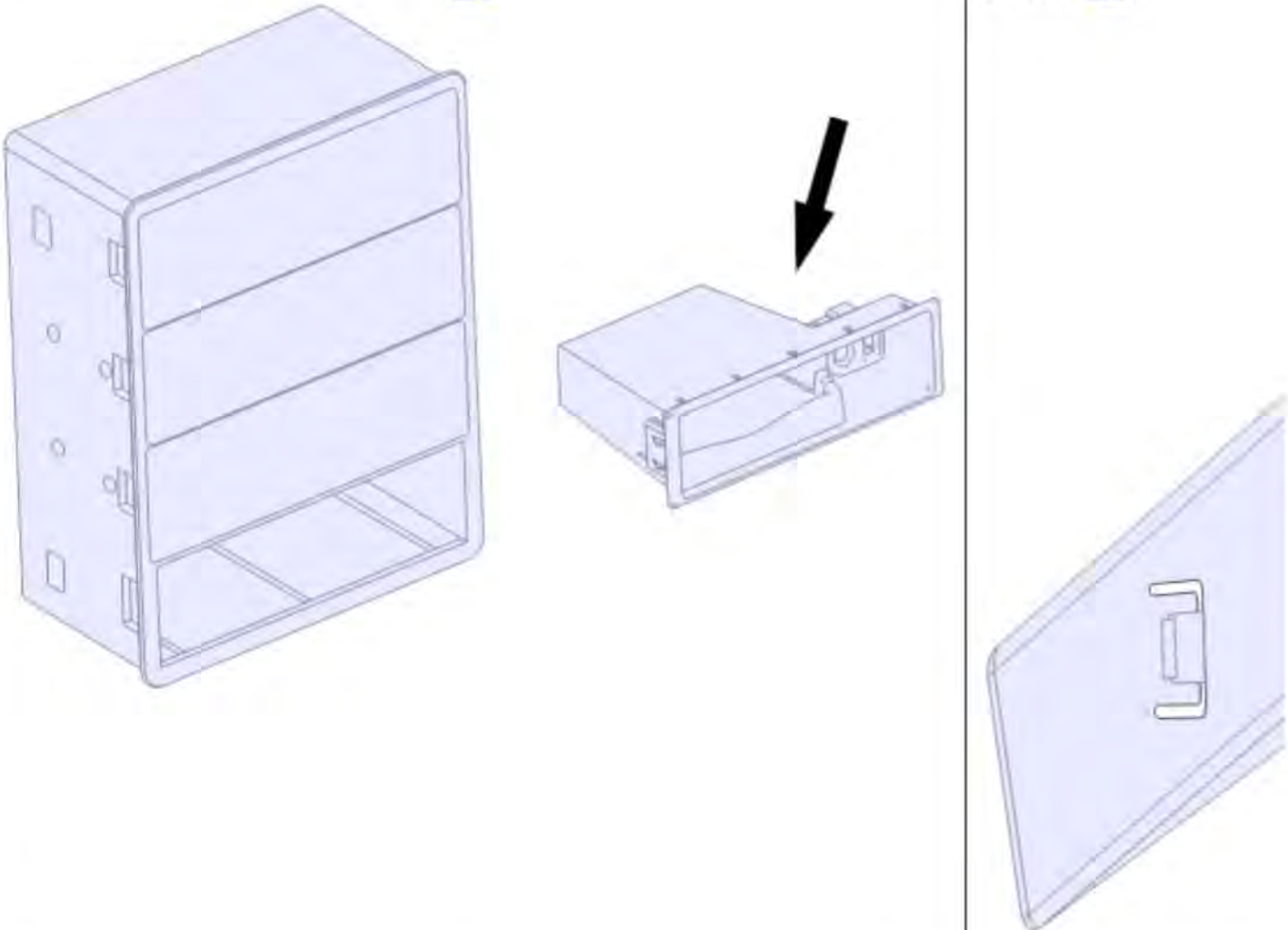
Additional Optional Microphone Kit (For trucks without a microphone currently installed.)	
Microphone Kit Type	Microphone Kit Part Number
Installed with double stick tape	PNSPP604240

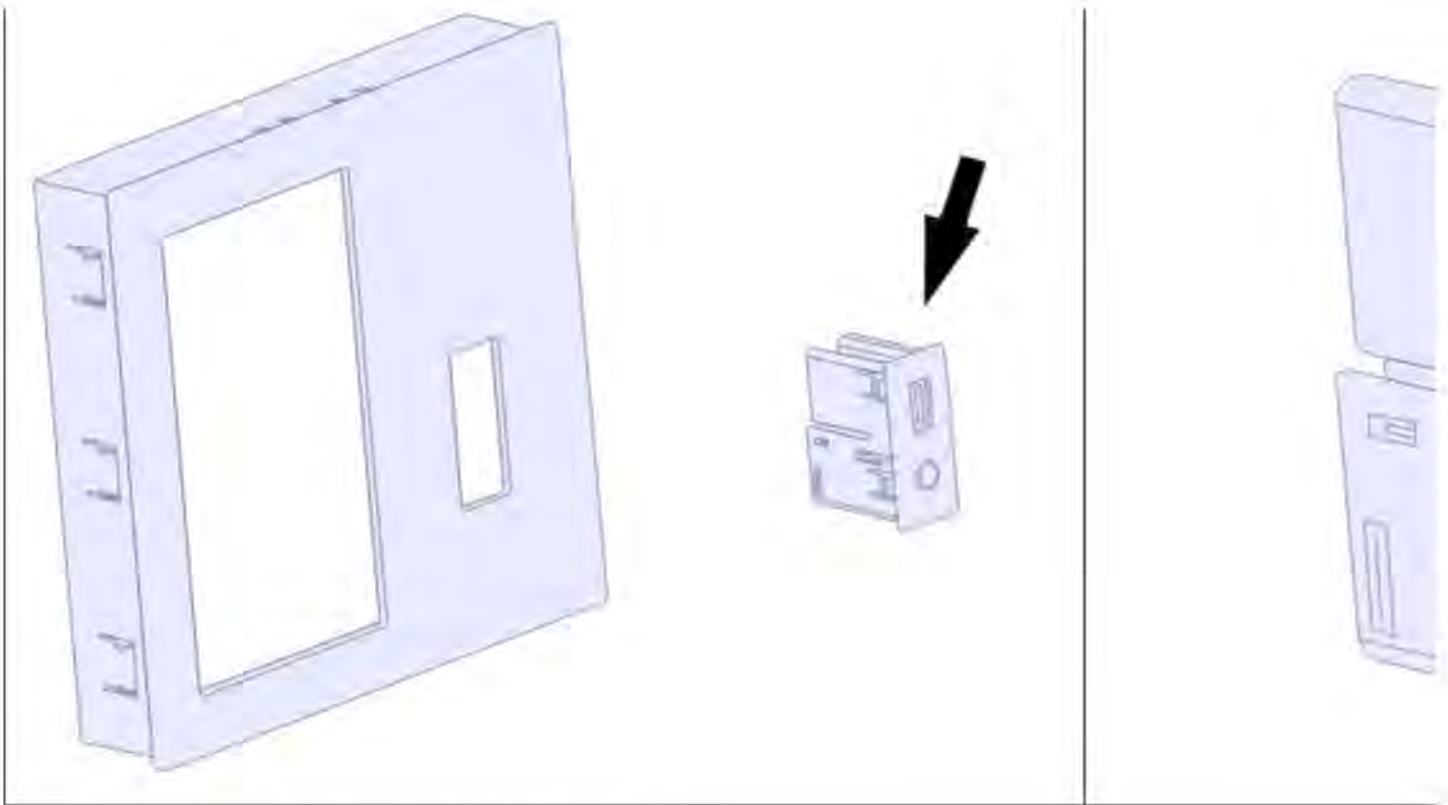
Additional Jumper Harness	

Copyright to this documentation belongs to the Volvo Group. No reproduction, copying, change, amendment or other similar disposal is entitled without prior written consent by the Volvo Group

The information contained herein is current at the time of its original distribution, but is subject to change. The reader is advised that printed copies are uncontrolled.

Feature Set	Jumper Harness Part Number
No reverse mute	22351684
Equipped with reverse mute	22351686

Additional Replacement Parts(optional)	
Version	Replacement Part Number
<p><a href="#">Fig.</a></p> 	<p>25110600<a href="#">Fig.</a></p>
<p><a href="#">Fig.</a></p>	<p>25159354<a href="#">Fig.</a></p>



## Decommissioning the Truck for Repair

---

You must read and understand the precautions and guidelines in Service Information, group 30, "General Safety Practices, Electrical" before performing this procedure. If you are not properly trained and certified in this procedure, ask your supervisor for training before you perform it.

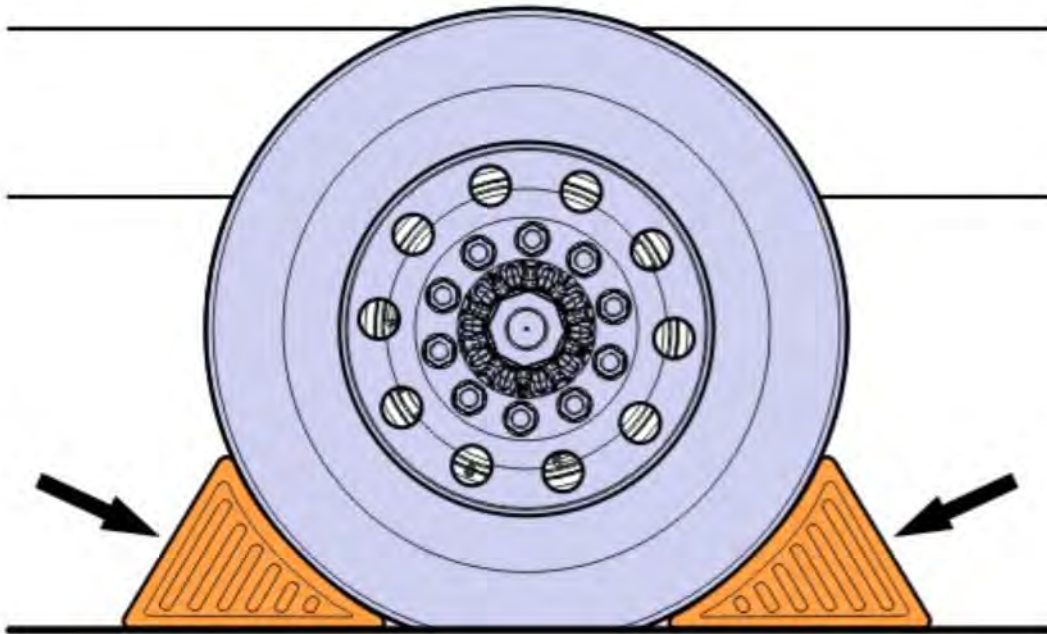
---

---

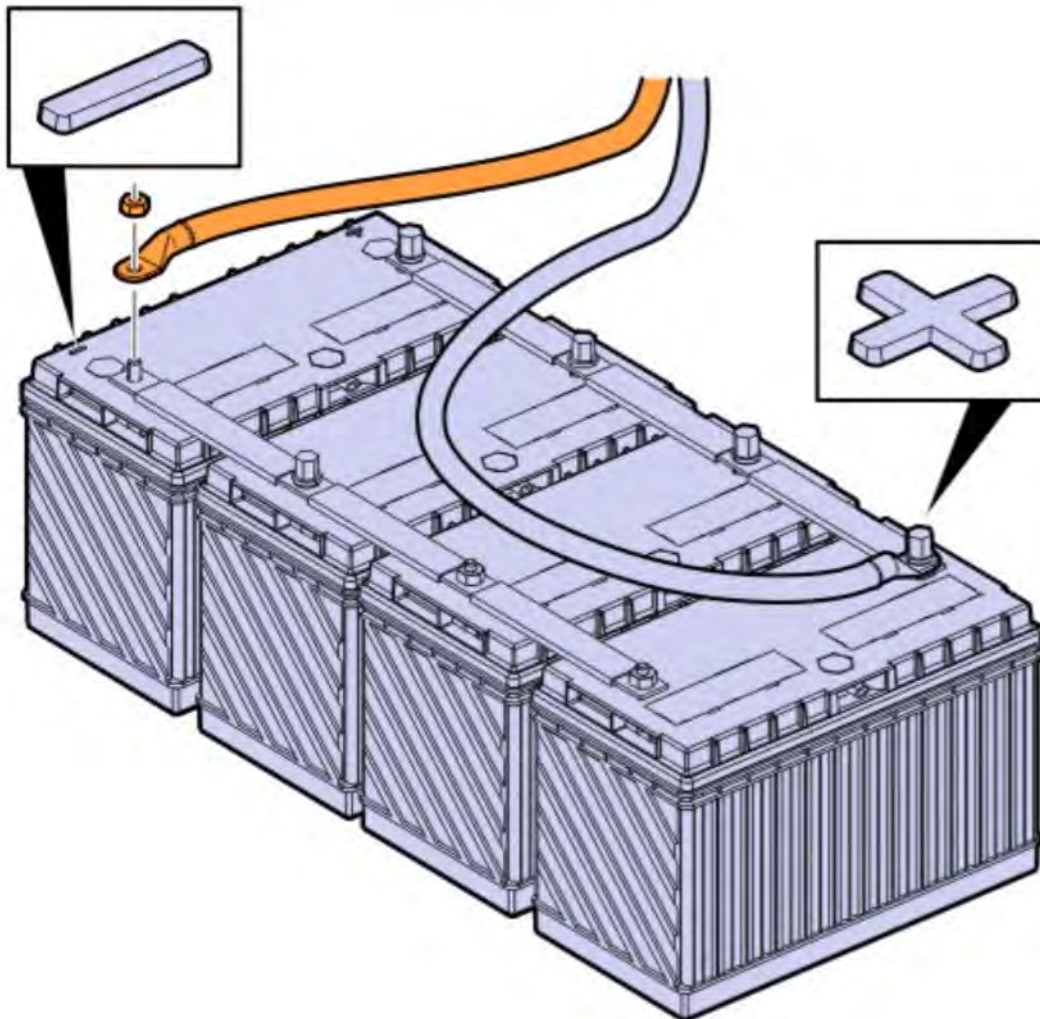
**NOTE:** Information is subject to change without notice. Illustrations are used for reference only and can differ slightly from the actual vehicle being serviced. However, key components addressed in this information are represented as accurately as possible.

---

1. Park the vehicle on a flat and level surface.
2. Apply the parking brake.
3. Place the transmission in neutral or park.
4. Install the wheel chocks.



5. Disconnect the cable from the battery's negative terminal.

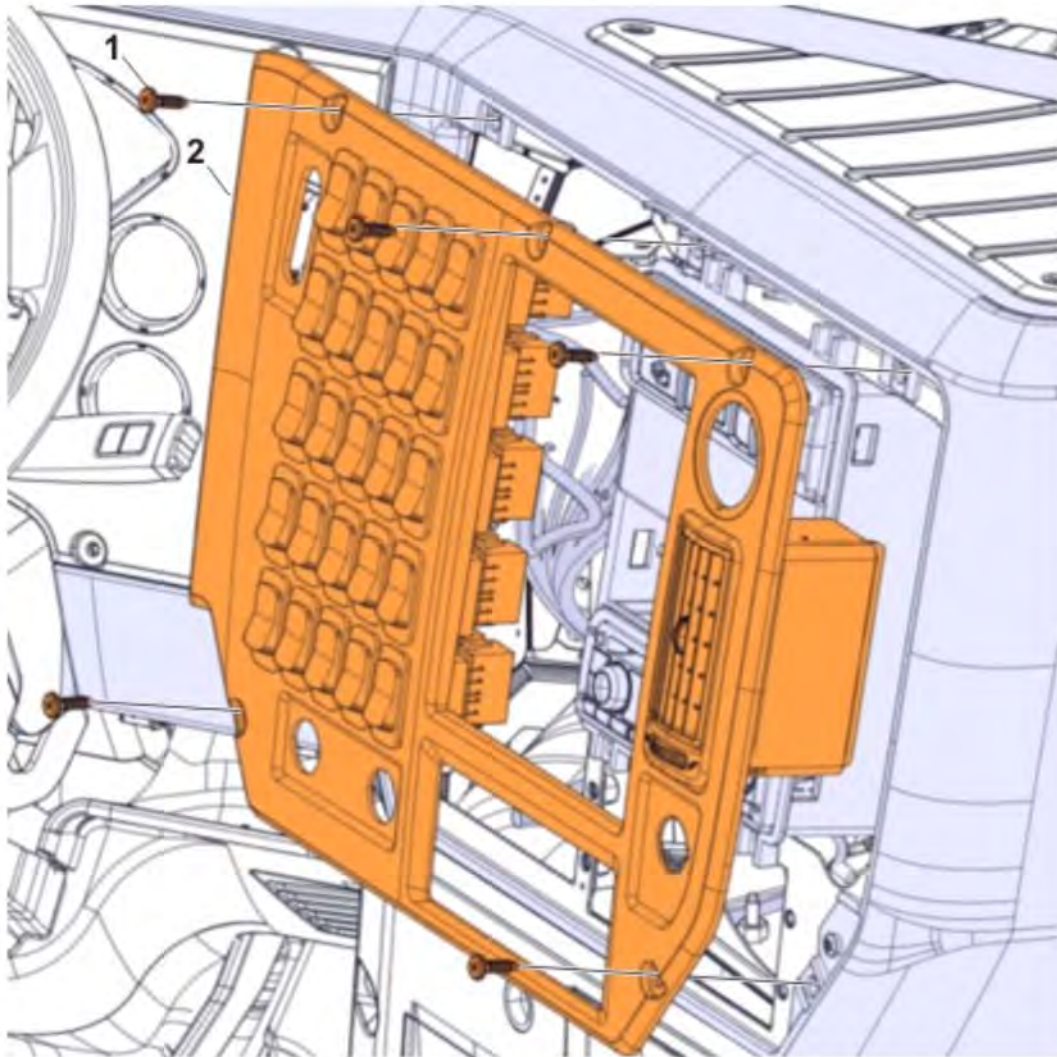


## Radio, Replacement Procedure

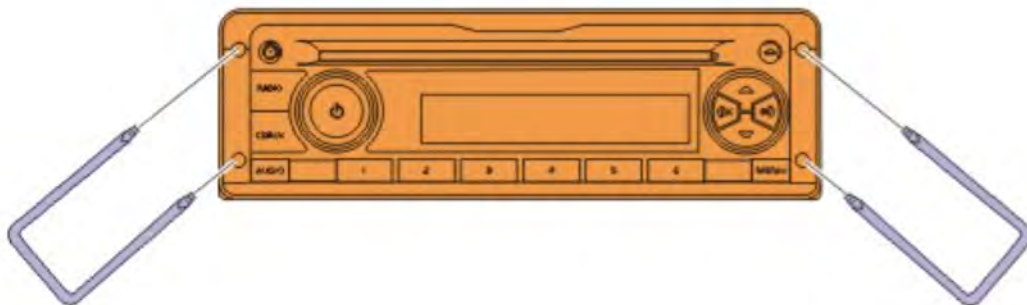
1. Remove the out cover frame.

Copyright to this documentation belongs to the Volvo Group. No reproduction, copying, change, amendment or other similar disposal is entitled without prior written consent by the Volvo Group

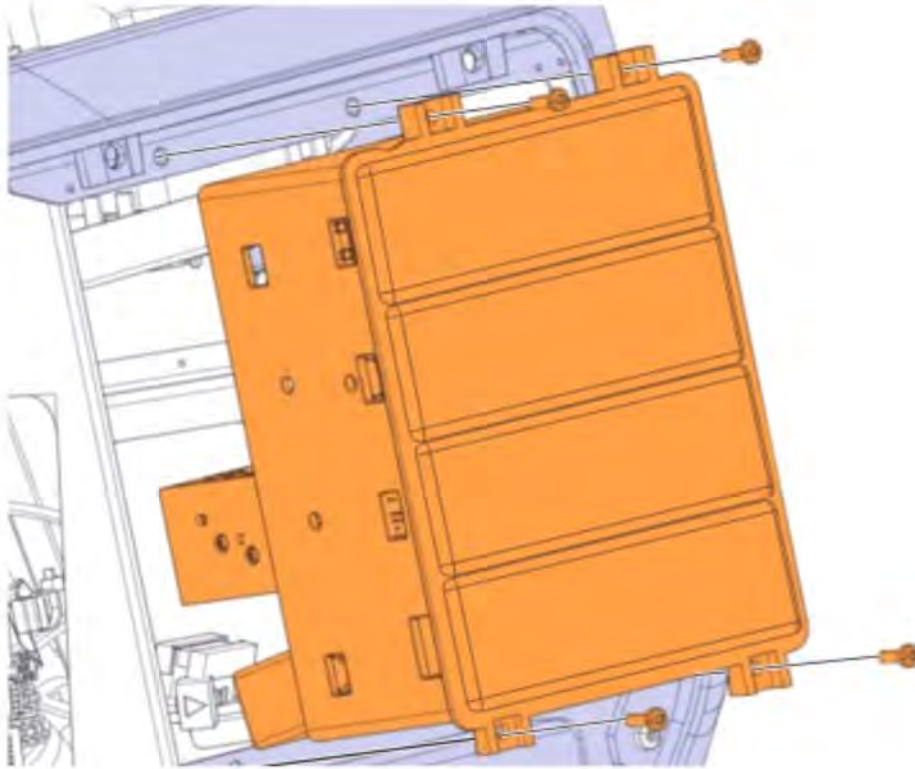
The information contained herein is current at the time of its original distribution, but is subject to change. The reader is advised that printed copies are uncontrolled.



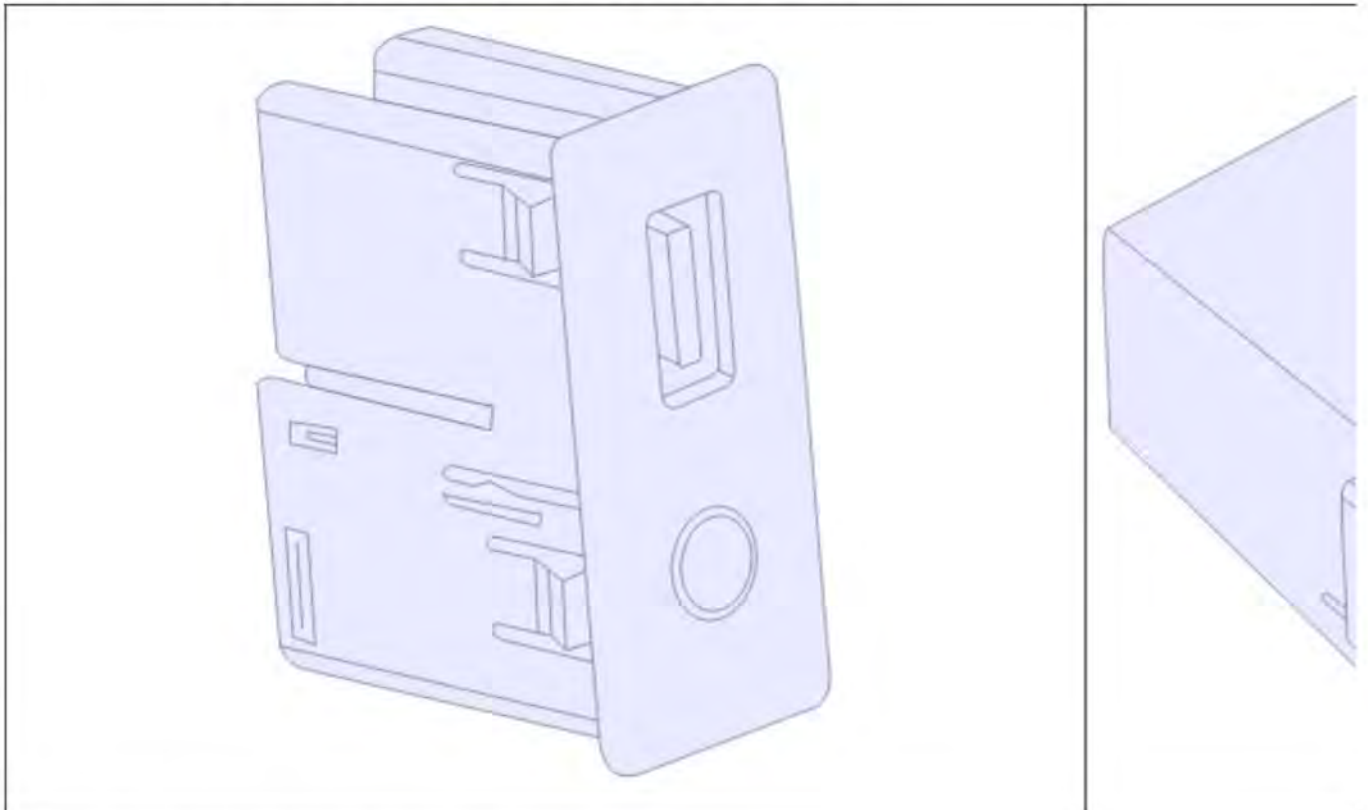
2. Remove and disconnect the Radio using a radio removal tool.



3. Remove the radio bracket.

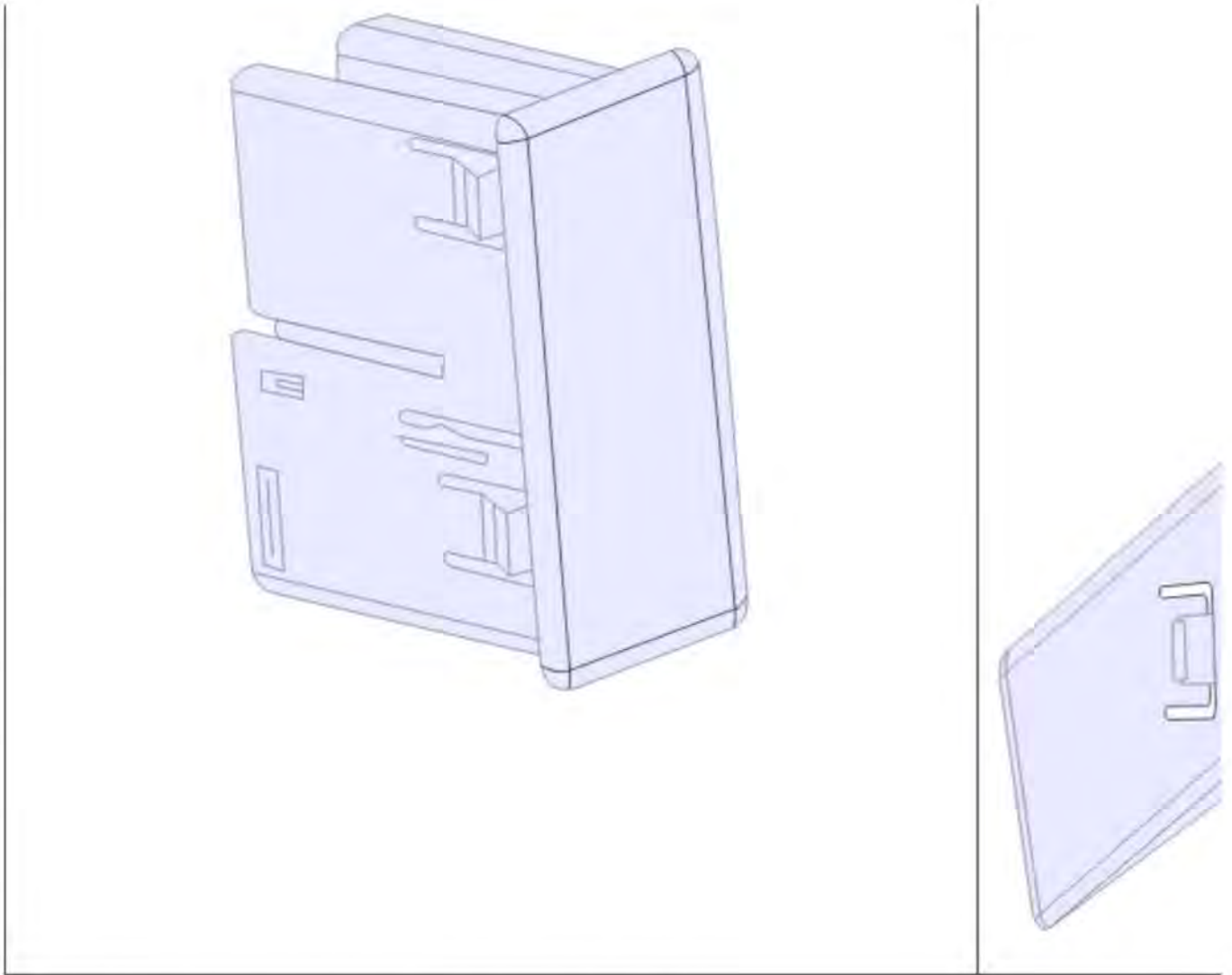


4. If present, remove and discard the USB and Auxiliary plug and harness.

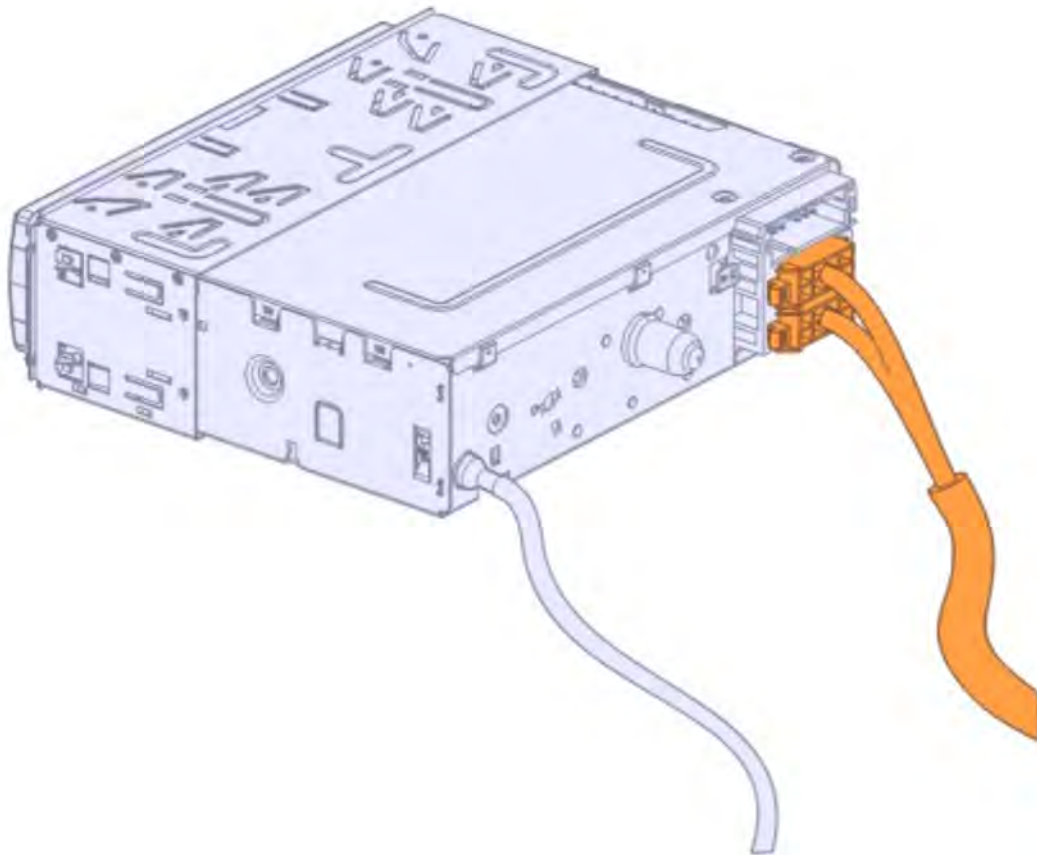


5. If needed, Install a blank plug to cover the unused hole.





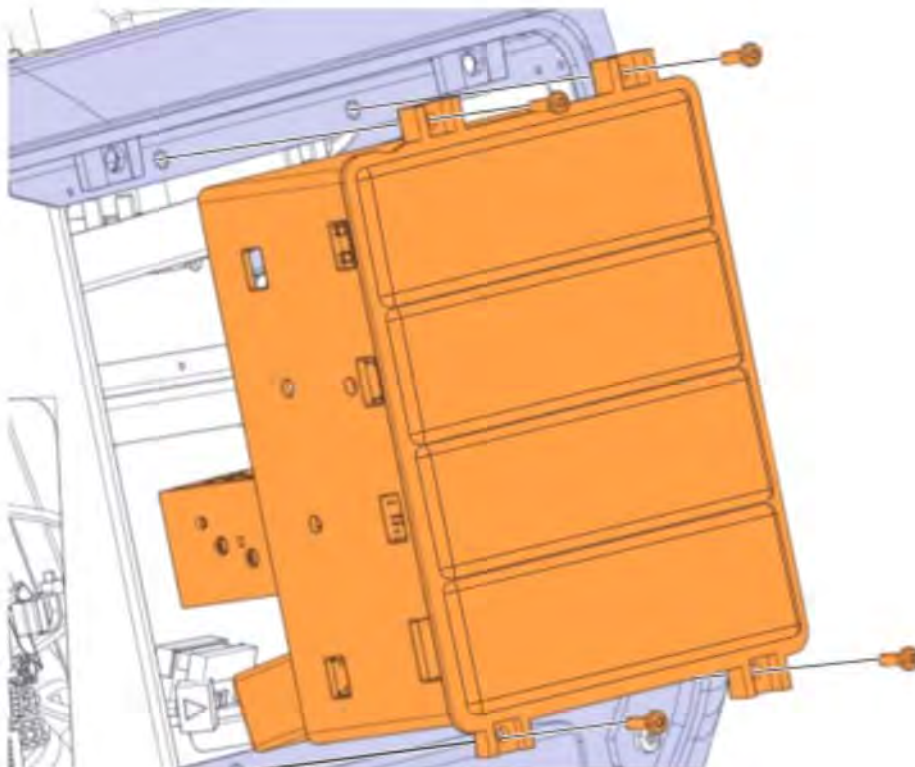
6. Connect the jumper harness to the main harness and the new radio.



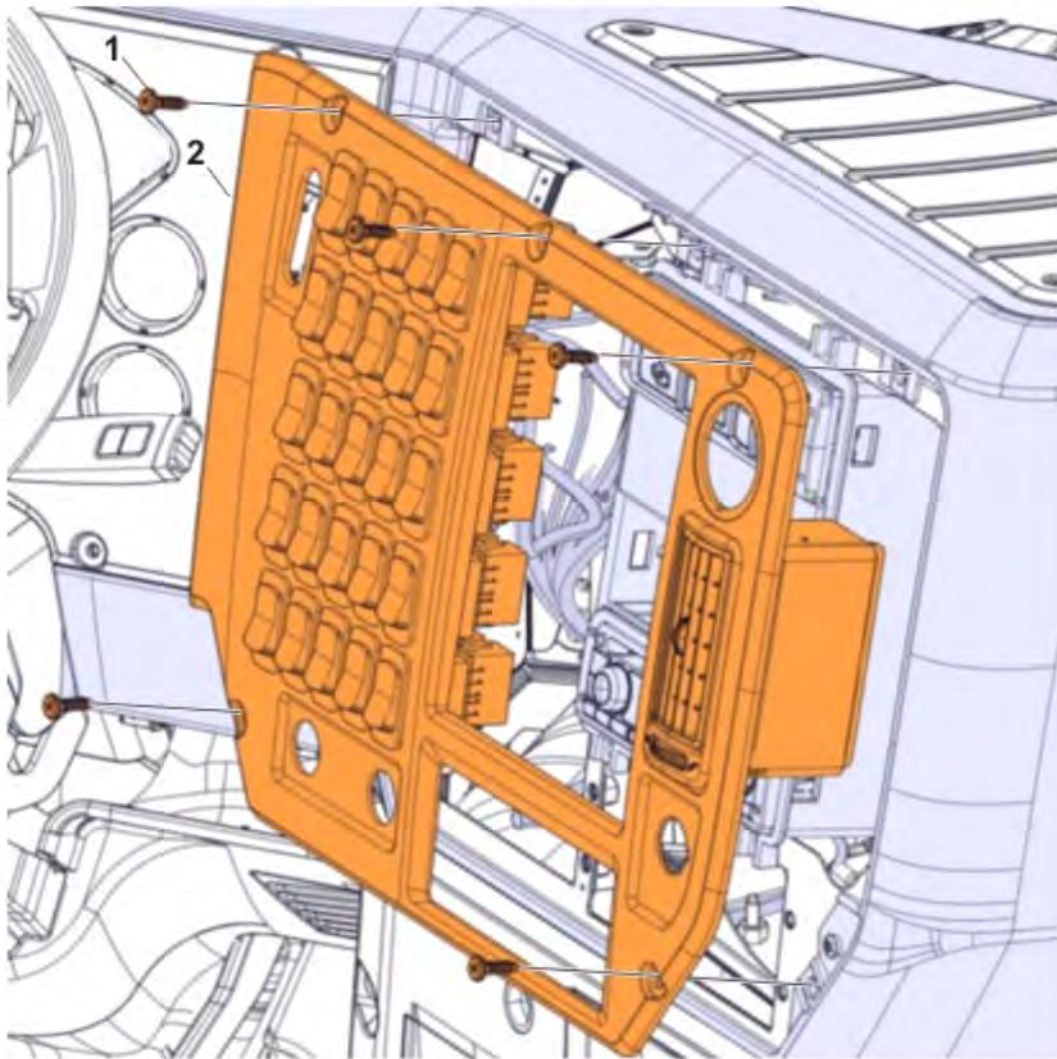
7. Install the radio to the radio bracket.



8. Install the radio bracket.



9. Install the outer frame.

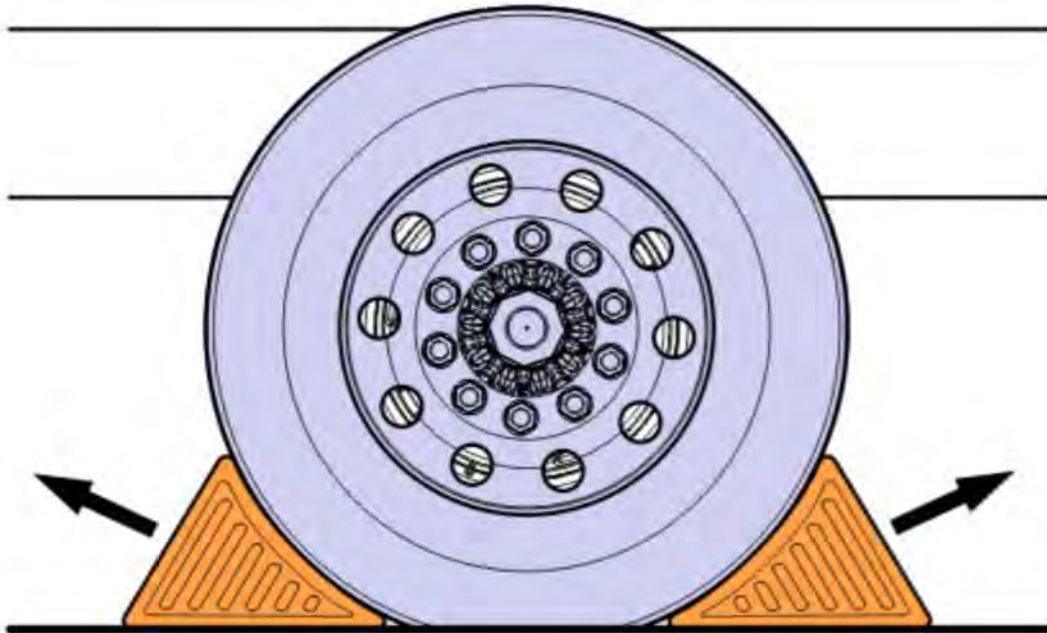


## Vehicle Programming

1. Connect the battery.
2. Connect the vehicle to tech tool.
3. Run accessory kit number 85151224 to update central systems. No further ECU programming is required.

## Commissioning the Truck for Operation

1. Remove the wheel chocks.



MACK Trucks North America reserves the right to make any changes in design or to make additions to or upon its products without incurring any obligations to install the same on vehicles previously built.