

Radio, Replacement

Valid for

Mack LEU, LR, and MRU trucks with a GLAD OEM radio.

Case description

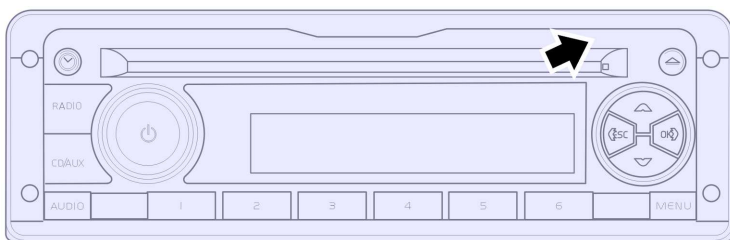
OEM GLAD generation radios are no longer available for sale in the aftermarket. Newer, more advanced, DEA 700 series radios are now sold as a replacement. This document details how to upgrade from a GLAD series radio to a DEA 700 series radio.

Necessary Part Numbers

Refer to the tables below to determine which parts and part numbers are necessary to perform this procedure.

Replacement Radio	
Original Radio	New Radio Part Number
Base Level Radio (No logo on top right)	2412025
Mid-Level Radio (MP3 logo on top right only)	24162027 (*See note below)
Mid-Level Radio (MP3 and Bluetooth logo on top right)	24162027 (*See note below)
Mid-Level Radio (MP3, Bluetooth, and Satellite Radio logo on top right)	24109348 (*See note below)

Additional Jumper Harness	
Feature Set	Jumper Harness Part Number
No reverse mute	22351684
Equipped with reverse mute	22351686



W8116113

Note: For customers upgrading from the Mid Level Radio without Bluetooth, the replacement radio will include Bluetooth capability. An optional microphone kit can be installed to enable the Bluetooth telephone functionality

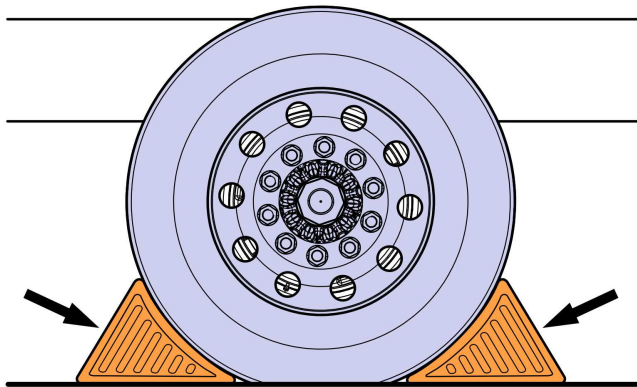
Additional Optional Microphone Kit <i>(For trucks without a microphone currently installed.)</i>	
Microphone Kit Type	Microphone Kit Part Number
Installed with double stick tape	PNSPP604240

Decommissioning the Truck for Repair

You must read and understand the precautions and guidelines in Service Information, group 30, "General Safety Practices, Electrical" before performing this procedure. If you are not properly trained and certified in this procedure, ask your supervisor for training before you perform it.

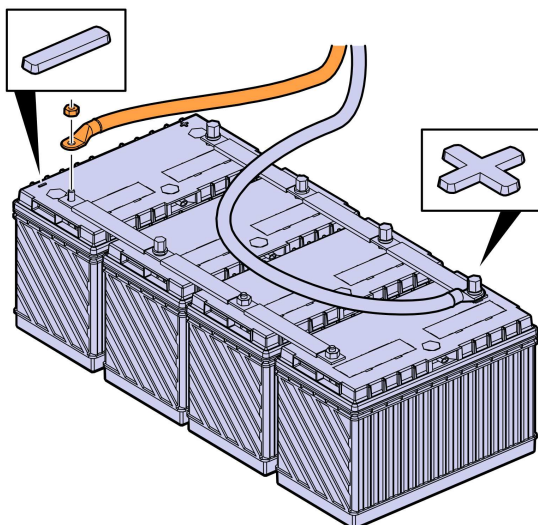
NOTE: Information is subject to change without notice. Illustrations are used for reference only and can differ slightly from the actual vehicle being serviced. However, key components addressed in this information are represented as accurately as possible.

- 1 Park the vehicle on a flat and level surface.
- 2 Apply the parking brake.
- 3 Place the transmission in neutral or park.
- 4 Install the wheel chocks.



W7086748

- 5 Disconnect the cable from the battery's negative terminal.



W3086747

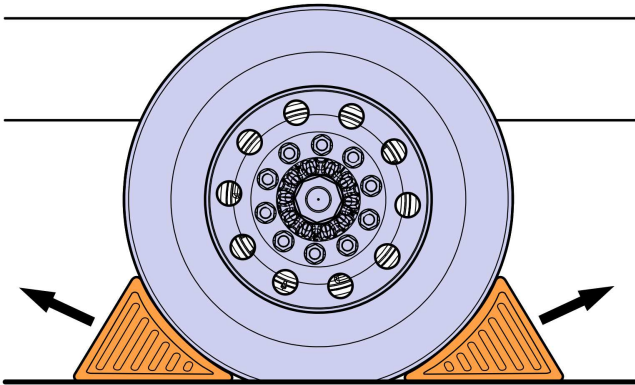
- 6 Replace the radio using the proper jumper harness.

Vehicle Programming

- 1 Connect the battery.
- 2 Connect the vehicle to tech tool.
- 3 Run accessory kit number 85151224 to update central systems. No further ECU programming is required.

Commissioning the Truck for Operation

- 1 Remove the wheel chocks.



W7086759

MACK Trucks North America reserves the right to make any changes in design or to make additions to or upon its products without incurring any obligations to install the same on vehicles previously built.

Issued by

Technical Service

Truck Technical Service