

**FT5237 Difficulty in removing the engine air filter housing cover (21-181 IC-103)**

**Technical writer name**  
**Rajendra N M**

**Manual section**      **12**

First Level Parts (100 % of 157 Vehicles)		
Part Description	Part Number	QTY
Bushing / Spacer	N21456	2

**Nb hours Level 1**      0.25 hr

**MQR**      7621-2428

Disposal of parts		
Removed parts are:		When the retained check box is checked, the parts must be retained and returned in accordance with the usual warranty procedure to be reimbursed.
Discarded	Retained	
-	-	

Client	Order	Road numbers		VIN		QTY	Lang.	Customer	Target market	Plant	Engine Config	Model	NR	R1
New York City Transit New York - NYCT	LC79	9624	9629	L82L3M9777783	L82L2M9777788	6	E	NYCT	US	PLB	TD	40	x	
New York City Transit New York - NYCT	LC79	9633	9633	L82L4M9777792	L82L4M9777792	1	E	NYCT	US	PLB	TD	40	x	
New York City Transit New York - NYCT	LC79	9636	9637	L82LXM9777795	L82L1M9777796	2	E	NYCT	US	PLB	TD	40	x	
New York City Transit New York - NYCT	LC79	9639	9639	L82L5M9777798	L82L5M9777798	1	E	NYCT	US	PLB	TD	40	x	
New York City Transit New York - NYCT	LC79	9644	9646	L82L5M9777803	L82L9M9777805	3	E	NYCT	US	PLB	TD	40	x	
New York City Transit New York - NYCT	LC79	9648	9648	L82L2M9777807	L82L2M9777807	1	E	NYCT	US	PLB	TD	40	x	
New York City Transit New York - NYCT	LC79	9650	9650	L82L6M9777809	L82L6M9777809	1	E	NYCT	US	PLB	TD	40	x	
New York City Transit New York - NYCT	LC79	9652	9654	L82L4M9777811	L82L8M9777813	3	E	NYCT	US	PLB	TD	40	x	
New York City Transit New York - NYCT	LC79	9656	9674	L82L1M9777815	L82L3M9777833	19	E	NYCT	US	PLB	TD	40	x	
New York City Transit New York - NYCT	LC79	9676	9676	L82L7M9777835	L82L7M9777835	1	E	NYCT	US	PLB	TD	40	x	
New York City Transit New York - NYCT	LC79	9678	9684	L82L0M9777837	L82L6M9777843	7	E	NYCT	US	PLB	TD	40	x	
New York City Transit New York - NYCT	LC79	9691	9691	L82L3M9777850	L82L3M9777850	1	E	NYCT	US	PLB	TD	40	x	
New York City Transit New York - NYCT	LC79	9694	9694	L82L9M9777853	L82L9M9777853	1	E	NYCT	US	PLB	TD	40	x	
New York City Transit New York - NYCT	LC79	9696	9696	L82L2M9777855	L82L2M9777855	1	E	NYCT	US	PLB	TD	40	x	
New York City Transit New York - NYCT	LC79	9698	9703	L82L6M9777857	L82LXM9777862	6	E	NYCT	US	PLB	TD	40	x	
New York City Transit New York - NYCT	LC79	9705	9705	L82L3M9777864	L82L3M9777864	1	E	NYCT	US	PLB	TD	40	x	
New York City Transit New York - NYCT	LC79	9707	9708	L82L7M9777866	L82L9M9777867	2	E	NYCT	US	PLB	TD	40	x	
New York City Transit New York - NYCT	LC79	9710	9721	L82L2M9777869	L82L3M9777881	12	E	NYCT	US	PLB	TD	40	x	
New York City Transit New York - NYCT	LC79	9723	9725	L82L7M9777883	L82L0M9777885	3	E	NYCT	US	PLB	TD	40	x	
New York City Transit New York - NYCT	LC79	9727	9736	L82L4M9777887	L82L9M9777903	10	E	NYCT	US	PLB	TD	40	x	
New York City Transit New York - NYCT	LC79	9738	9740	L82L2M9777905	L82L6M9777907	3	E	NYCT	US	PLB	TD	40	x	
New York City Transit New York - NYCT	LC79	9742	9742	L82LXM9777909	L82LXM9777909	1	E	NYCT	US	PLB	TD	40	x	
New York City Transit New York - NYCT	LC79	9744	9746	L82L8M9777911	L82L1M9777913	3	E	NYCT	US	PLB	TD	40	x	
New York City Transit New York - NYCT	LC79	9748	9780	L82L5M9777915	L82L7M9777950	33	E	NYCT	US	PLB	TD	40	x	
New York City Transit New York - NYCT	LC79	9782	9784	L82L0M9777952	L82L4M9777954	3	E	NYCT	US	PLB	TD	40	x	
New York City Transit New York - NYCT	LD64	9787	9787	L82L8M9777956	L82L8M9777956	1	E	NYCT	US	PLB	TD	40	x	
New York City Transit New York - NYCT	LD64	9791	9791	L82L0M9777966	L82L0M9777966	1	E	NYCT	US	PLB	TD	40	x	
New York City Transit New York - NYCT	LD64	9794	9796	L82L6M9777969	L82L4M9777971	3	E	NYCT	US	PLB	TD	40	x	
New York City Transit New York - NYCT	LD64	9800	9803	L82L1M9777975	L82L7M9777978	4	E	NYCT	US	PLB	TD	40	x	
New York City Transit New York - NYCT	LD64	9805	9806	L82L5M9777980	L82L7M9777981	2	E	NYCT	US	PLB	TD	40	x	
New York City Transit New York - NYCT	LD64	9810	9810	L82LXM9777991	L82LXM9777991	1	E	NYCT	US	PLB	TD	40	x	
New York City Transit New York - NYCT	LD64	9812	9812	L82L3M9777993	L82L3M9777993	1	E	NYCT	US	PLB	TD	40	x	
New York City Transit New York - NYCT	LD64	9816	9816	L82L0M9777997	L82L0M9777997	1	E	NYCT	US	PLB	TD	40	x	
New York City Transit New York - NYCT	LD64	9828	9833	L82L7M9778015	L82L1M9778026	6	E	NYCT	US	PLB	TD	40	x	
New York City Transit New York - NYCT	LD64	9836	9836	L82L7M9778029	L82L7M9778029	1	E	NYCT	US	PLB	TD	40	x	
New York City Transit New York - NYCT	LD64	9839	9839	L82L7M9778032	L82L7M9778032	1	E	NYCT	US	PLB	TD	40	x	
New York City Transit New York - NYCT	LD64	9841	9842	L82L6M9778040	L82L8M9778041	2	E	NYCT	US	PLB	TD	40	x	
New York City Transit New York - NYCT	LD64	9844	9845	L82L1M9778043	L82L3M9778044	2	E	NYCT	US	PLB	TD	40	x	

New York City Transit New York - NYCT	LD64	9848	9848	L82L4M9778053	L82L4M9778053	1	E	NYCT	US	PLB	TD	40	x	
New York City Transit New York - NYCT	LD64	9850	9850	L82L8M9778055	L82L8M9778055	1	E	NYCT	US	PLB	TD	40	x	
New York City Transit New York - NYCT	LD64	9853	9853	L82L3M9778058	L82L3M9778058	1	E	NYCT	US	PLB	TD	40	x	
New York City Transit New York - NYCT	LD64	9856	9856	L82L3M9778061	L82L3M9778061	1	E	NYCT	US	PLB	TD	40	x	
New York City Transit New York - NYCT	LD64	9863	9863	L82L5M9778076	L82L5M9778076	1	E	NYCT	US	PLB	TD	40	x	
New York City Transit New York - NYCT	LD64	9882	9882	L82L5M9778112	L82L5M9778112	1	E	NYCT	US	PLB	TD	40	x	

**NOVA**BUS

**DCP-509232**

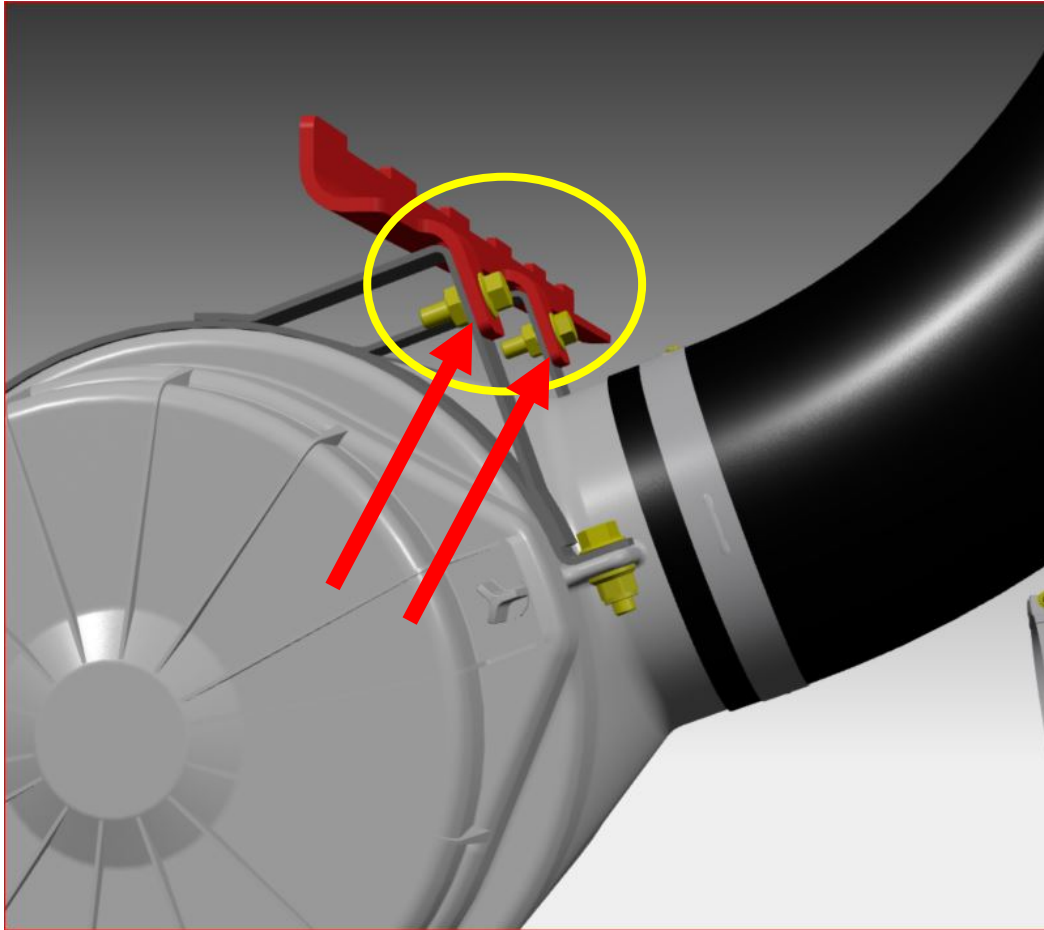
**Add spacers to air filter bracket**

Author: Michael Dykas

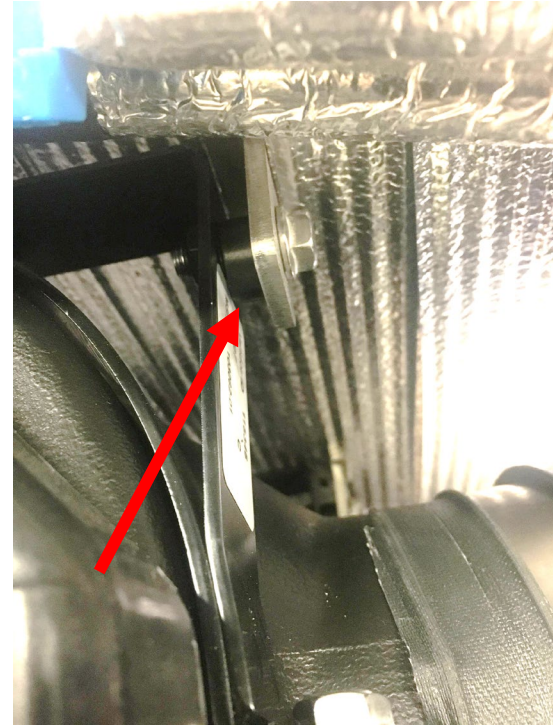
Date: 2021/12/07

Ing GM: Jeff Andrews

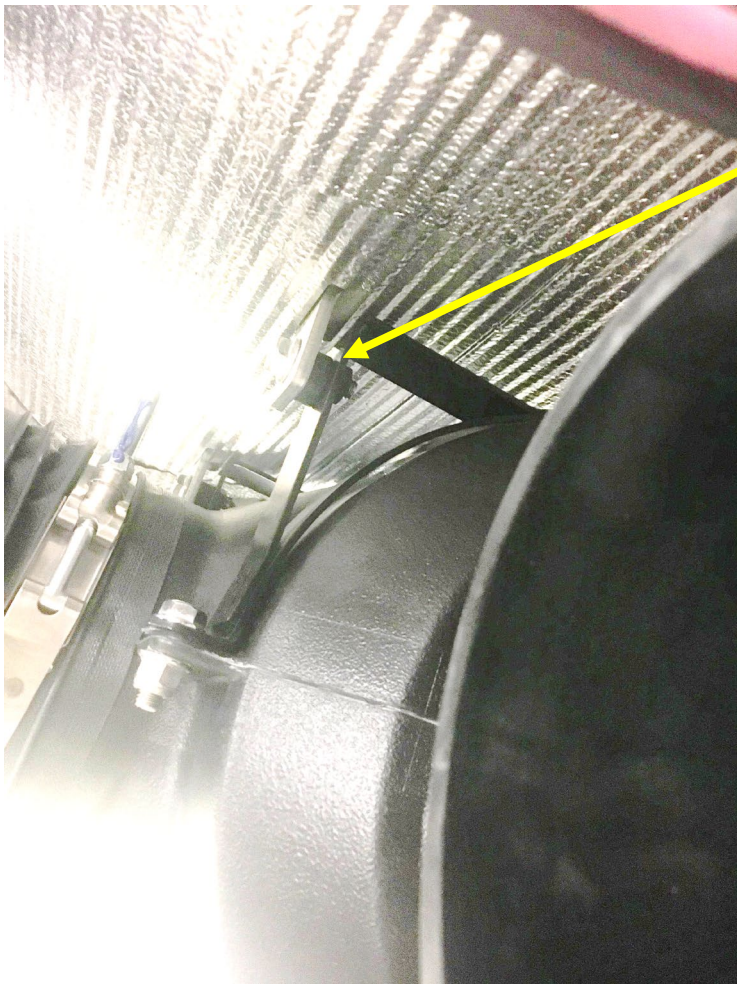
G093A



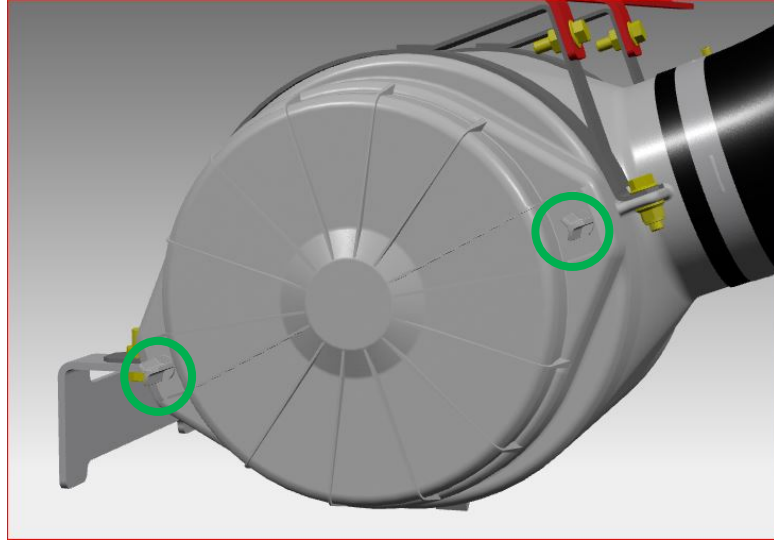
Add one (1) N21456 spacer between  
The structure support and the air filter  
bracket on each side



STREET SIDE



N21456 spacer on inner bracket



Remove the two cover screws, remove the cover pull the air filter out, then put the filter back in checking to see that it fits well. Put on cover and insert two cover screws, hand tighten the cover screws, use NO tools !