


<b>Title:</b>	<b>Lower Coolant Tube Clamp Bracket</b>			
<b>Number:</b>	<b>PB_593_03.02.2022</b>	<b>Release Date:</b>	<b>03/02/2022</b>	
<b>Revision Number:</b>	<b>N/A</b>	<b>Revision Date:</b>	<b>N/A</b>	
<b>Chassis Type:</b>	<b>Enforcer™ chassis with DD13 Engine</b>			
<b>Component Description:</b>	<b>Lower Coolant Tube Clamp Bracket</b>			
<b>Warranty:</b>	<b>Not Applicable</b>			
<b>Parts:</b>	<b>See chart</b>			
<b>Tools:</b>	<b>Not Applicable</b>			

**Subject:** The lower coolant tube clamp bracket (Pierce P/N 2953062) has been redesigned and older versions should be replaced with Pierce P/N 4107662.

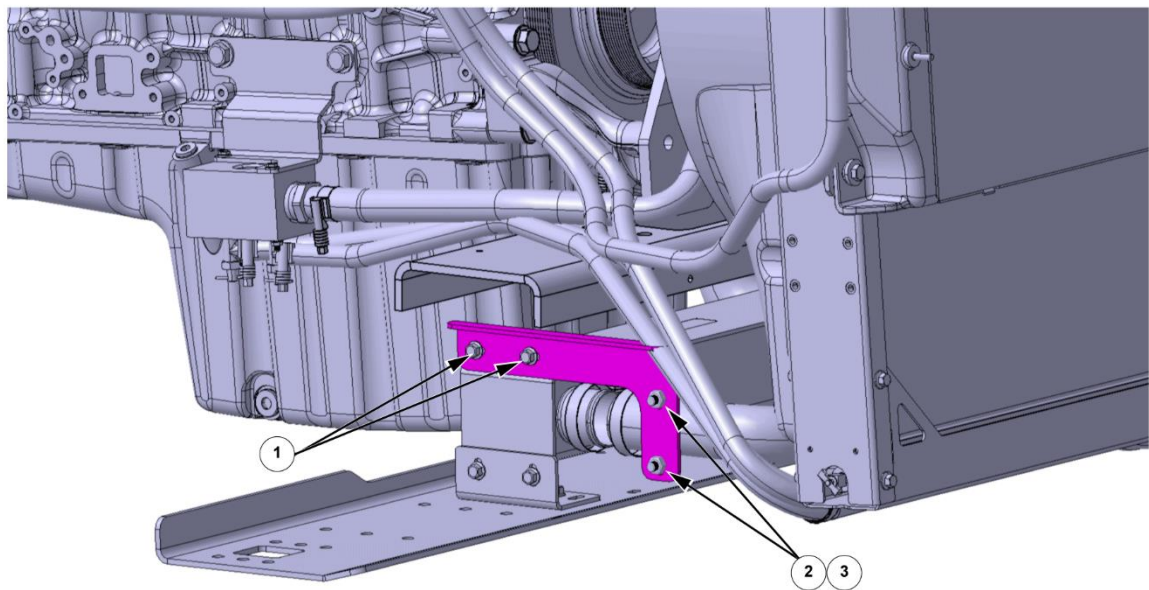
**Purpose/Background:** The new coolant clamp bracket reduces chafing and rubbing against lines and harnesses. During yearly maintenance if chafing or rubbing against the existing lower coolant tube clamp bracket is noticed, then replace the bracket with the appropriate parts.

**Description/Procedure:**

	<b>Quantity</b>	<b>Part Number</b>
Lower Coolant Tube Clamp Bracket	1	4107662
Muffler Clamp Kit	1	80-6004
3/8" Locknut	2	82-0200-0038

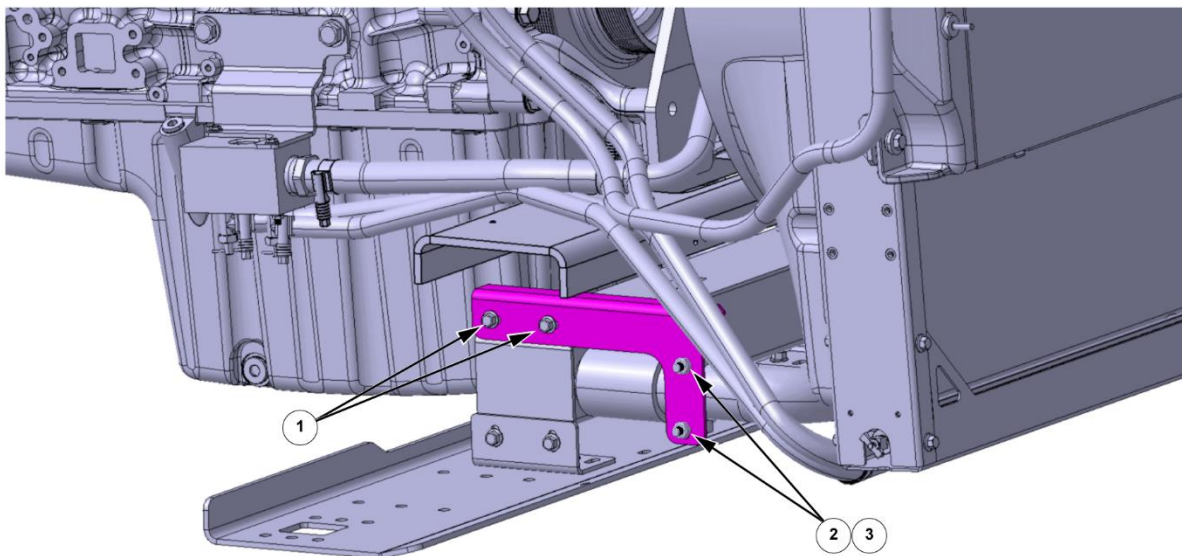
1. Remove nuts (1) from bolts and bracket.
2. Remove nuts (2) and muffler clamp (3) from bracket.
3. Remove bracket from vehicle.

**PARTS BULLETIN #**



*Figure 1*

4. Install muffler clamp on bracket (3) with nuts (2).
5. Install two nuts (1) on bracket.
6. Torque nuts.



*Figure 2*

If any additional support is needed, please open a technical support incident on [Pierceparts.com](https://www.pierceparts.com).