

March 1, 2022

Version 2

9" Center Display Buzz Or Ticking Sound

Supersedes 21-063, dated August 13, 2021, to revise the information highlighted in **yellow**.

AFFECTED VEHICLES

Year	Model	Trim Level	VIN Range
2022	Civic	ALL	ALL

REVISION SUMMARY

Under AFFECTED VEHICLES, trim level updated to ALL.

SYMPTOM

A buzz or ticking sound is heard from the center display.

POSSIBLE CAUSE

There is a gap between the center display unit and the dashboard causing vibrations.

CORRECTIVE ACTION

Apply wool felt tape to the lower corners of the center display unit.

REQUIRED MATERIALS

Part Name	Part Number	Quantity
Wool Felt Tape (One roll repairs 1,000 vehicles)	06993-SA5-000	1

WARRANTY CLAIM INFORMATION

The normal warranty applies.

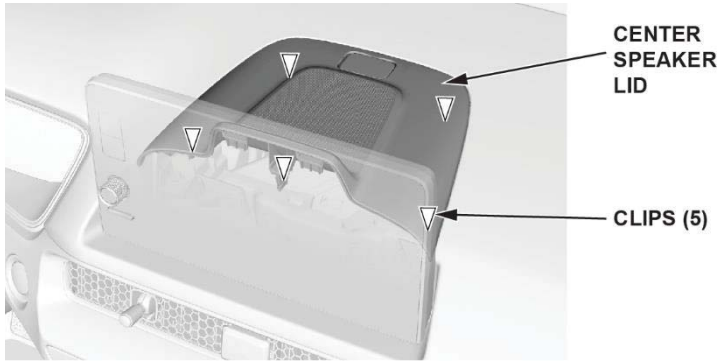
Operation Number	Description	Flat Rate Time	Defect Code	Symptom Code	Template ID	Failed Part Number
0160A0	wool	0.6 hr.	06201	04201	A21063A	8A700-T20-A01

Skill Level: Repair Technician

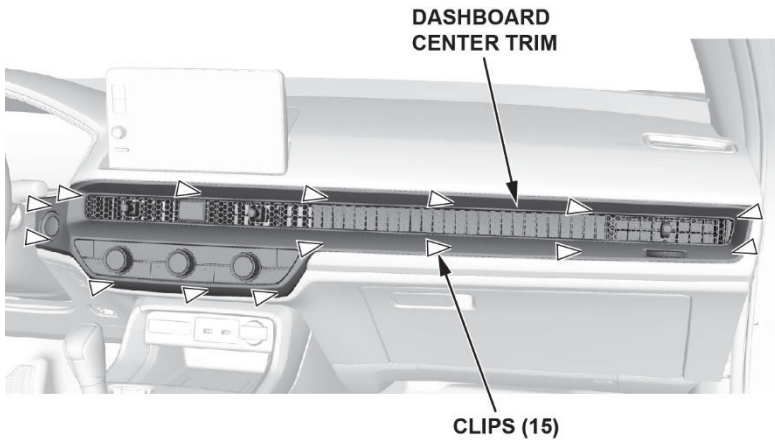
CUSTOMER INFORMATION: The information in this bulletin is intended for use only by skilled technicians who have the proper tools, equipment, and training to correctly and safely maintain your vehicle. These procedures should not be attempted by "do-it-yourselfers," and you should not assume this bulletin applies to your vehicle, or that your vehicle has the condition described. To determine whether this information applies, contact an authorized Honda automobile dealer.

REPAIR PROCEDURE

1. Remove the center speaker lid.

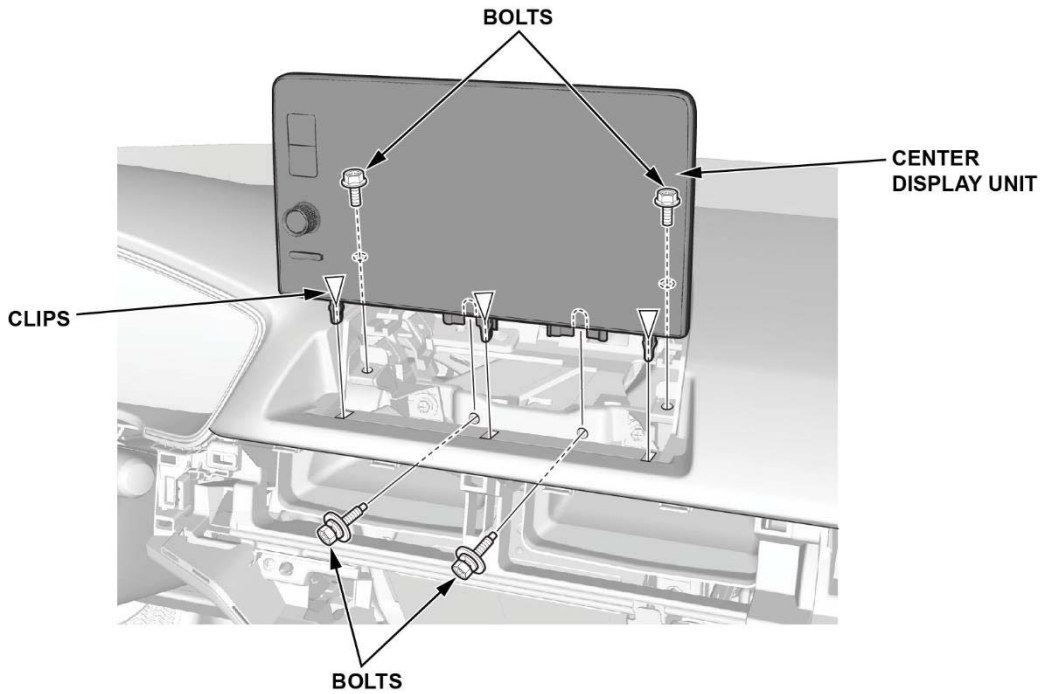


2. Remove the dashboard center trim.



3. Remove the center display unit.

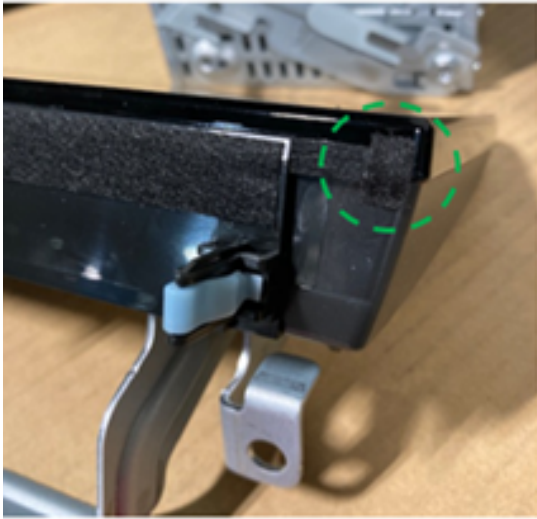
NOTE: Use caution to prevent damaging the center display unit.



4. Apply 5 x 10 x 1 mm pieces of felt tape to the applicable screen as shown in the location on both sides, then install the center display unit.

NOTE: Make sure the felt is not visible after screen installation.

8A700



8A100



5. Install the parts in the reverse order of removal.
6. Do the climate control unit Self-Diagnostic Function with the HDS.

END