

Whistling noise/wind noise, fixed rear spoiler

Topic number	LI77.25-P-074448
Version	1
Function group	77.25 - Wind deflector (spoiler)
Date	2/24/22
Validity	Model series 190 with code U11 + M032 (Black Series) from production startup up to and including production date November 11 2021

Reason for change

Complaint

Whistling noise/wind noise in area of fixed rear spoiler at speeds as from approx. 50mph (80 kph) (see "Wind" attachment).

Attachments	
File	Description
GT BS wind noise audio.m4a	Noise

Cause

Possibly due to wind interacting with the spoiler

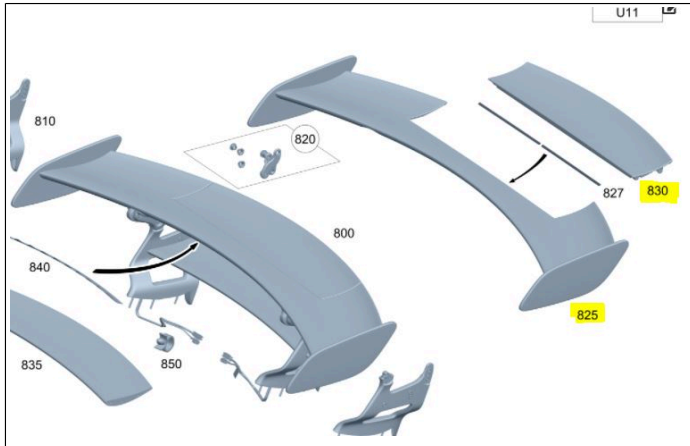
Remedy

The rework is ONLY VALID for vehicles in model series 190 with code U11 + M032 (Black Series) from production startup up to and including production date November 11 2021

1. Disassemble upper spoiler (Pos. 825 - A1907932600) (see Picture 1).
2. Use alcohol-based cleaner to remove all dust and grease from bonding area (see Picture 2).
3. In each case (left and right) and starting at Z in the Y-direction, stick two approx. 335 mm long strips of seal A1977520098 so that a gap of approx. 10-20 mm remains free around Y0 (see Picture 3). This gap acts as a water drain.
4. Use a roller and approx. 40-50 N to uniformly and carefully press on seal.
5. Assemble spoiler again and tighten screws (left and right) using Loctite 222 and a tightening torque of 10 +/-1 Nm (see Picture 4).

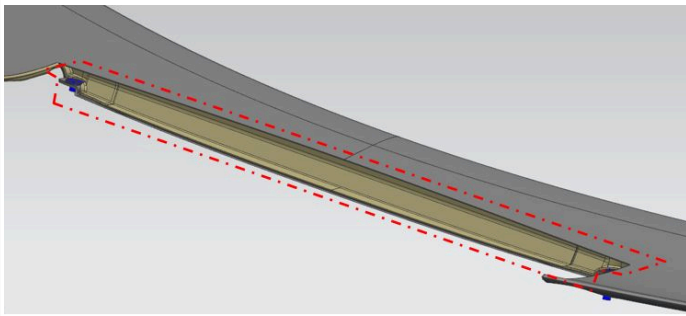
Attachments	
File	Description
Spoiler1.JPG	Picture 1

XENTRY TIPS



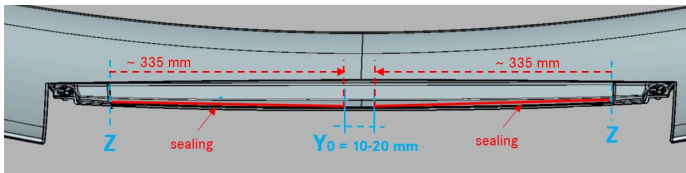
Klebefläche.JPG

Picture 2



Dichtung_Heckspoiler_Maße.JPG

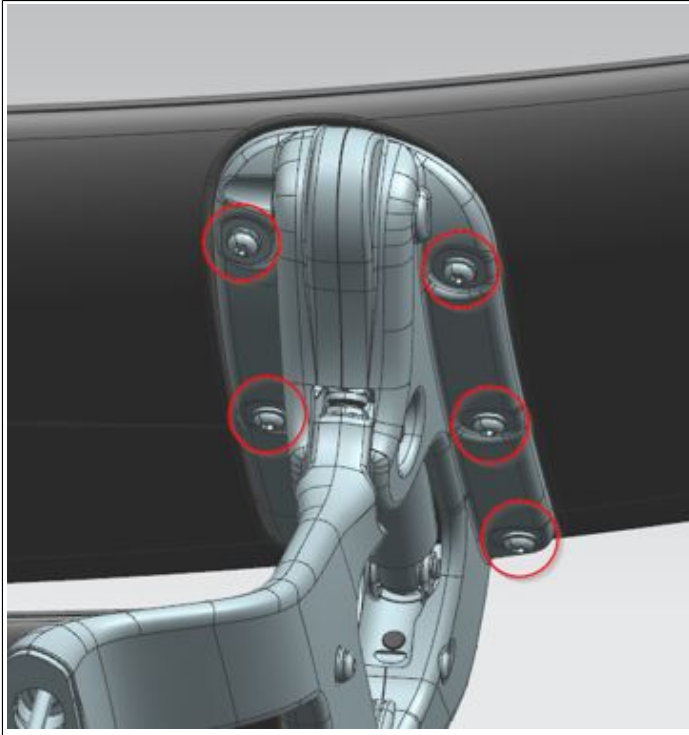
Picture 3



Schrauben.JPG

Picture 4

XENTRY TIPS



Symptoms

Body > Body/Cab > Spoiler > Operation, noises

Parts

Part number	ES1	ES2	Designation	Quantity	Note	EPC
A1977520098			Elastomer strip / seal	1		X

Operation numbers/damage codes

Op. no.	Operation text	Time	Damage code	Note
---------	----------------	------	-------------	------