

**ATTENTION:**

GENERAL MANAGER

PARTS MANAGER

CLAIMS PERSONNEL

SERVICE MANAGER

IMPORTANT - All Service Personnel Should Read and Initial in the boxes provided, right.


© 2022 Subaru of America, Inc. All rights reserved.



QUALITY DRIVEN® SERVICE

## SERVICE INFORMATION BULLETIN

**APPLICABILITY:** 2018-21MY WRX/STI  
 2014-16MY Crosstrek  
 2008-14MY Impreza WRX/STI

**NUMBER:** 06-85-22  
**DATE:** 02/23/22

**SUBJECT:** Rear Stabilizer Bar / Design Change

### INTRODUCTION:

This Service Information Bulletin announces the design change of the rear stabilizer bar. The paint thickness on the new stabilizer bars has been reduced to facilitate a more precise fit with the stabilizer bar links. The new stabilizer bars are interchangeable with the original parts and the links are reusable when bar replacement is needed.

### PRODUCTION CHANGE INFORMATION:

The rear stabilizer bar design change has been incorporated into vehicle production as per the table below.

Applicable Vehicle	Starting VIN
WRX/STI	M8804264

### PART INFORMATION:

**REMINDER:** Always order the most up-to-date replacement parts based on the specific VIN being repaired.

Part Description	Old Part #	New Part #	Diameter
STABILIZER-REAR	20451FG010	20451FG011	18mm
STABILIZER-REAR	20451FG020	20451FG021	19mm

**CAUTION: VEHICLE SERVICING PERFORMED BY UNTRAINED PERSONS COULD RESULT IN SERIOUS INJURY TO THOSE PERSONS OR TO OTHERS.**

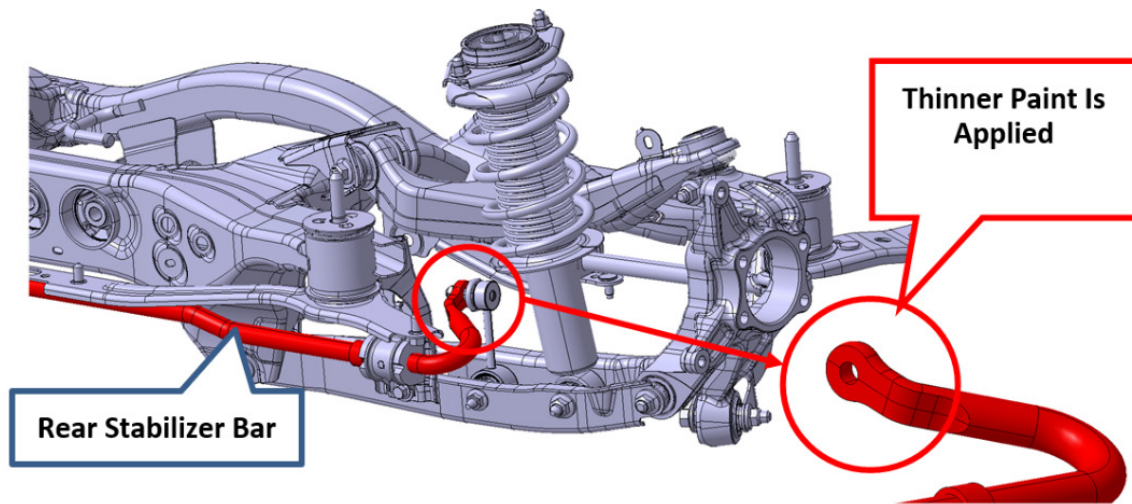
Subaru Service Bulletins are intended for use by professional technicians ONLY. They are written to inform those technicians of conditions that may occur in some vehicles, or to provide information that could assist in the proper servicing of the vehicle. Properly trained technicians have the equipment, tools, safety instructions, and know-how to do the job correctly and safely. If a condition is described, DO NOT assume that this Service Bulletin applies to your vehicle, or that your vehicle will have that condition.

**Subaru of America, Inc. is ISO 14001 Compliant**

ISO 14001 is the international standard for excellence in Environmental Management Systems. Please recycle or dispose of automotive products in a manner that is friendly to our environment and in accordance with all local, state and federal laws and regulations.

*Continued...*

## DESCRIPTION OF CHANGE:



**NOTE:** The paint color on the actual part (**BLACK**) is different from the image above.

## SERVICE PROCEDURE / INFORMATION:

**REMINDER:** Customer satisfaction and retention starts with performing quality repairs.

The service procedures for the rear stabilizer bar replacement remain unchanged. Always refer to the applicable Service Manual and review the full requirements of the repair being performed. The Service Manual procedures contain information critical to performing an effective repair the first time, every time. This includes but is not limited to important SAFETY precautions, proper inspection criteria, necessary special tools, required processes and related one-time-use parts needed for a complete and lasting repair.

Refer to STIS: Suspension > REAR SUSPENSION > Rear Stabilizer

**NOTE:** The Service Manual uses a **black star (★)** in the component breakdown illustration to indicate **one-time use** parts.

## WARRANTY / CLAIM INFORMATION:

There have been no changes made to the Warranty Labor Time guide for this procedure.

## IMPORTANT REMINDERS:

- SOA strongly discourages the printing and/or local storage of service information as previously released information and electronic publications may be updated at any time.
- Always check for any open recalls or campaigns anytime a vehicle is in for servicing.
- Always refer to STIS for the latest service information before performing any repairs.