

**Complaint - Camera Image of Front Camera is Blurred, Water Stains on the Camera Lens:
Replace Front Camera and Front Wire Harness if Necessary (149/21)**

Model Line: **Taycan (Y1A/ Y1B)**

Model Year: **As of 2020**

Equipment: **Park Assistent inkl. Surround View (I-no. KA6)**

Concerns: **Front camera**

Information: The customer complains about a blurred camera image or water stains on the camera image of the front camera. This may be caused by water seeping in at the **electric plug connection** for the front camera, resulting in soiling or damage.

Action required: In the event of a complaint, replace the front camera and, depending on the type of wire harness, also replace the front wire harness if necessary.



Information

A new type of rear wire harness with an improved seal at the plug connection for the reversing camera is available.

Rear wire harnesses with the **part number index G or H** (Part Nos.: 9J1971104G, 9J1971104H) already have the improved seal in the plug connection for the reversing camera. If the rear wire harness has a **part number index A-F**, it must also be replaced.

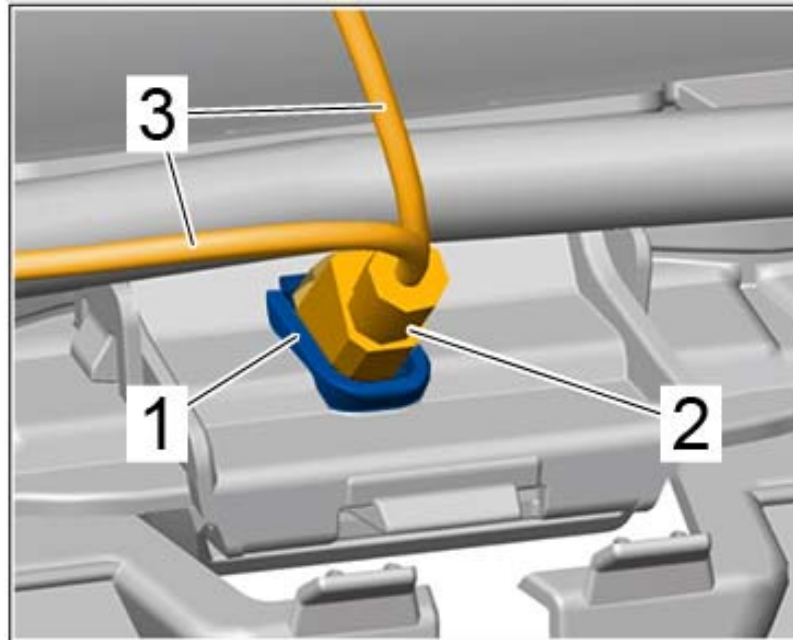
Parts required

| Parts Info: | Part No. | Designation | Number |
|-------------|-------------|-------------|--------|
| | 95898054600 | ⇒ Camera | 1 ea. |

Depending on the part number of the installed front wire harness, replace the relevant wire harness as follows if necessary:

| Part No. old | Part No. new | Designation | Number |
|--------------|--------------|----------------------|--------|
| 9J1971095AS | 9J1971095DA | ⇒ Front wire harness | 1 ea. |
| | | or | |
| 9JA971095L | 9JA971095AS | ⇒ Front wire harness | 1 ea. |
| | | or | |
| 9J1971095BC | 9J1971095DC | ⇒ Front wire harness | 1 ea. |

Component information



Front camera

- | | |
|---|----------------------------|
| 1 | - Front camera |
| 2 | - Electric plug connection |
| 3 | - Front wire harness |

Preparatory work

Work procedure: 1 Remove the front apron.
⇒ *Workshop Manual '631519 Removing and installing front apron'*

Repairing front camera

Work procedure: 1 Replace front camera.
⇒ *Workshop Manual '916919 Removing and installing front camera'*

- 2 Check wire harness and replace it if necessary.
- If the part number of the front wire harness corresponds to one of the **part numbers 9J1971095DA, 9JA971095AS or 9J1971095DC**: The new type of wire harness is already installed. Continue with ⇒ *Technical Information '916919 Subsequent work'*.

- If the part number of the front wire harness corresponds to one of the **part numbers 9J1971095AS, 9JA971095L or 9J1971095BC**: Replace wire harness with the relevant wire harness with the new type of wire harness: ⇒ *Technical Information '916919 Parts required'*

⇒ *Workshop Manual '971519 Removing and installing front wire harness'*

Concluding work

Work procedure: 1 Installing front apron.

⇒ *Workshop Manual '631519 Removing and installing front apron'*

2 Calibrate Surround View camera.

⇒ *Workshop Manual '917225 Calibrating Surround View camera'*

Invoicing

For documentation and invoicing in the event of a guarantee, state the work items required depending on the scope of work and the specified PCSS encryption in the warranty claim:

| APOS | Labor operation | I No. |
|----------|--|-------|
| 91691900 | Removing and installing front camera | |
| 97151900 | Removing and installing front wire harness | |

PCSS encryption:

| | | |
|-------------------|-------|--------------|
| Location (FES5) | 91690 | Front camera |
| Damage type (SA4) | 3015 | dirty |

References: ⇒ *Workshop Manual '916919 Removing and installing front camera'*

⇒ *Workshop Manual '971519 Removing and installing front wire harness'*

⇒ *Workshop Manual '631519 Removing and installing front apron'*

⇒ *Workshop Manual '917225 Calibrating Surround View camera'*

Important Notice: Technical Bulletins issued by Porsche Cars North America, Inc. are intended only for use by professional automotive technicians who have attended Porsche service training courses. They are written to inform those technicians of conditions that may occur on some Porsche vehicles, or to provide information that could assist in the proper servicing of a vehicle. Porsche special tools may be necessary in order to perform certain operations identified in these bulletins. Use of tools and procedures other than those Porsche recommends in these bulletins may be detrimental to the safe operation of your vehicle, and may endanger the people working on it. Properly trained Porsche technicians have the equipment, tools, safety instructions, and know-how to do the job properly and safely. Part numbers listed in these bulletins are for reference only. The work procedures updated electronically in the Porsche PIWIS diagnostic and testing device take precedence and, in the event of a discrepancy, the work procedures in the PIWIS Tester are the ones that must be followed.

© 2022 Porsche Cars North America, Inc.