

Transmission Symptom - Scraping Noises when Changing from 1st to 2nd Gear (SY 167/21)

Vehicle Type: **718 Spyder (982)/718 Cayman GT4 (982)**

Model Year: **As of 2019**

Equipment: **6-speed manual transmission (M-no. 480)**

Concerns: **Manual transmission**

Symptom: A customer complains about a scraping noise when changing from 1st to 2nd gear.

Cause: For performance reasons, no shifting mass was installed on the manual transmission on 718 Spyder (982) and 718 GT4 (982) vehicles, e.g. to achieve sportier gearshifts. As a result, under unfavourable conditions such as:

- Cold transmission oil
- High shifting speed
- High engine speed

Noises can be heard when changing from 1st to 2nd gear.

Remedial Action: In the event of a complaint, a balancing weight can be retrofitted on the manual transmission.



Information

Replacing the manual transmission will not correct the problem because this is not a manual transmission fault.



Information

Please note that retrofitting the balancing weight changes the vehicle's shift feel. As a result, shifting can then be perceived as less sporty than before and is then comparable with the shift feel of the 718 Boxster/Cayman GTS 4.0 (982).

On the 718 Spyder/Cayman GT4 (982), the shift feel was deliberately adapted to a sportier setup than on the 718 Boxster/Cayman GTS 4.0 (982).

Inform the customer about this before retrofitting the balancing weight.

Also inform the customer that retrofitting the balancing weight cannot be invoiced under the new vehicle warranty or PAW (Porsche Approved Warranty) as this is not a fault.

Parts requiredParts Info: **Required parts:**

Part No.	Designation - Location	Number
98130305100	⇒ Balancing weight - Manual transmission includes: - Ball joint - Screw, M12 x 1.75	1 ea.
98142403500	⇒ Reversing lever - Manual transmission	1 ea.

Preparatory work

Work Procedure: 1 Removing rear underbody cover. ⇒ *Workshop Manual '519419 Removing and installing cover for rear underbody'*

Retrofitting balancing weight

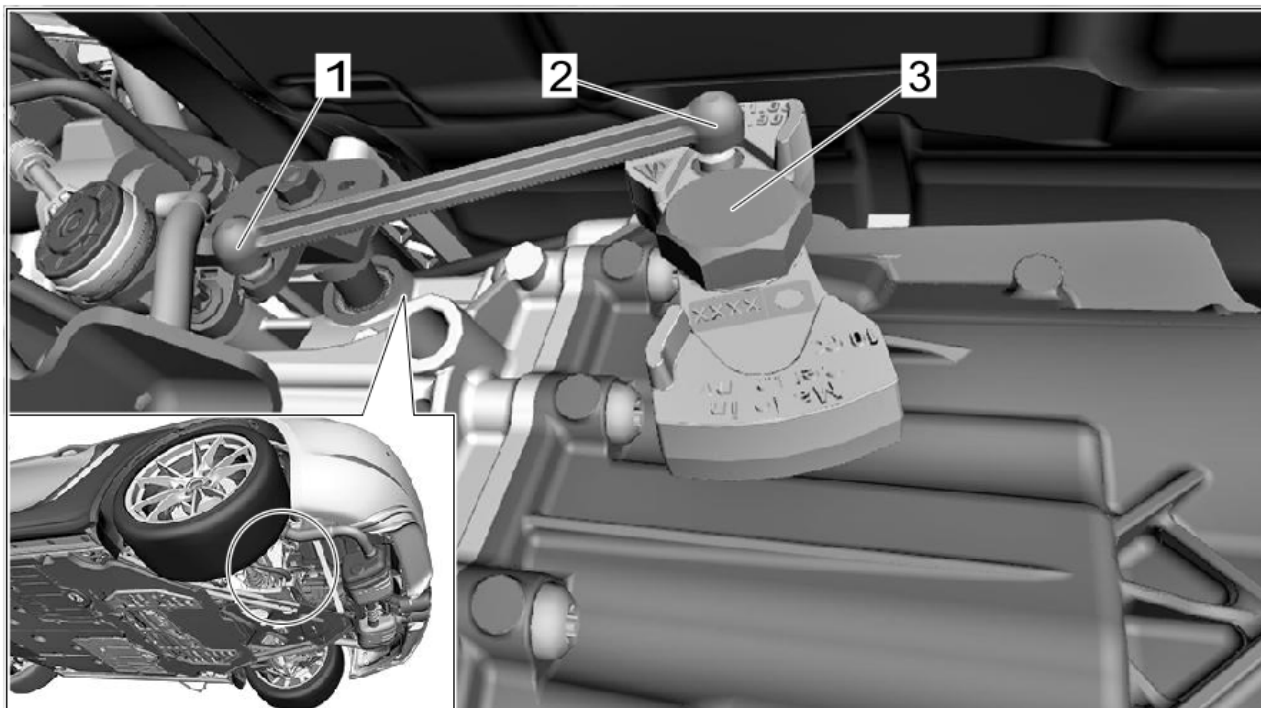
Work Procedure: 1 Position balancing weight on the transmission and tighten with fastening screw ⇒ *Installation position of balancing weight -3-*.

Tightening torque 30 Nm +5 Nm

- 2 Press reversing lever onto ball joints ⇒ *Installation position of balancing weight -1-* and ⇒ *Installation position of balancing weight -2-*.

**Information**

After installing the reversing lever, check that it is installed securely and correctly.



Installation position of balancing weight

Concluding work

Work Procedure: 1 Installing rear underbody cover. ⇒ *Workshop Manual '519419 Removing and installing cover for rear underbody'*

Invoicing

Invoicing: Use the labor operation specified below for invoicing the work involved:

APOS	Labor operation	I No.
34274925	Reworking gearshift lever for transmission	

References: ⇒ *Workshop Manual '519419 Removing and installing cover for rear underbody'*

Important Notice: Technical Bulletins issued by Porsche Cars North America, Inc. are intended only for use by professional automotive technicians who have attended Porsche service training courses. They are written to inform those technicians of conditions that may occur on some Porsche vehicles, or to provide information that could assist in the proper servicing of a vehicle. Porsche special tools may be necessary in order to perform certain operations identified in these bulletins. Use of tools and procedures other than those Porsche recommends in these bulletins may be detrimental to the safe operation of your vehicle, and may endanger the people working on it. Properly trained Porsche technicians have the equipment, tools, safety instructions, and know-how to do the job properly and safely. Part numbers listed in these bulletins are for reference only. The work procedures updated electronically in the Porsche PIWIS diagnostic and testing device take precedence and, in the event of a discrepancy, the work procedures in the PIWIS Tester are the ones that must be followed.

© 2022 Porsche Cars North America, Inc.