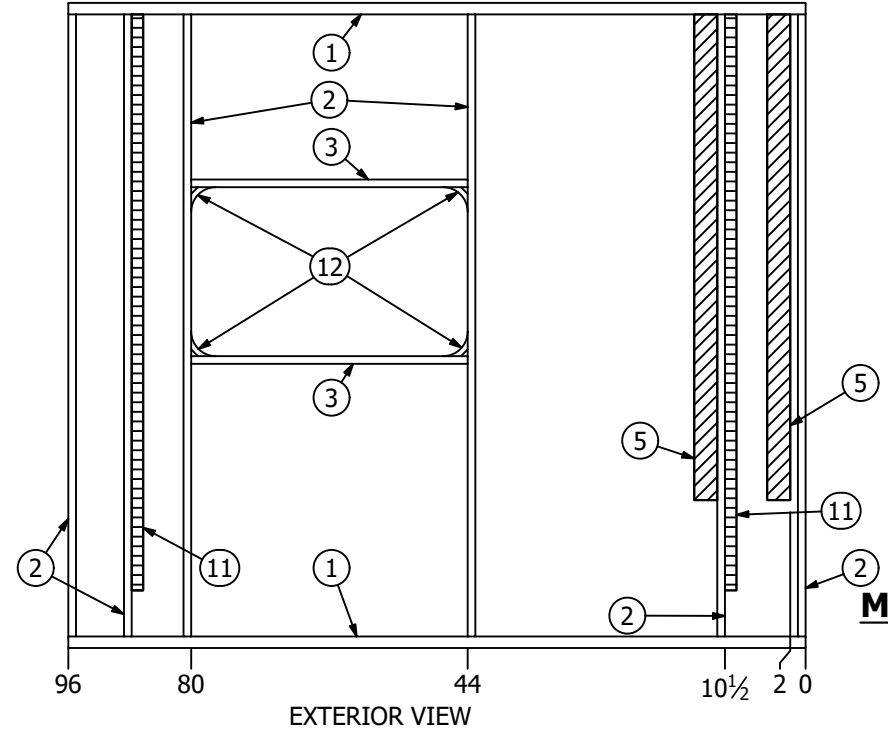
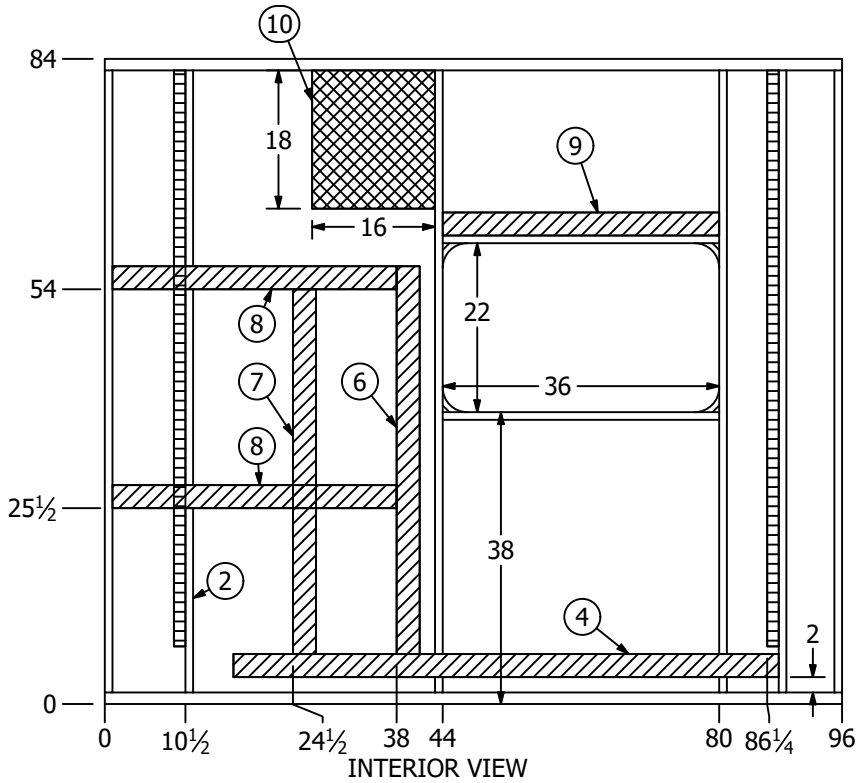


PARTS LIST				PARTS LIST			
ITEM	QTY	DESCRIPTION	ITEM	QTY	DESCRIPTION		
1	2	1" x 1 1/2" x 96" Aluminum Tube	10	1	18" x 16" x 7/8" - OSB		
2	6	1" x 1" x 81" Aluminum Tube	11	2	1" x 1 1/2" x 75" - Plastic Wire Channel		
3	2	1" x 1" x 36" Aluminum Tube	12	4	1 x 3.2" Radius Block		
4	1	3" x 71" x 0.019-EGS Backer					
5	2	3" x 63 1/4" x .019-EGS Backer					
6	1	3" x 50 1/2" x .019-EGS Backer					
7	1	3" x 47 1/2" x .019-EGS Backer					
8	2	3" x 37" x .019-EGS Backer					
9	1	3" x 36" x .019-EGS Backer					



MODEL LIST:
T29BH
T31BH
T32BH
T34BH



FOREST RIVER INDUSTRIES, INC. CLAIMS PROPRIETARY RIGHTS IN THE MATERIAL DISCLOSED HEREIN. NEITHER THIS DRAWING NOR ANY REPRODUCTION THEREOF MAY BE USED TO MANUFACTURE ANYTHING SHOWN HEREON WITHOUT PERMISSION IN WRITING FROM FOREST RIVER INC.

BY: **JDS** APPROVED BY: _____ FRACTIONAL TOLERANCE: +/- 1/16
 DATE: 4/23/2018 SHEET #: 1 OF 1 ANGULAR TOLERANCE: +/- 1'
 DESCRIPTION: _____ SHEET SIZE: A

REV: **M** VENDOR PART#: _____ DRAWING #: **09-000010**

REVISION HISTORY				
REV	ECO #	DESCRIPTION	DATE	BY
K	ECO-20-1104	CHANGED WINDOW WIDTH FROM 30" TO 36"	10/31/2019	EI
L	ECO-21-0655	UPDATED FOR HOT MELT	7/30/2020	SAB
M		UPDATED TO RUN PDF	11/1/2021	EI