

# RCA-78-22-001-1: Rear Wheel Speed Sensor Harness Seating

Rivian is initiating a customer satisfaction campaign for some model year 2022 R1T vehicles that may experience a rear wheel liner wire harness (electronic parking brake and wheel speed sensor) pulling out of the harness holder during full wheel droop, allowing the harness to be out of position and contact the inside of the wheel. If the harness rubs through it could cause a loss of electronic parking brake and/or wheel speed sensor for that wheel. This could result in decreased parking brake performance. This condition was discovered after the off-road portion of a media event. The customer will receive adequate forewarning of this condition from the malfunction indicator lamp (MIL). Further, the vehicle will go into a limited performance mode and the electronic parking brake for the other wheel would still be able to hold a steep grade (20%) at GVWR. Installing cable ties will secure the rear wheel harnesses to the knuckle bracket to ensure retention. Rivian is launching this campaign for customer satisfaction and for the continuous improvement of Rivian vehicles.

<b>Document Type</b>	Customer Satisfaction Campaign Bulletin
<b>Date</b>	January 13, 2022
<b>Affected Region(s)</b>	USA
<b>Affected Model(s)</b>	R1T
<b>Model Year(s)</b>	2022
<b>Approximate Build Dates</b> Refer to the FSA Dashboard to determine if this document applies to a specific vehicle.	August 2021 - September 2021
<b>Vehicle System</b>	78 - Low Voltage Electrical
<b>Minimum Service Location</b>	Mobile

## Required Parts

Part Number	Quantity	Engineering Name	Service Name/Notes
N/A	2	Snap-On TR88303	12 inch cable tie

## Potentially Required Parts

Part Number	Quantity	Engineering Name	Service Name/Notes
C100000588-K	1	HARNESS - WHEEL ARCH RR LH	Harness, Wheel Liner, Rear, LH
C100000569-K	1	HARNESS - WHEEL ARCH RR RH	Harness, Wheel Liner, Rear, RH

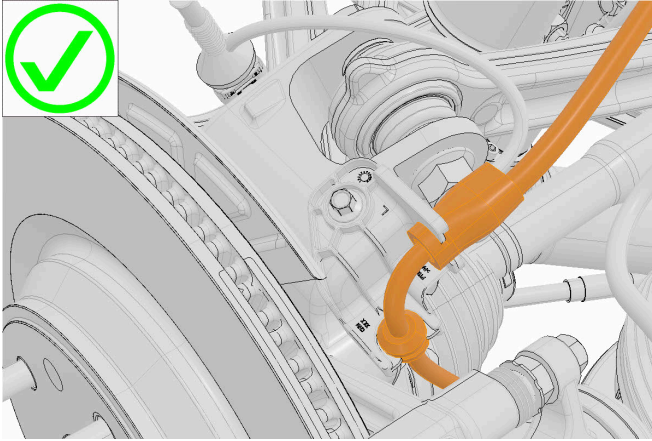
## Inspection and Replacement

1. Set the ride height to highest.

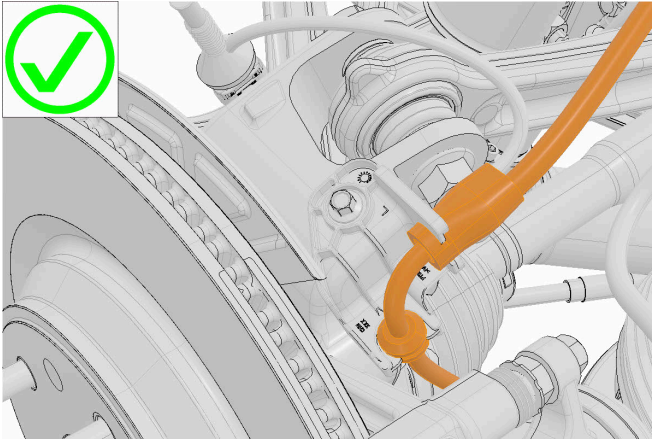
LH and RH rear:

2.

Check the component to see if it is properly seated.



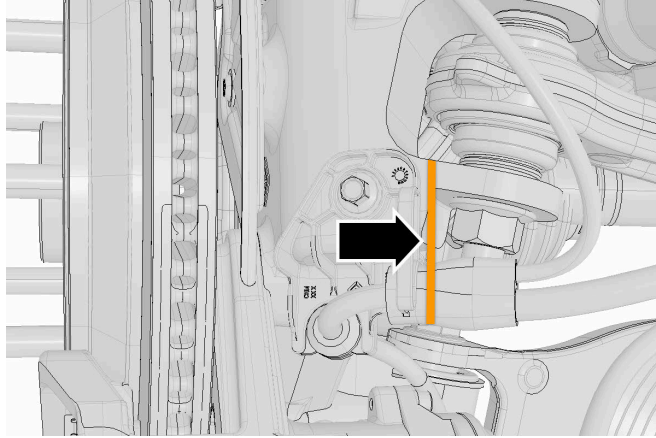
- If the component is properly seated, skip to the [Retainer Installation](#) section.
  - If the component is loose, continue to the next step.
3. Inspect the component for abrasion from contact with the wheel.
- If the component shows signs of abrasion, Replace: Harness, Wheel Liner, Rear (refer to service manual procedure 787066010).
  - If there are no signs of abrasion, continue to the next step.
4. Re-seat the component as shown.



5. Continue to the next section.

# Retainer Installation

On both sides: Install: Cable tie. Position the component as shown.



## Labor Codes

Labor Code	Description
RCA782200100	RCA-78-22-001-1 not applicable
RCA782200101	Install LH and RH wheel speed sensor harness retainers
RCA782200102	Replace Harness, Wheel Liner, Rear, LH; install LH and RH wheel speed sensor harness retainers
RCA782200103	Replace Harness, Wheel Liner, Rear, RH; install LH and RH wheel speed sensor harness retainers
RCA782200104	Replace Harness, Wheel Liner, Rear, LH and RH; install LH and RH wheel speed sensor harness retainers
Contact <a href="mailto:ServiceDocumentFeedback@rivian.com">ServiceDocumentFeedback@rivian.com</a> regarding labor codes and document content.	