



Mack Chassis - Anthem (AN) Models - Headlight Diagnostics And Replacement; Instructions For Non-Functioning Headlight Or Turn Signal In Headlight Housing



> Internal Content

13 January 2020 UPDATE

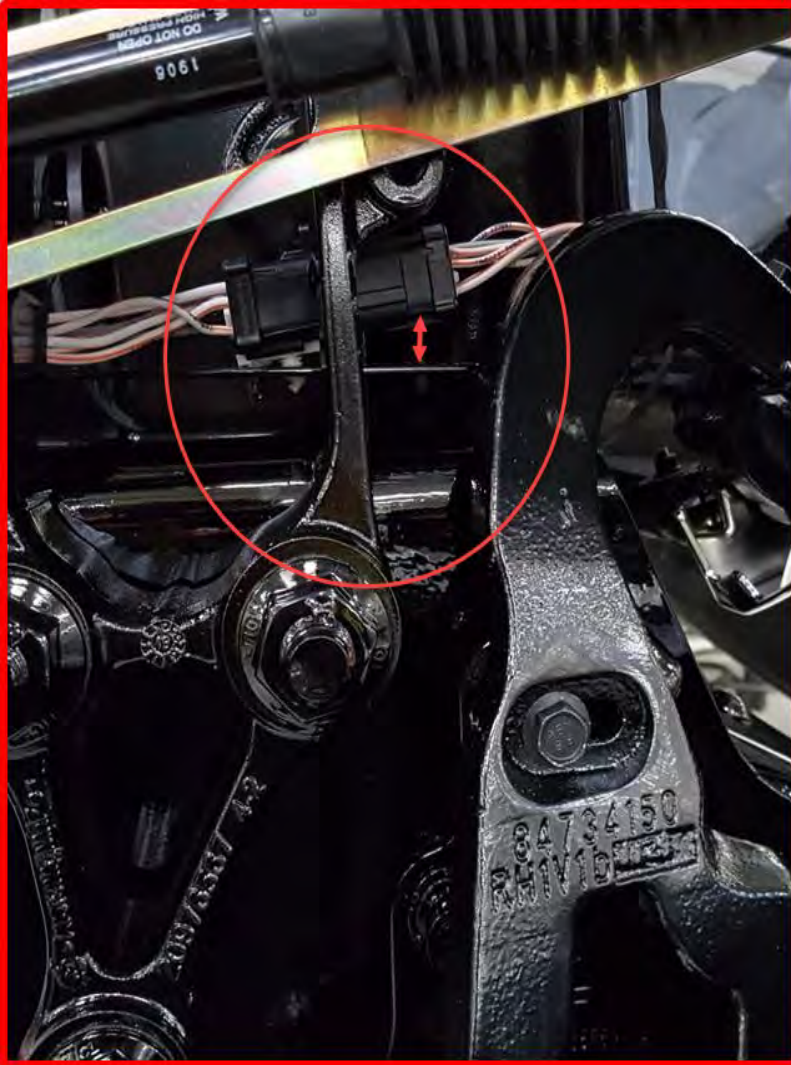
Headlight Housings have been made available in spare parts. See chart below.

For vehicles affected by this issue:

Check if the connectors shown below are aligned correctly and securely pushed into the bracket. Wiring fatigue may result in a headlight, marker light, or fog light not working due to an open or short circuit.

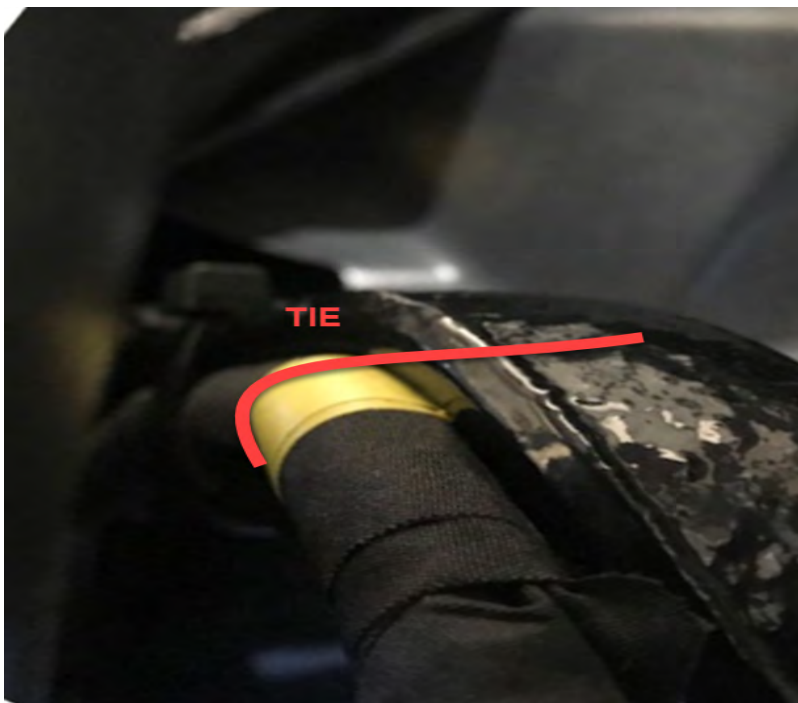
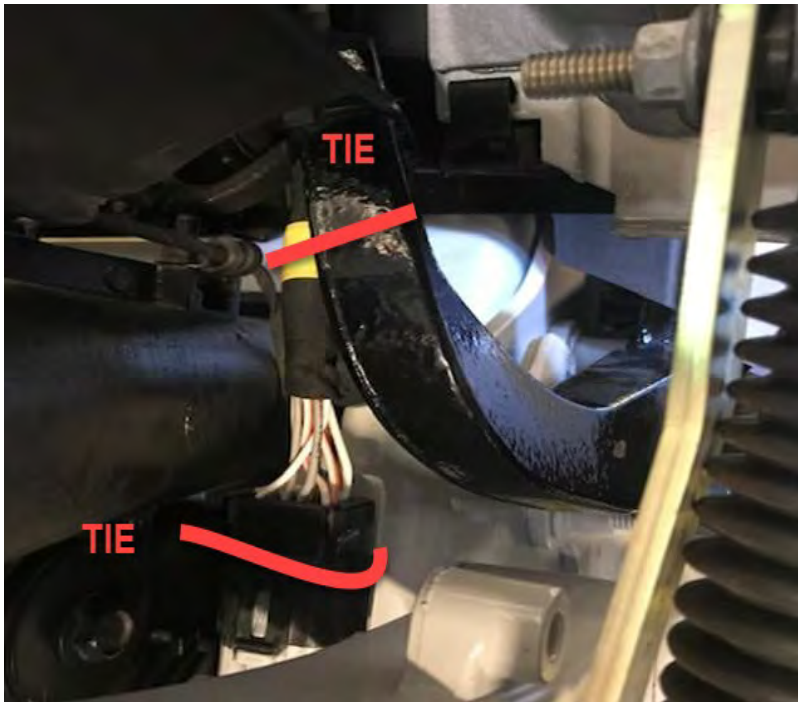


Live UI



If the connectors are out of place:

1. Clip the harness securely to the hood bracket and the chassis bracket to pull harness away from the charge air cooler (CAC).
2. Use cable ties to secure the harness in the positions shown below.



If the wiring harness is found to be damaged: Repair the harness using pigtail(s) part number [23662347](#) (chassis side) and/or part number [23662349](#) (hood side).

If no issues are found with the harness, proceed to the instructions below.

Amber/Turn Signal Not Working

Live UI Amber/turn signal is not working the affected headlight housing will need to be replaced. The failure has been found to be the headlight housing itself.

NOTE: The headlight module should NOT be replaced if the turn signal is not working.



Headlamp Housing - Spare Parts	
P/N	Description
23769615	HEADLAMP HOUSING, BASELINE, LH
23769616	HEADLAMP HOUSING, BASELINE, RH
23769611	HEADLAMP HOUSING, PREMIUM, LH
23769613	HEADLAMP HOUSING, PREMIUM, RH

NOTE: Refer to Impact to verify the lastet part number.

Headlight Not Working

If the headlight is not working, only the headlight module will need to be replaced. The headlight module is the only serviceable part for the Mack Anthem headlamp.

Part Number for the Headlight Module:

 Live UI

- Right and Left- [84735466](#)



For removal and installation instructions refer to [3521-03-02-01 Headlamp Assembly, Replacement](#) located in [Impact](#).

Related links and attachments

No links or attachments available



Feedback

[Give feedback](#)

to help improve the content of this article

Headlamp Assembly, Replacement



Illustrations may differ slightly from the actual vehicle being serviced. However, key components addressed in this information are represented as accurately as possible.



All threaded fasteners that do not have a tightening torque specification in the information are tightened to a standard torque. Standard torques are available in the following specification. → [Standard Tightening Torques](#)



CAUTION

Service Information Advisory.

If you are not properly trained and certified in this procedure, ask your supervisor for training before you perform it.

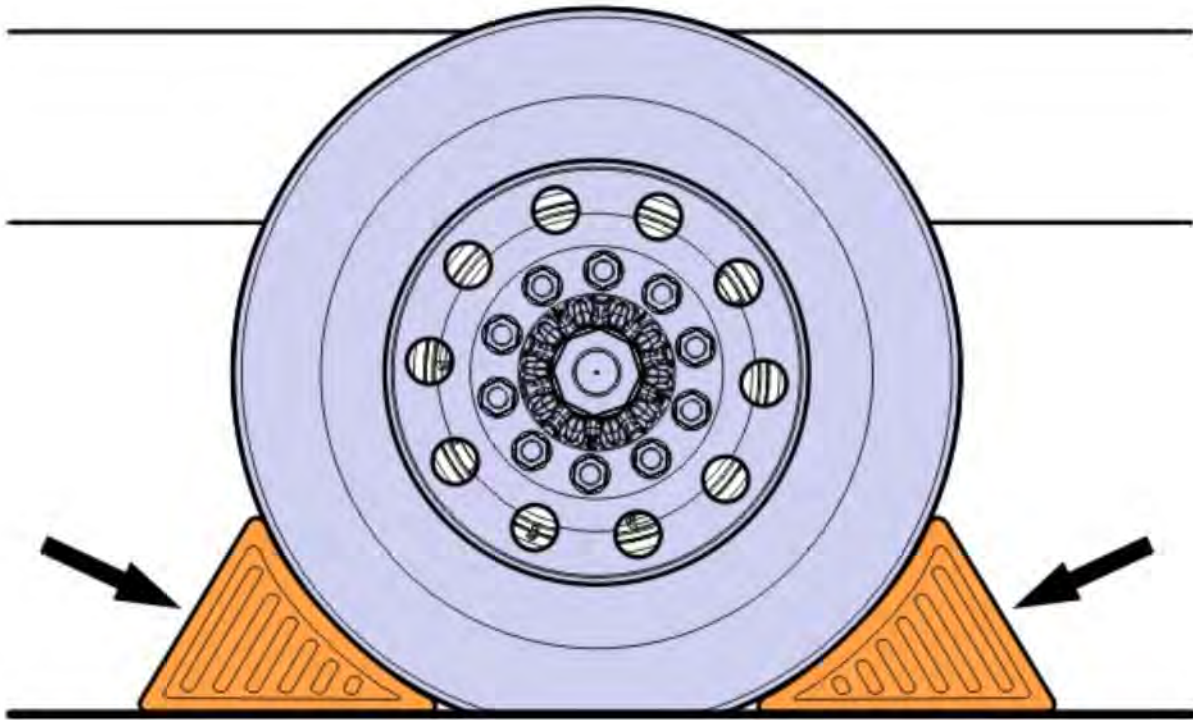
- ▶ You must read and understand the precautions and guidelines in Service Information, Function Group 3, "General Safety Practices, Electrical and Electronics" before performing this procedure.

1 Park the vehicle on a level surface.

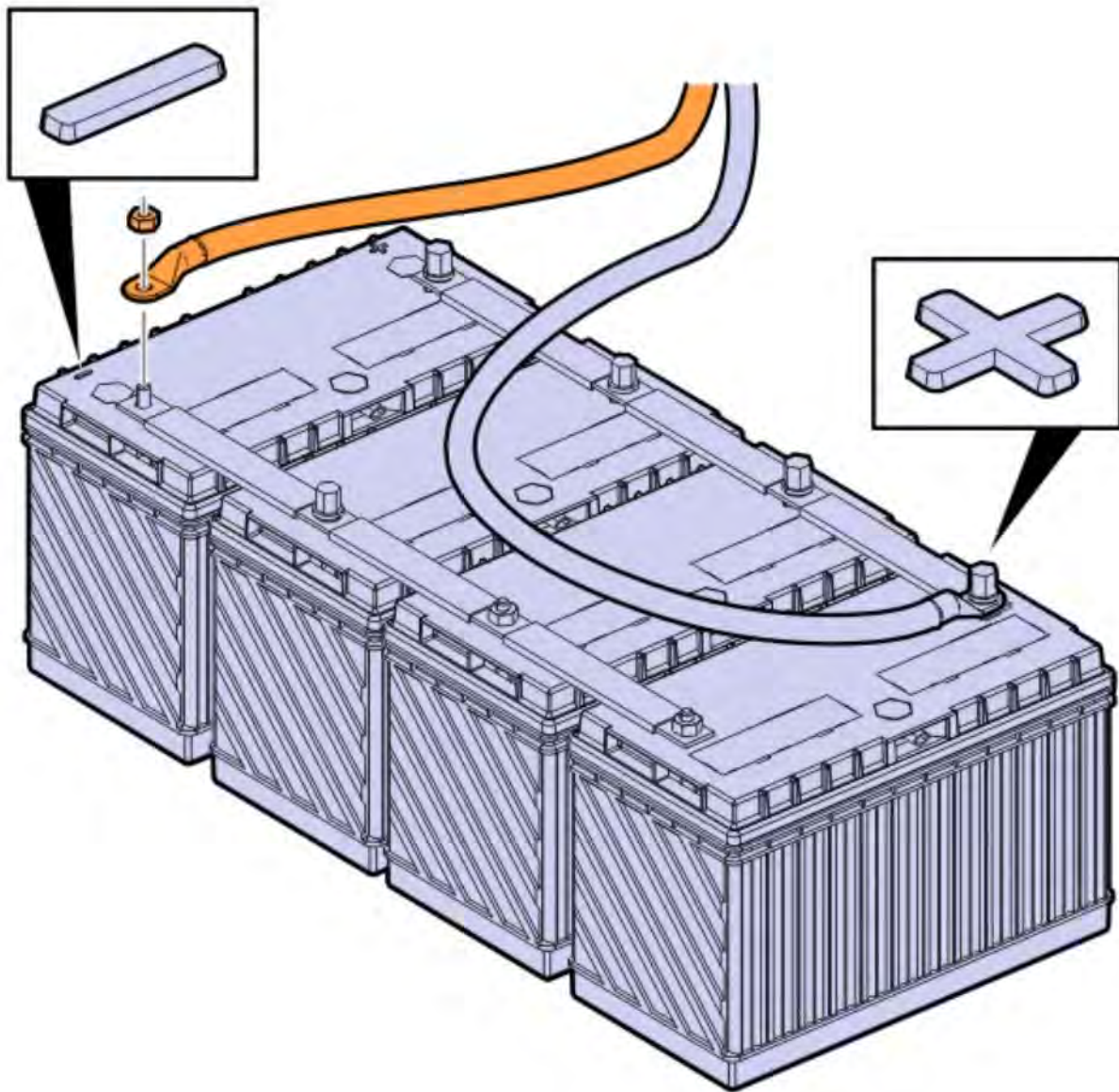
2 Apply the parking brake.

3 Place the gear lever in neutral.

4 Install the wheel chocks.



5	Disconnect the cable from the negative terminal.
---	--



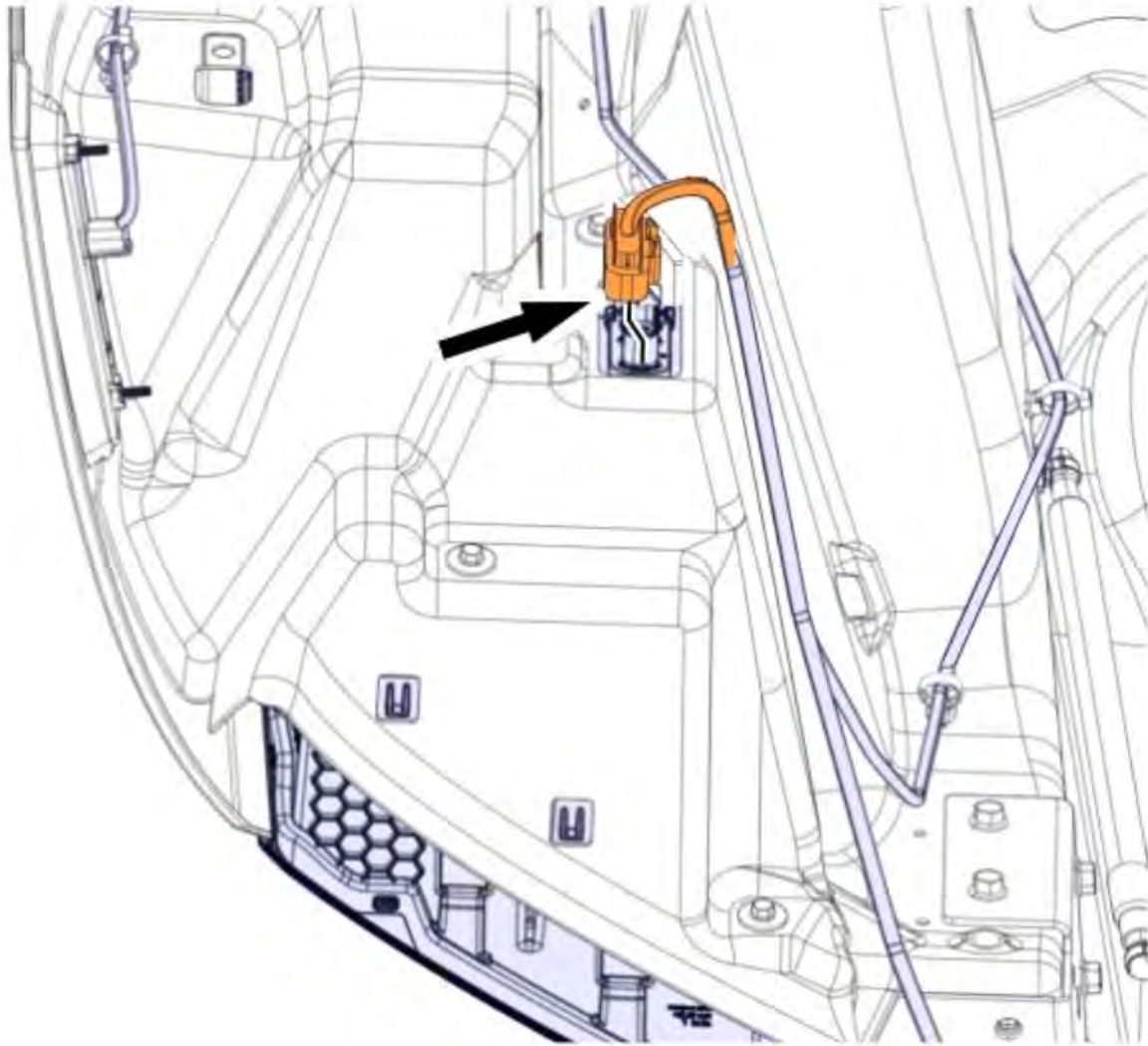
6	Unlatch and raise the hood.
---	-----------------------------

7	Remove the screws.
---	--------------------

8	Remove the splash shield.
---	---------------------------



9	Disconnect the connector.
---	---------------------------

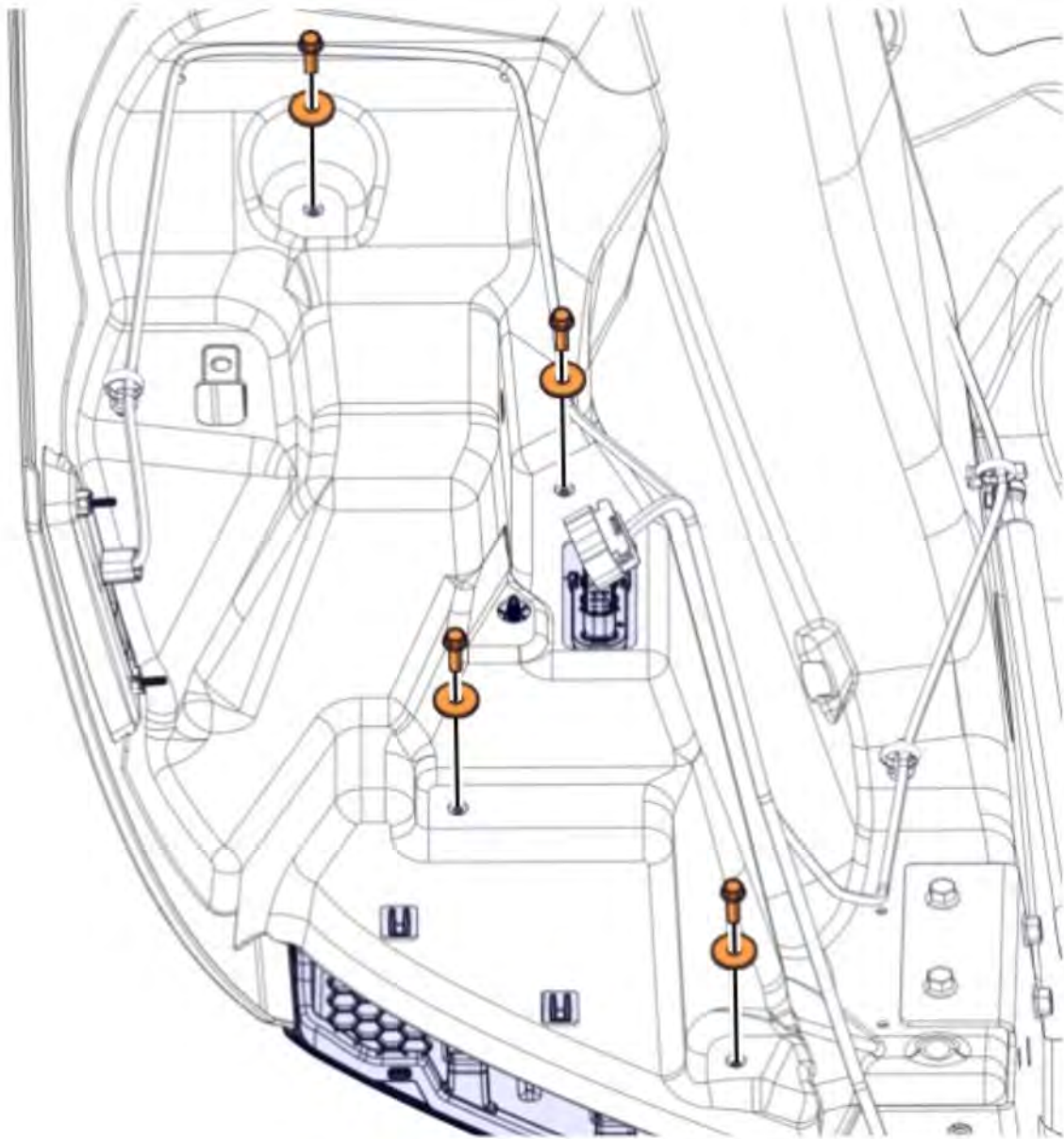


10 Remove the screws.

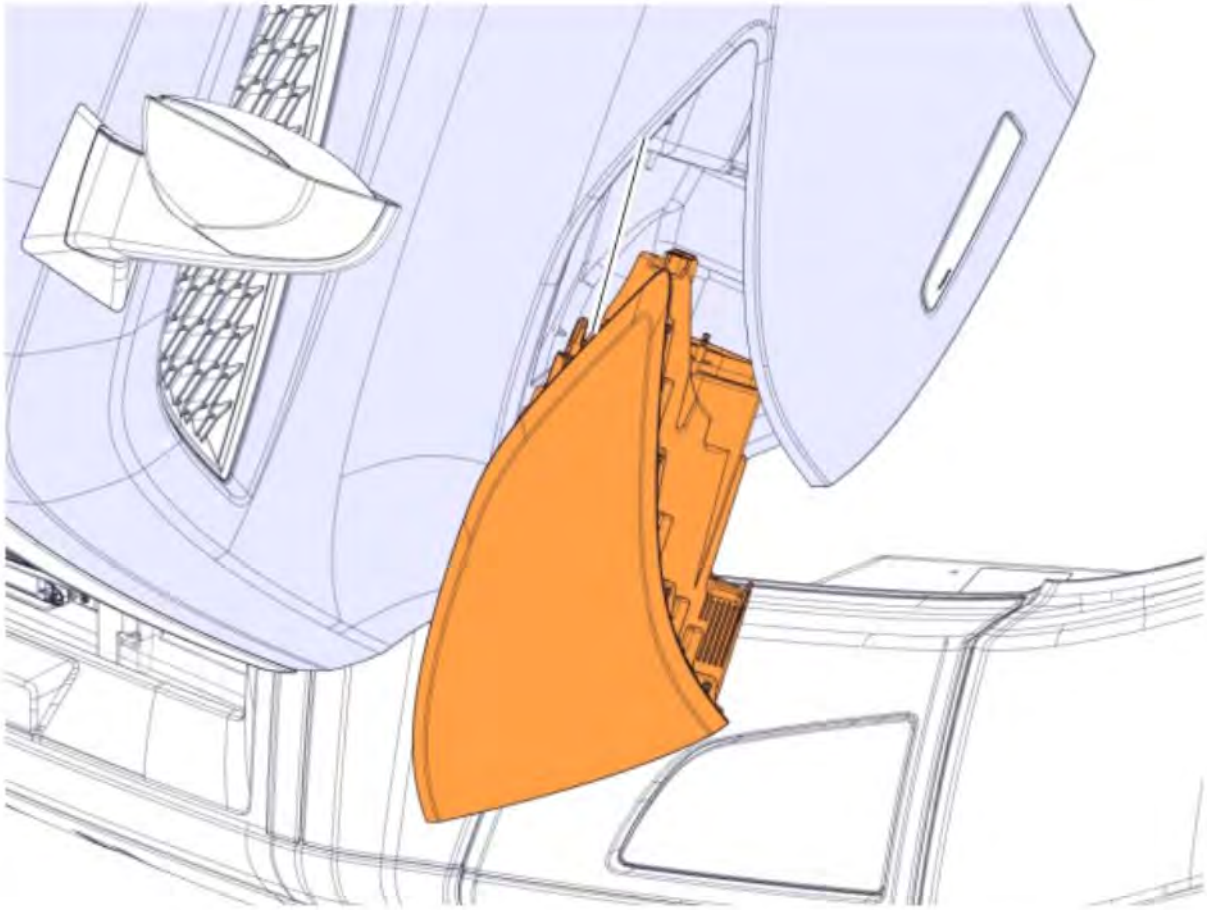


Note

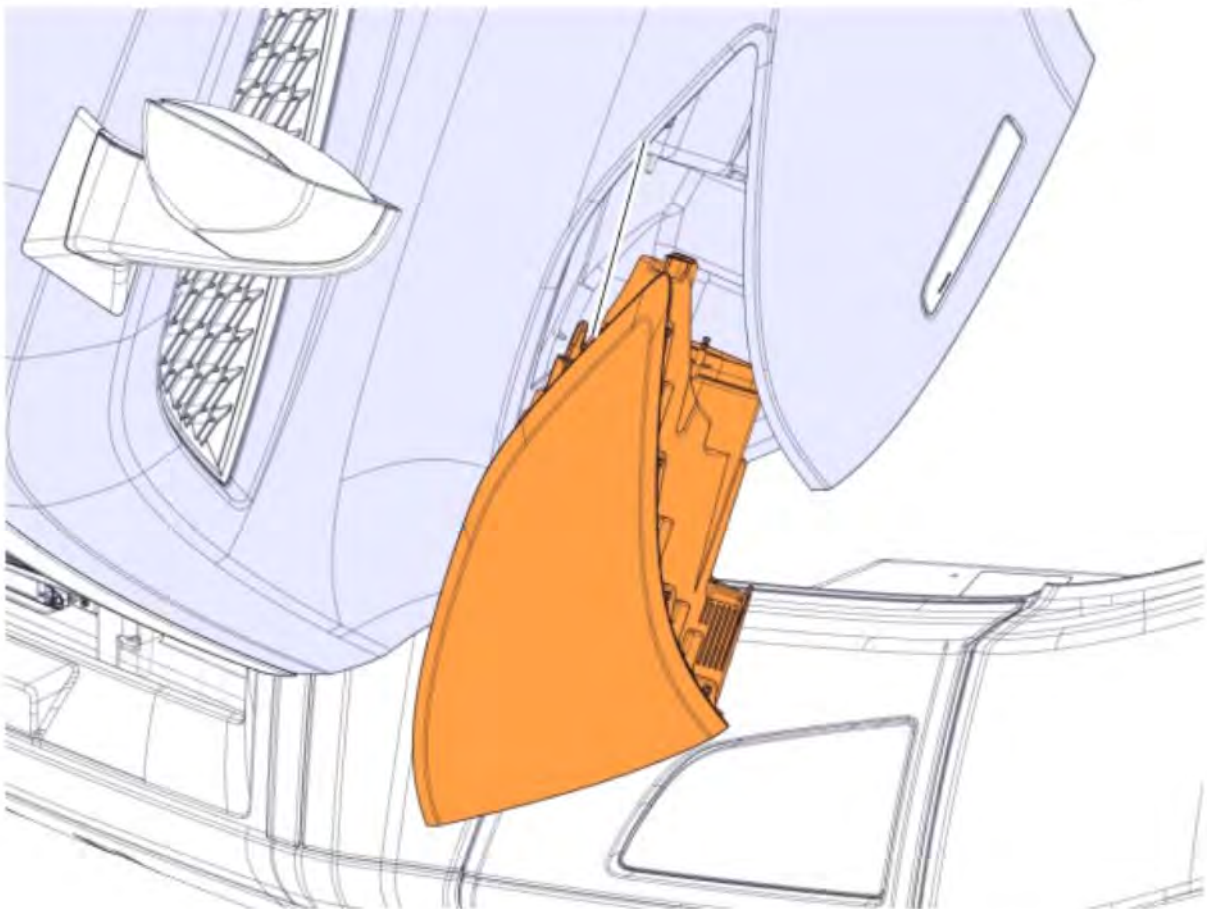
Make sure the headlamp does not fall from the hood.



11	Remove the headlamp.
----	----------------------



12 Install the headlamp.



13 Align the headlamp to the hood using pins (A) and tabs (B).

Copyright to this documentation belongs to the Volvo Group. No reproduction, copying, change, amendment or other similar disposal is entitled without prior written consent by the Volvo Group

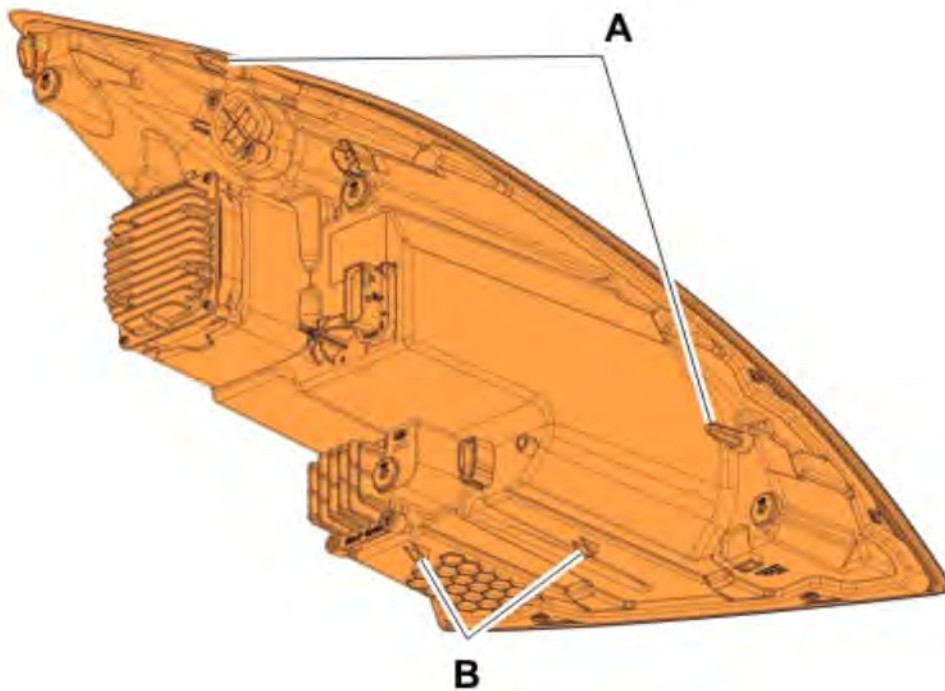
The information contained herein is current at the time of its original distribution, but is subject to change. The reader is advised that printed copies are uncontrolled.

**Service hint**

Rotate the headlamp slightly.

**Note**

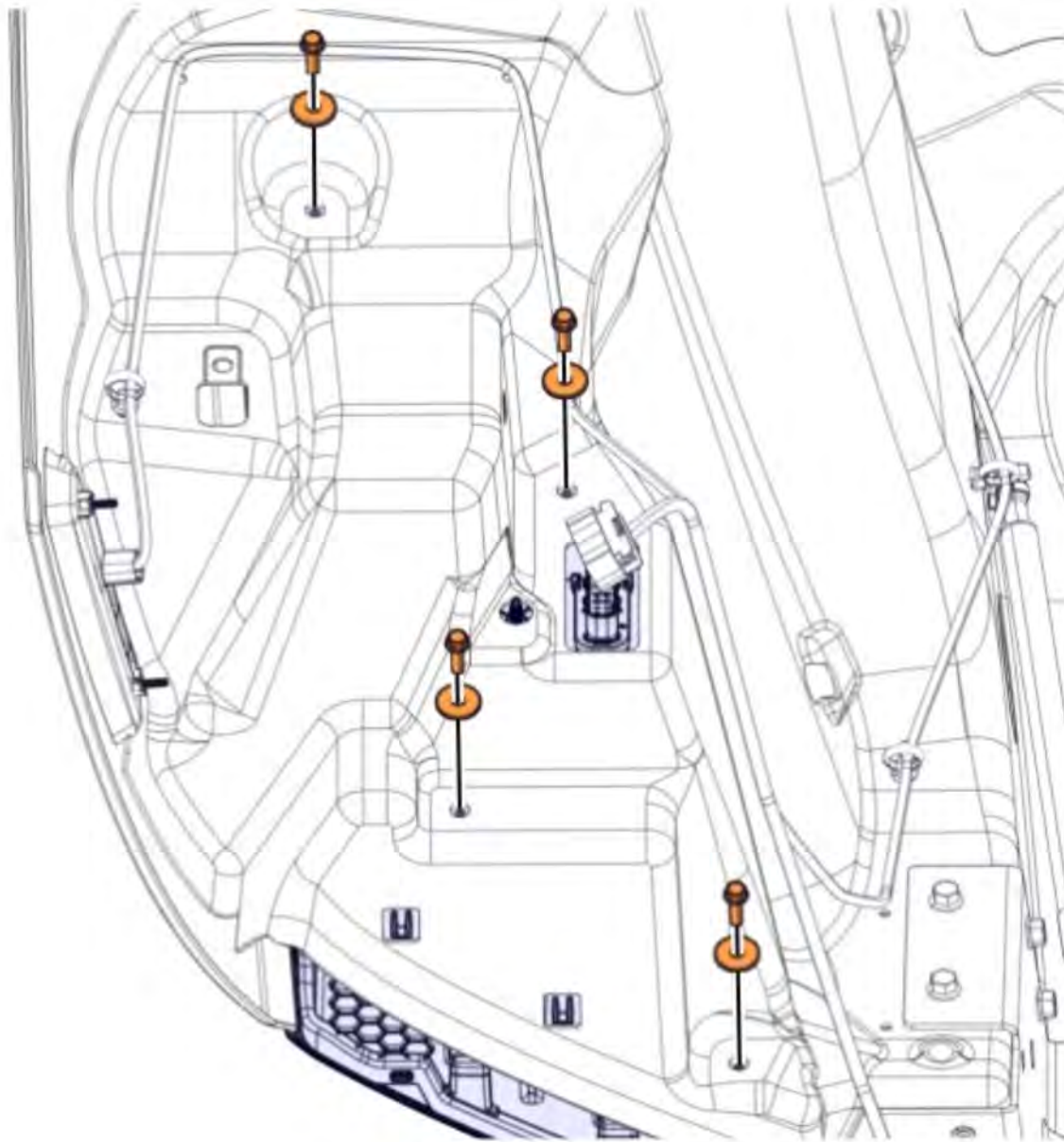
Ensure that the tabs are fully engaged.



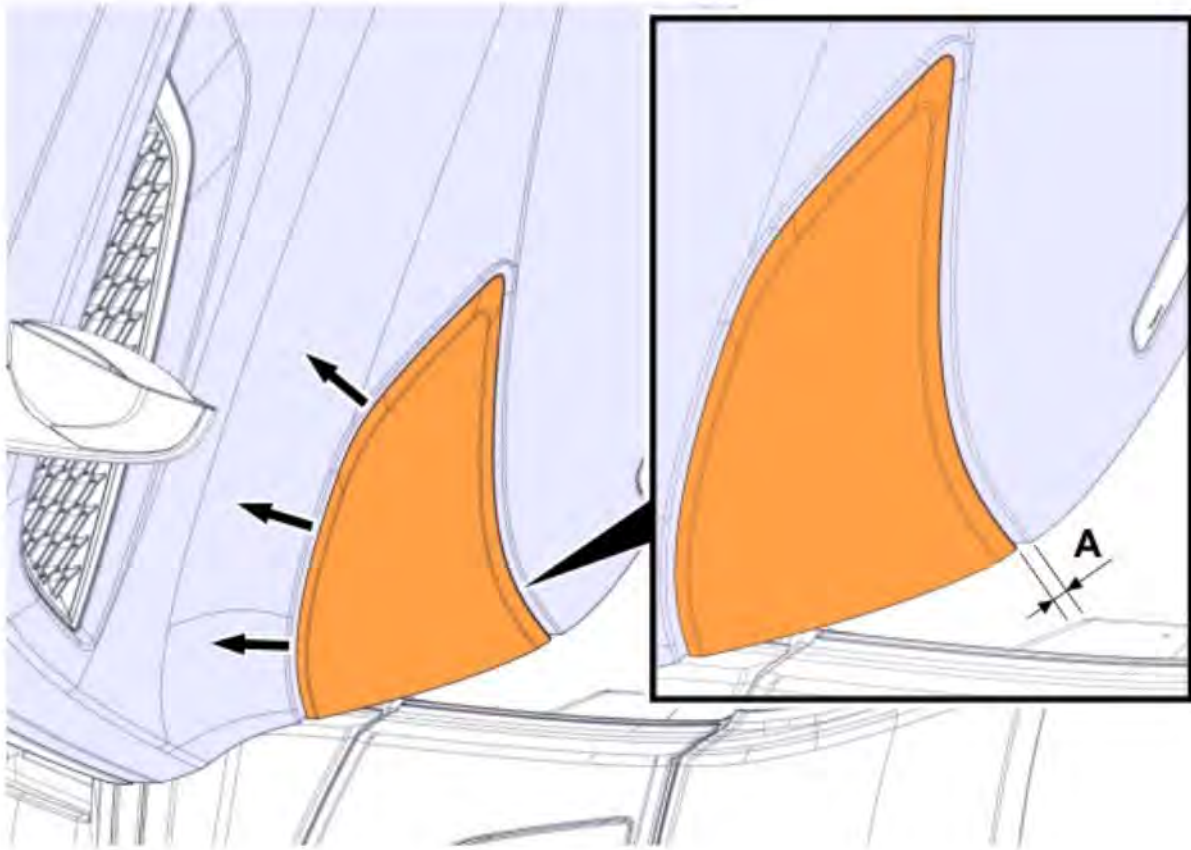
14 Install the screws and washers.

**Note**

Hand tighten only.

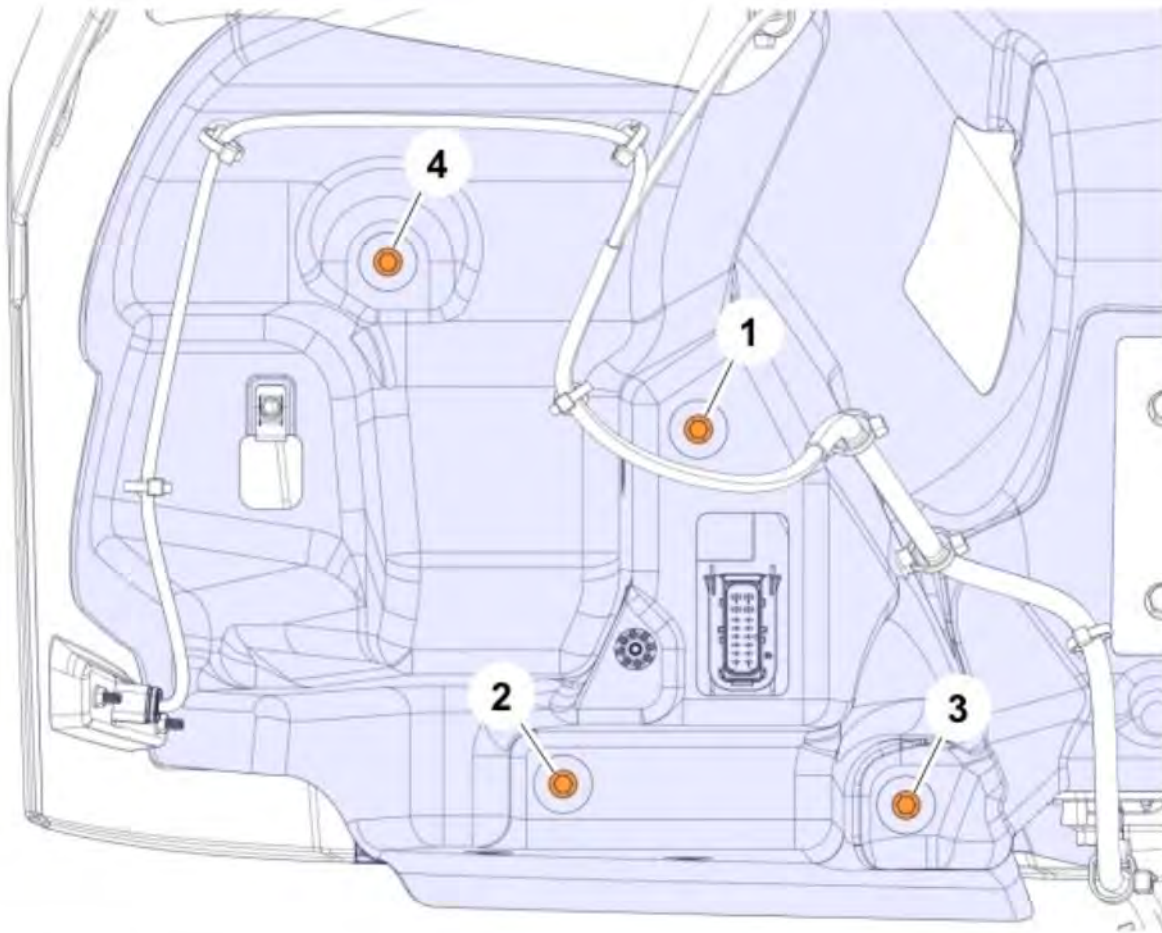


15	Check the gap (A).	
	Tech data	
	Headlamp to hood, outer edge, distance	5 mm (0.2 in)

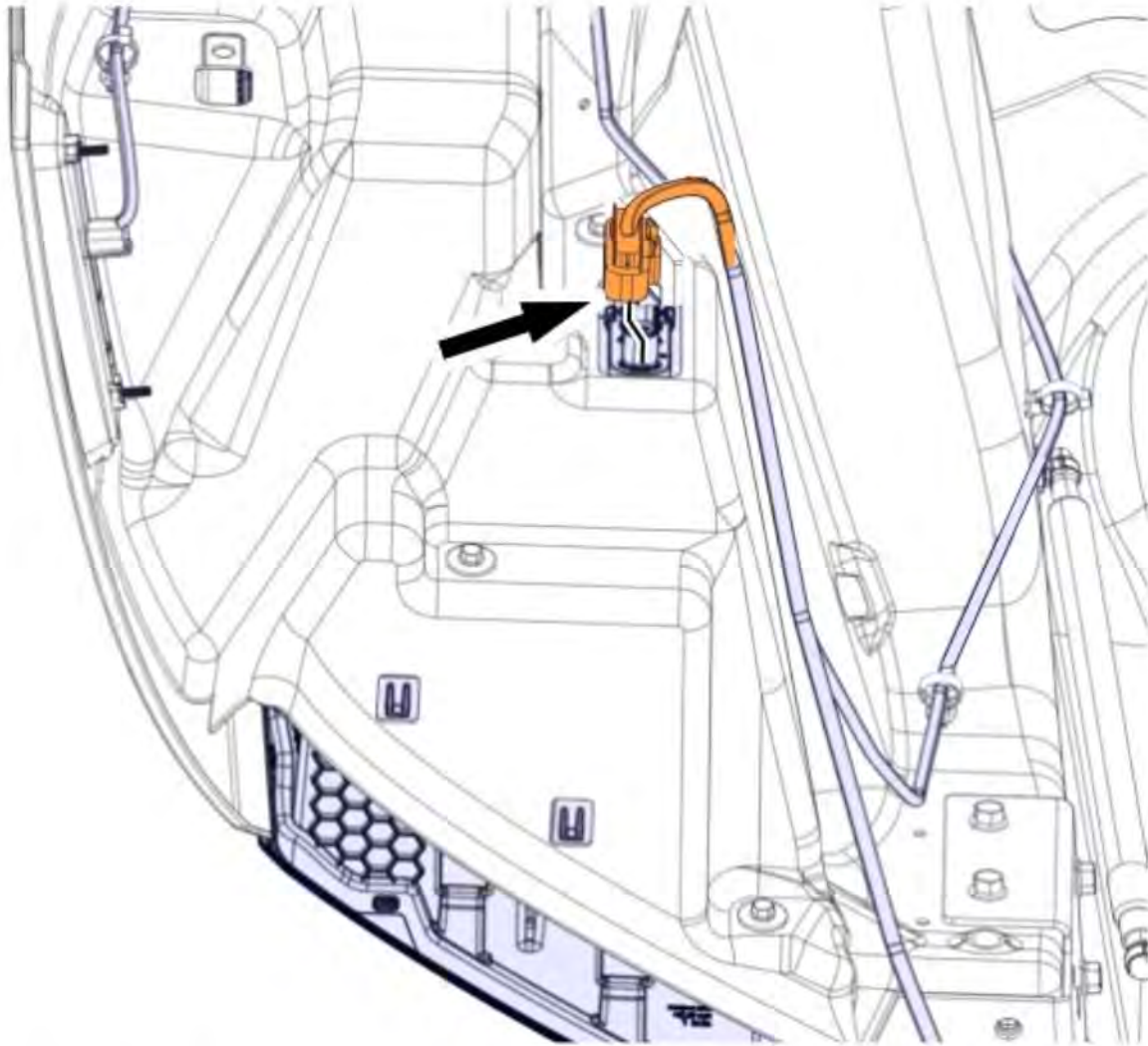


16	Torque tighten the screws.
----	----------------------------

Tightening torque	
Headlamp, screws	Tightening sequence: 1-4
	$10 \pm 1 \text{ Nm}$ $(7 \pm 1 \text{ lb}_f\text{-ft})$

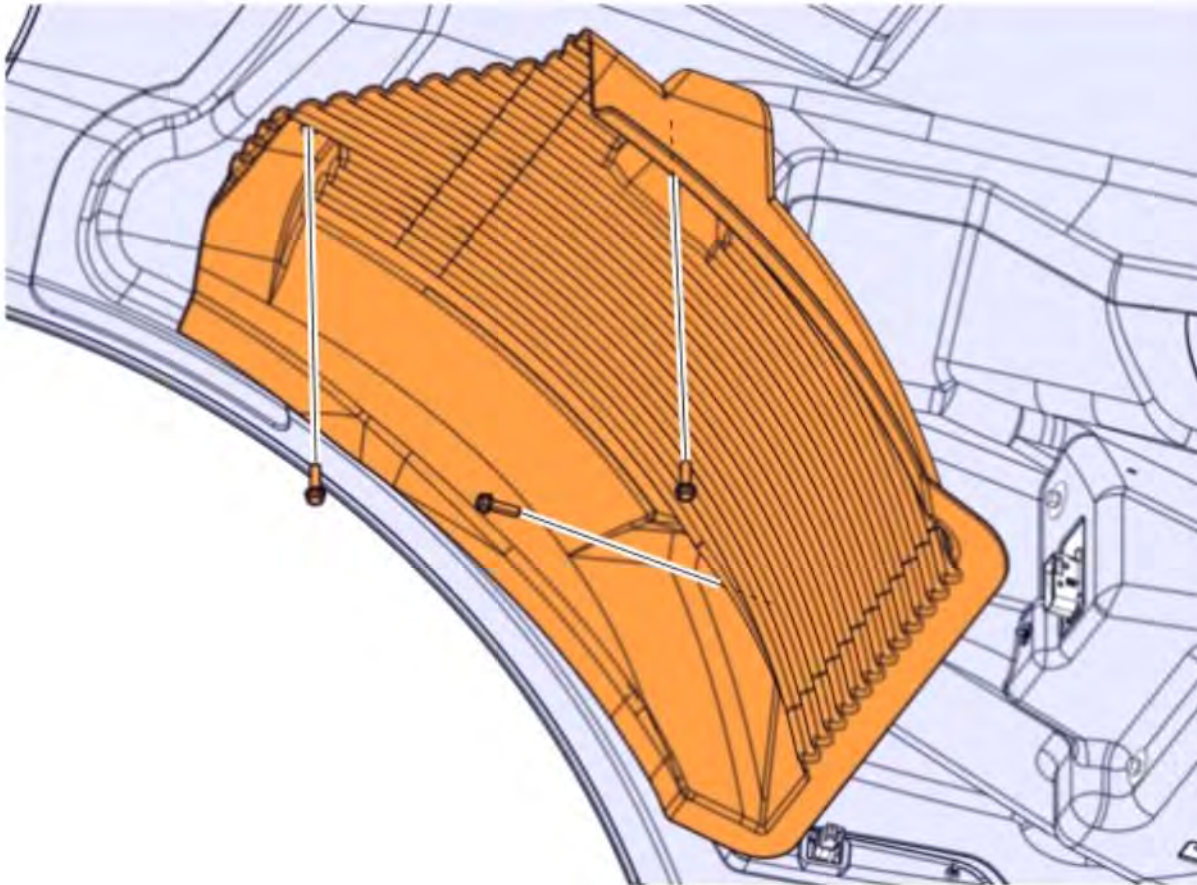


17	Connect the connector.
----	------------------------




18	Install the splash shield.
----	----------------------------

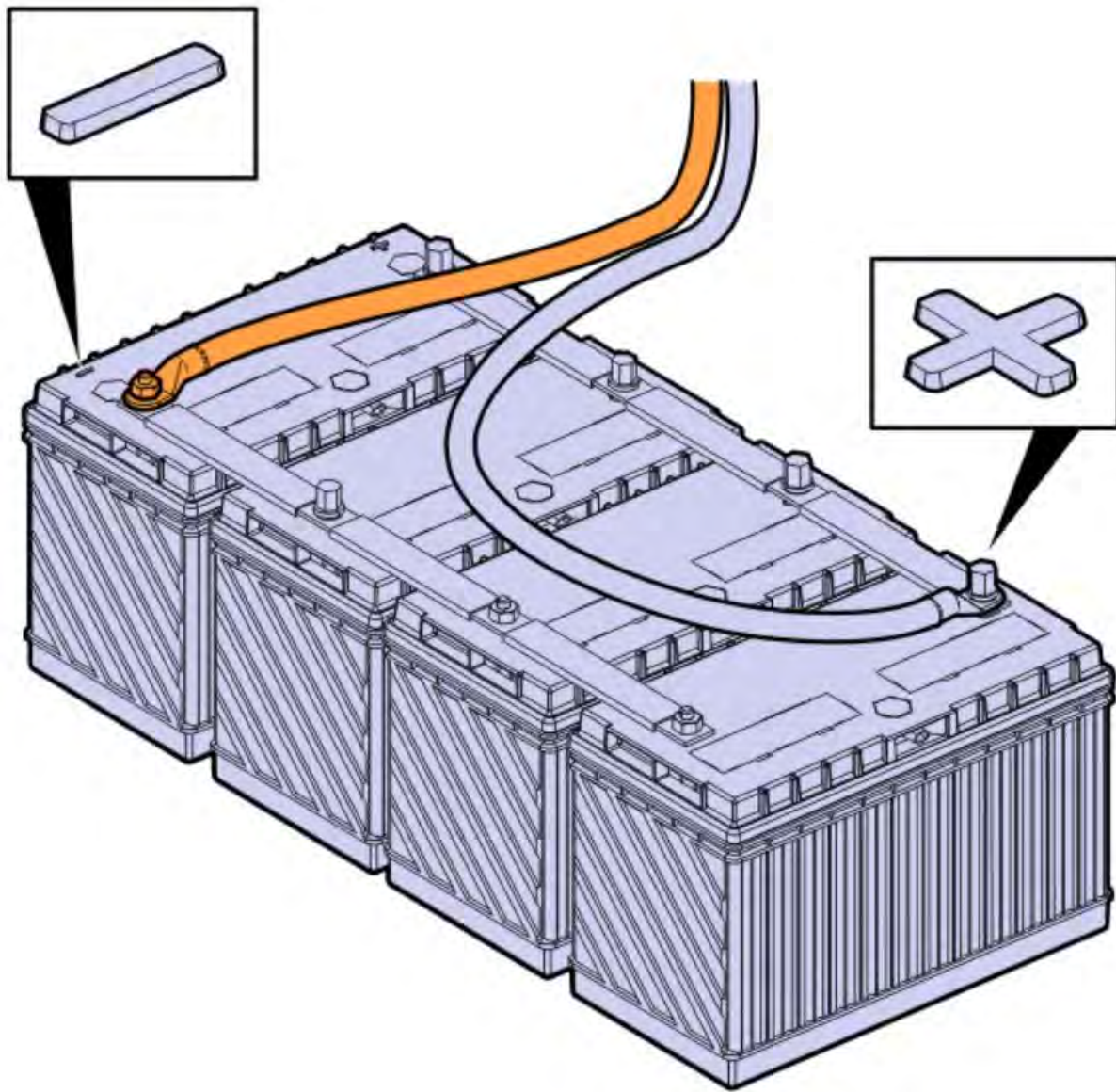
19	Install the screws.
----	---------------------



20	Tighten the screws to torque.	
	Tightening torque	
	Screw	M8
		$10 \pm 0.5 \text{ Nm}$ $(7 \pm 0.4 \text{ lb}_f\text{-ft})$

21	Lower the hood.	
		<p>Note Ensure that the hood is latched.</p>

22	Connect the cable to the negative terminal.
----	---



23	Adjust the headlamps.
24	Remove the wheel chocks.

