

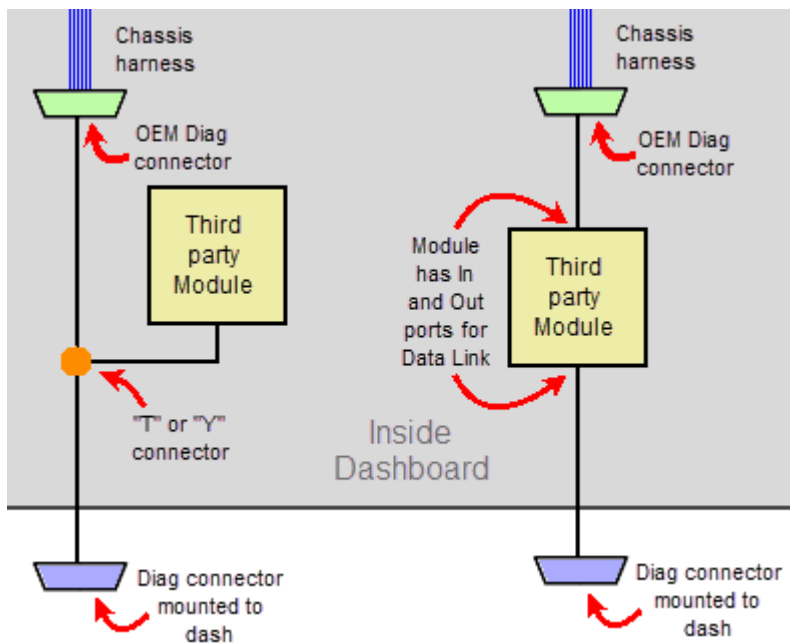


Correct Installation Of Permanent Electronic Log Devices (eLog, E-Log)(Qualcomm, PeopleNet, GPS, Location Tracker, Etc.) On The Data Link; Installation Instructions And Information For Third Party (Aftermarket) Devices Connected To The Data Link



> Internal Content

Recent models of third party devices in many cases utilize either a "T" or "Y" connector that connects to the OEM Diagnostic connector, or will place the module in-line so the diagnostic connector mounted to the dash is in fact a diagnostic connector from the third party device. A diagram showing these two situations can be seen below:



IMPORTANT:

- Do not daisy chain more than 2 overlay harnesses.
- 3rd party connecting harness length should not be more than 1 meter in length.
- 3rd party devices must not be connected to the main diagnostic connector under the steering wheel.
- 3rd party devices must be listen-only or passive mode.
- 3rd party devices must not use power with key off to avoid battery



uck must maintain all factory install terminating resistors in the harness

An OEM overlay harness is available that should always be utilized to connect modules meeting the above specifications to the vehicle data link. The parts department will need to look up and provide the correct overlay harness. Questions on the harness should be directed to the Parts Order Desk.

Installation instructions and information for the overlay harness can be found by searching for Operation [3711-02-02-01 Data Link Connection Overlay Harness, for Accessory Equipment, Installation](#) in the Service tab of Impact.

- **Note:** If the operation does not show up when using the VIN, remove the VIN and enter the chassis model.

Tags

[k04324853](#)[cu15](#)[cu12 cng](#)[cu9 cng](#)[cu9](#)[mack](#)[volvo](#)

Related links and attachments

No links or attachments available



Feedback

[Give feedback](#)

to help improve the content of this article

37146-2 Data Link Connection Overlay Harness, for Accessory Equipment, Installation

Note: Information is subject to change without notice. Illustrations are used for reference only and can differ slightly from the actual vehicle being serviced. However, key components addressed in this information are represented as accurately as possible.

You must read and understand the precautions and guidelines in Service Information, group 30, "General Safety Practices" before performing this procedure. If you are not properly trained and certified in this procedure, ask your supervisor for training before you perform it.

Note: Do not daisy chain more than 2 overlay harnesses.

Note: 3rd party connecting harness length should not be more than 1 meter in length.

Note: 3rd party devices must not be connected to the main diagnostic connector under the steering wheel.

Note: 3rd party devices must be listen-only or passive mode.

Note: 3rd party devices must not use power with key off to avoid battery drain.

Note: The truck must maintain all factory install terminating resistors in the harness.

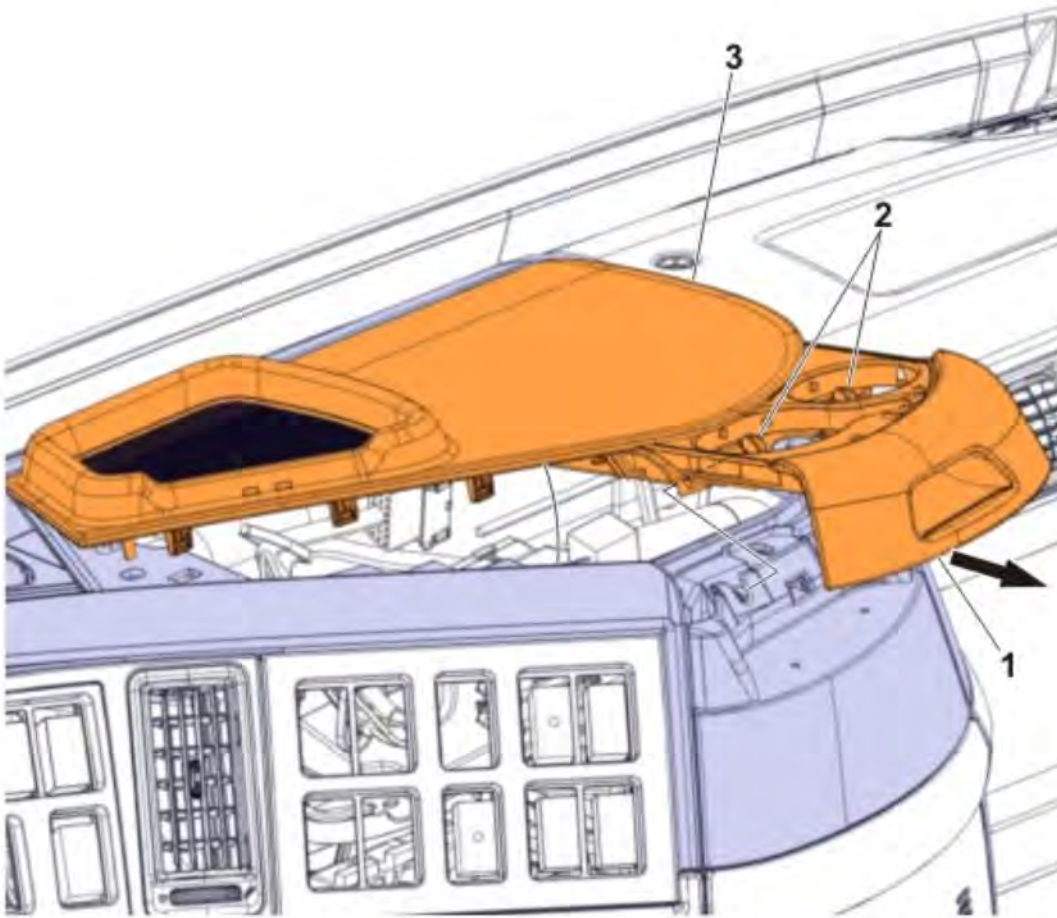
1

Secure the vehicle for service by parking it on a flat level surface, applying the parking brake, chocking the rear wheels, and placing the transmission in neutral.

2

Disconnect all cables from the negative (ground) battery terminal to prevent personal injury from electrical shock and prevent damage to electrical components.

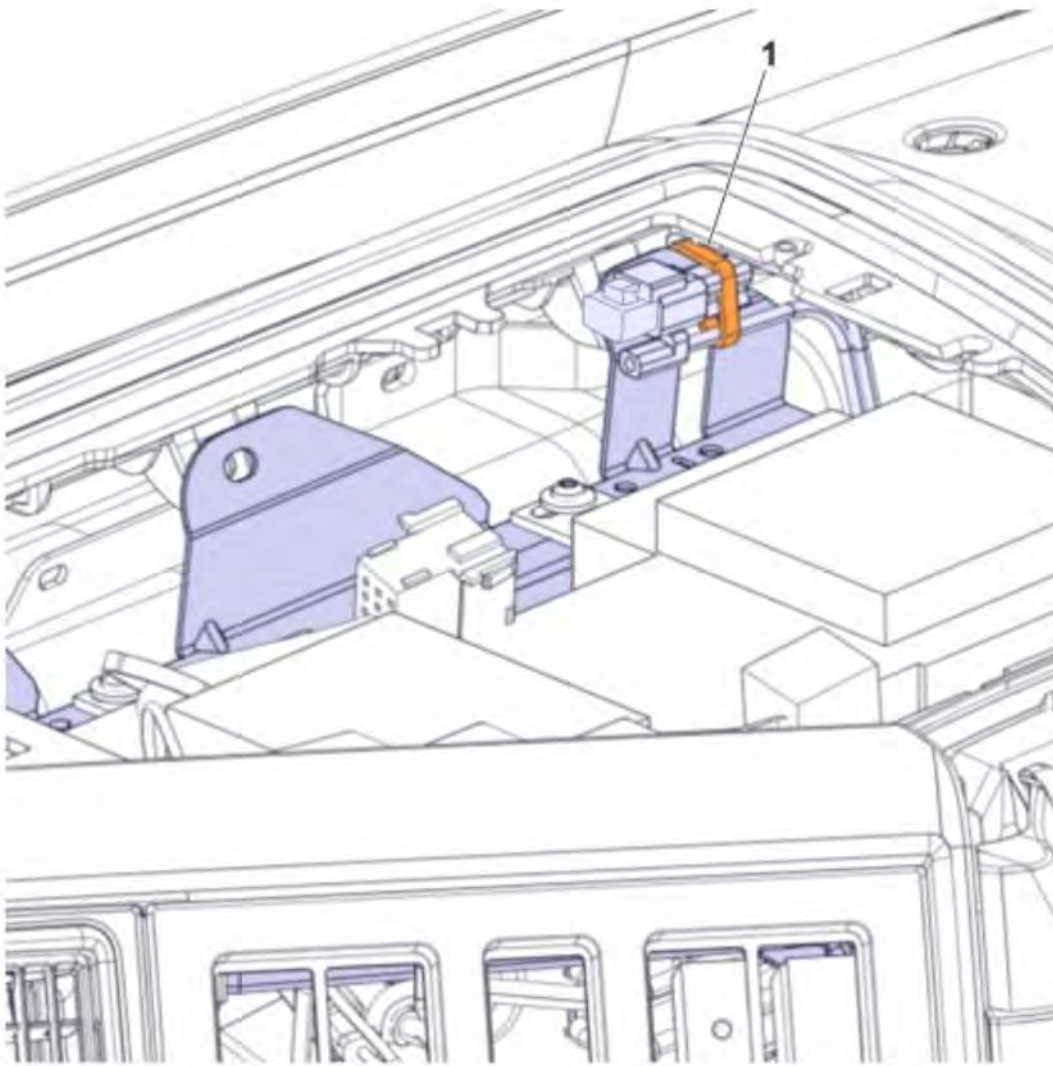
3



1. Drink Holder
2. Fasteners
3. FRC panel

Remove the drink holder, and two fasteners then remove the Fuse and Relay Center (FRC) panel.

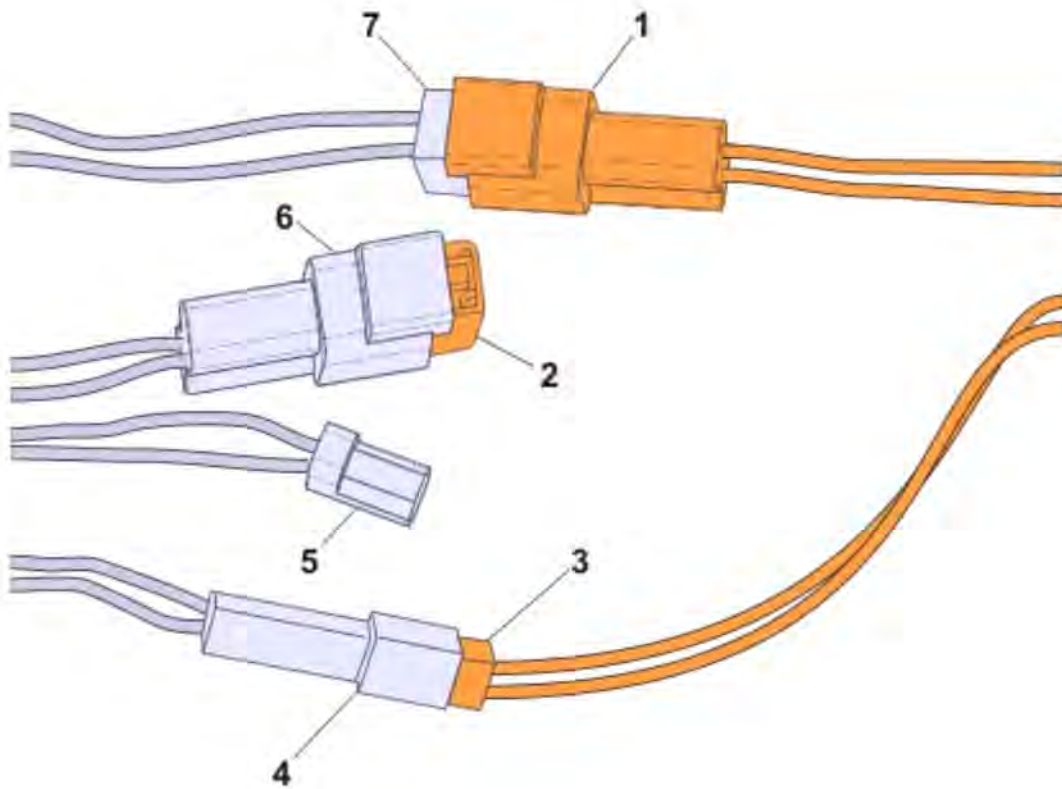
4



1. Cable Tie

Remove the cable tie from the data link connection located on the rear corner of the dash.

5



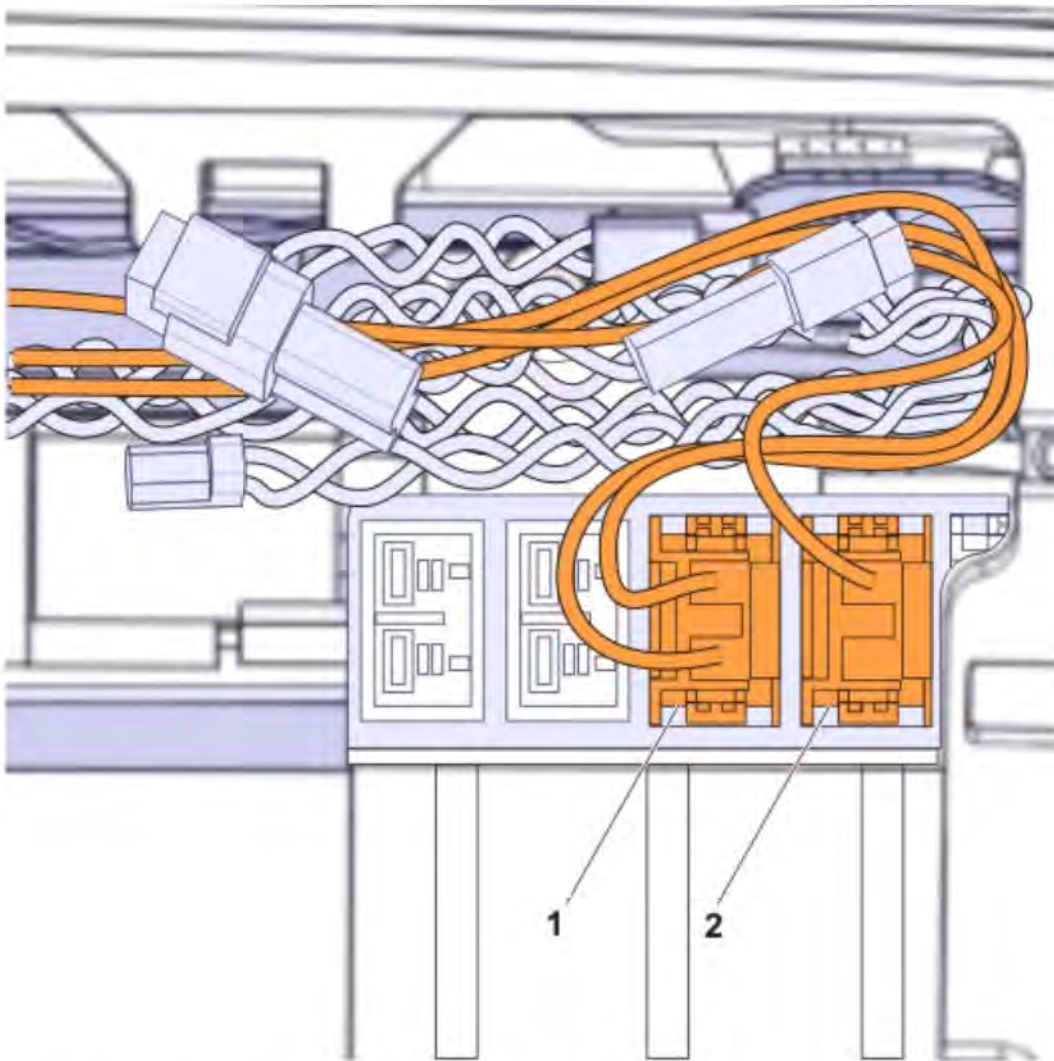
- 1. Data Link
- 2. Terminating Resistor
- 3. Data Link
- 4. J1587 Data Link
- 5. J1587 Data Link
- 6. J1939
- 7. J1939

Connect the data link from the cab harness to the overlay harness.

6

Transfer the terminating resistor onto the overlay harness

7



1. Connection to Battery
2. Connection to Ignition

Install power point connectors into slots in the FRC.

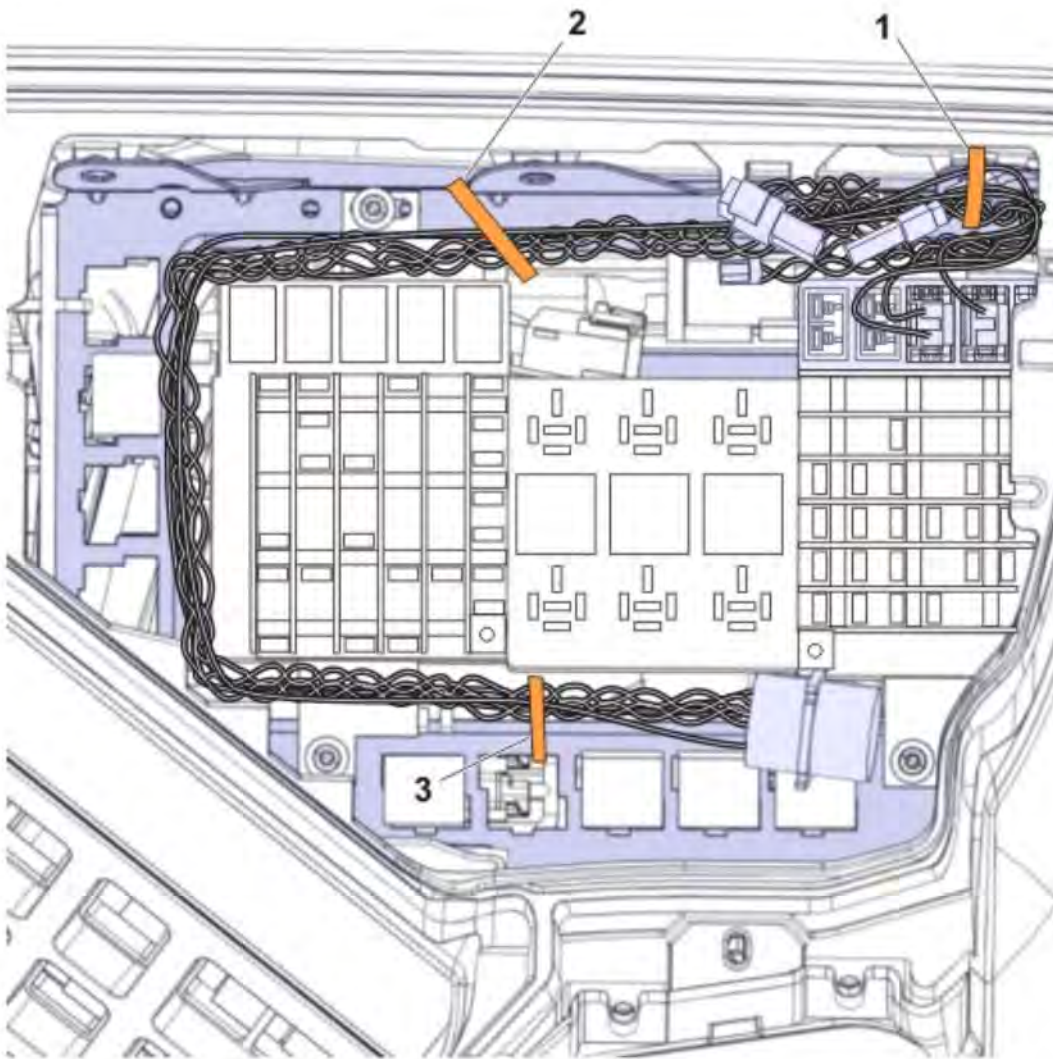
- Connection to Battery B1-1, B1-2, B1-3 (Double wires)
- Connection to Ignition B1-4, B1-5, B1-6 (Single wire)

Note: Chose an empty slot for each connection, battery and ignition.

8

Place the harness (22281387) into position onto the FRC.

9

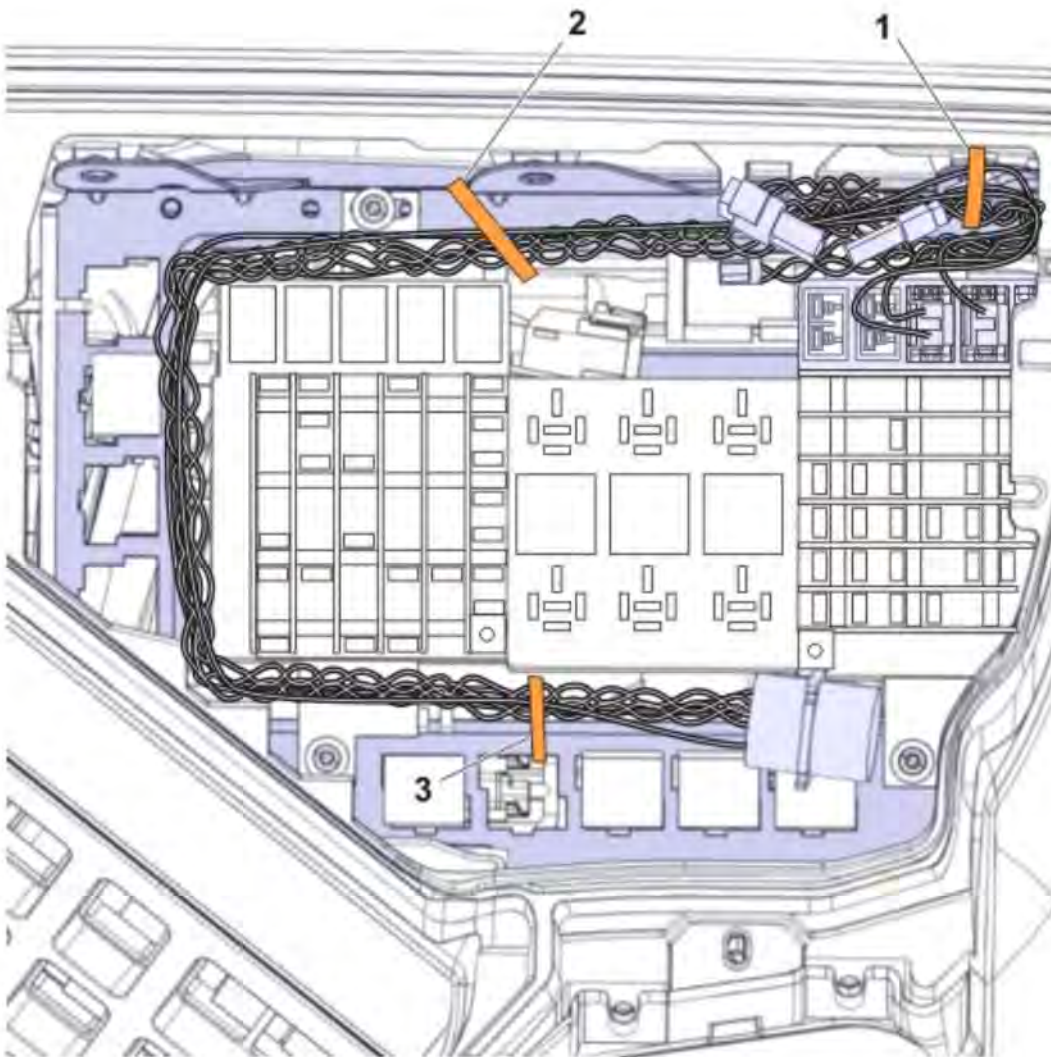


1. Cable tie

Cable tie the data link connections to the rear corner of the FRC.

Note: Do not over tighten cable ties.

10



2. Cable tie

3. Cable tie

Route and tie the harness as shown above.

Note: Do not over tighten cable ties.

11

Install the fuses according to the FRC label.

Note: Fuses should go into an open socket for both ignition and battery.

Note: See section entitled: Expansion on Fuse and Relay Center panel layout.

FUSE	Location	Description
B1-1	F11	Secondary Instrument Cluster Battery
B1-2	F12	Diagnostic Road Relay Battery
B1-3	F43	Roof Sign Battery
B1-4	F31	Touch lock Ignition/ Heated Windshield

B1-5	F61	Road Relay Ignition
B1-6	F66	Secondary Instrument Cluster Ignition

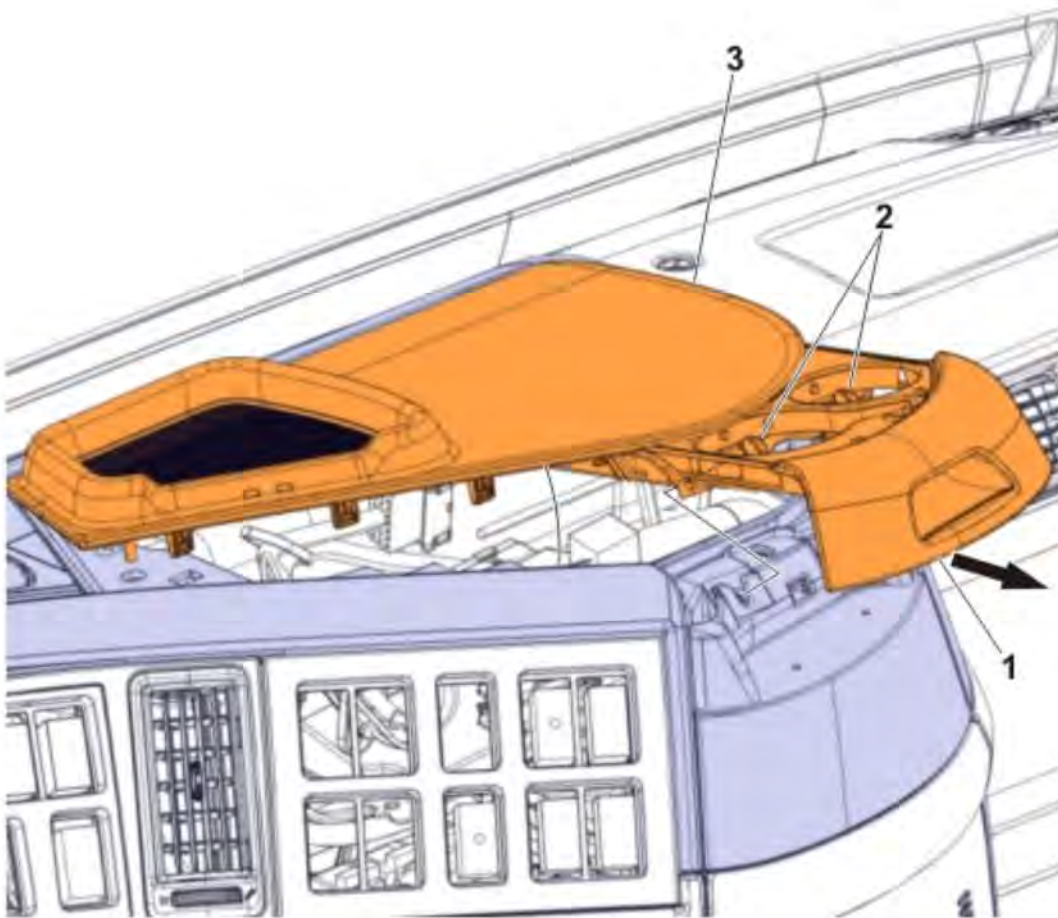
12

Install all the previously removed cables to the negative (ground) battery terminals.

13

Remove the wheel chocks.

14



1. Drink Holder
2. Fasteners
3. FRC panel

Install the FRC Panel (3), the drink holder (1) and fasteners (2).