



WARRANTY BULLETIN

WARRANTY CAMPAIGN

CAUTION: All involved customers must be notified, all involved units must be corrected as per instruction herein.

Campaign no.: 2022-0004

January, 2022

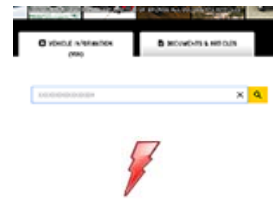
Subject: **RF D.E.S.S. Post Installation for School Key**

No. **2022-2**

MODEL YEAR	MODEL	ADMISSIBLE UNITS
2022	Ryker™ units loaned to training schools	Go to BOSSWeb/Warranty/Campaign Monitoring to know the quantity of units in your inventory impacted by this campaign

IMPORTANT

- When a vehicle comes in for service, always type the VIN in Knowledge Center to check for pending campaigns or alerts.
- When performing any work on a vehicle, it is good practice to connect it to BUDS2 to ensure that all needed updates are done.

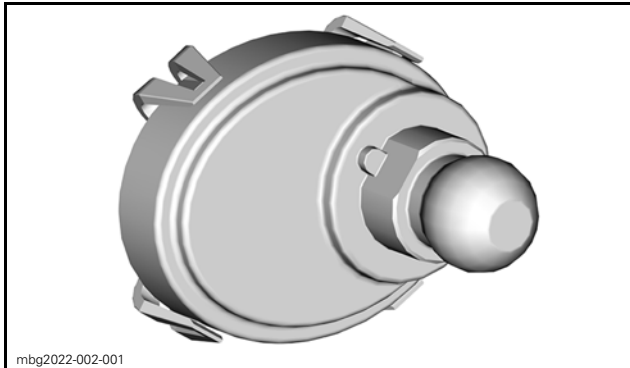


PROBLEM

Vehicles loaned to schools **must** have a RF D.E.S.S. post with the anti-theft function to be able to use the **mandatory** school key. The MY22 Ryker does not come equipped with the required RF D.E.S.S post.

SOLUTION

Replace D.E.S.S post for appropriate RF D.E.S.S post.



RF D.E.S.S. POST

PARTS REQUIRED

Do not order parts. Parts will be shipped progressively at no charge in the same sequence as the delivery of the units in the network.

DESCRIPTION	PART NUMBER	QUANTITY
RF D.E.S.S. post	710007242	1

CORRECTIVE ACTION

Install the RF D.E.S.S. Post on the vehicle. Refer to *RADIO FREQUENCY DIGITALLY ENCODED SECURITY SYSTEM (RF D.E.S.S.)* subsection in the appropriate **online SERVICE MANUAL**.

For key programming, refer to the **online** instruction sheet "CAN-AM ON-ROAD KIT - Ryker School Key", article #139565 on the *KNOWLEDGE CENTER*

WARRANTY

NOTE: Campaign applicable only to dealers providing Ryker loaner unit(s) to riding schools part of the rider education program (REP).

Submit a warranty claim using the following information.

For claiming procedure, refer to the [online DEALER/DISTRIBUTOR WARRANTY GUIDE](#).

Product Line	Roadster
Unit Model Year	2022
Campaign/Bulletin/Description	4 / 2022-2 / DESS post for school
*Action	
Inspect	Repair
<input type="checkbox"/>	<input checked="" type="checkbox"/>
Total Labor time paid	0.4 hour
Expiration date	October 31, 2023