

# 2022 LX 600 Pre-Delivery Service (PDS)

**Service Category** General

**Section** Pre-Delivery Service

**Market** USA

Toyota Supports  
ASE Certification 

## Applicability

YEAR(S)	MODEL(S)	ADDITIONAL INFORMATION
2022	LX600	

## Introduction

This bulletin contains the vehicle specific pre-delivery services for 2022 model year LX 600 vehicles. Additionally, refer to the applicable Pre-Delivery Service (PDS) Check Sheet for services to be performed.

## Warranty Information

OP CODE	DESCRIPTION	TIME	OFF	T1	T2
N/A	Not Applicable to Warranty	–	–	–	–

## Procedures

- [D/C Cut Fuse \(30A\) Installation](#)..... 2
- [Seating Position Control ECU Initialization](#)..... 3
- [Installation of Towing Hitch Cover\\*](#)..... 3
- [Front License Plate and Mounting Bracket Installation\\*](#)..... 4
- [Tire Pressure Warning System Initialization](#)..... 6

\*If Applicable

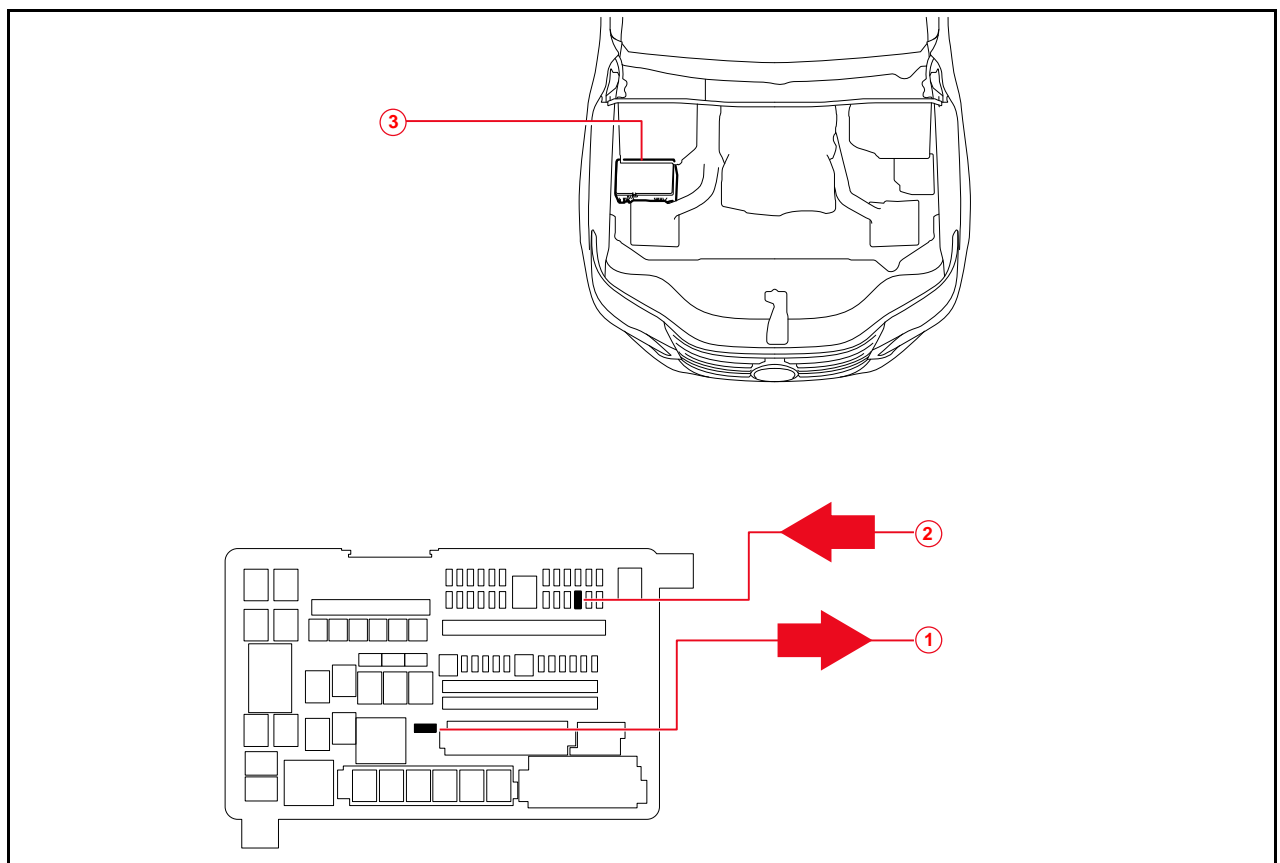
## 2022 LX 600 Pre-Delivery Service (PDS)

### D/C Cut Fuse (30A) Installation

To minimize battery discharge during transportation and storage, the D/C cut fuse (30A) has been removed at the assembly plant and temporarily stored in the blank space of the relay block in the engine compartment. During PDS, reinstall the D/C cut fuse (30A) to its original location and confirm ALL related Diagnostic Trouble Codes (DTCs) are cleared.

Remove the D/C cut fuse (30A) from the blank space of the relay block in the engine compartment and install the D/C cut fuse (30A) in the relay block as shown.

**Figure 1.**



<b>1</b>	<b>Remove D/C Cut Fuse (30A)</b>
<b>2</b>	<b>Install D/C Cut Fuse (30A) (Original Location)</b>

<b>3</b>	<b>Relay Block</b>
----------	--------------------

**NOTE**

With the DC CUT FUSE (30A) removed, the diagnostic trouble code (DTC) is detected when the ignition is turned on during transportation. Clear all DTCs using the GTS after checking that there are no malfunctions on the vehicle.

## 2022 LX 600 Pre-Delivery Service (PDS)

---

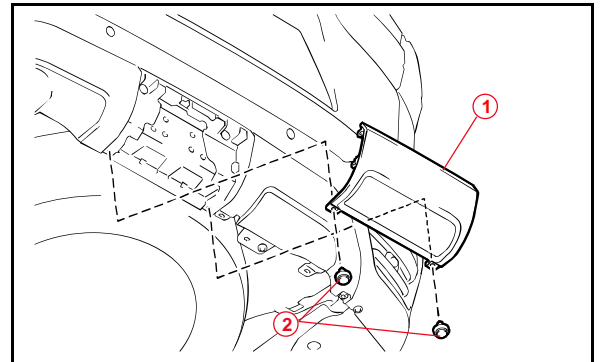
### Seating Position Control ECU Initialization

Refer to the applicable Repair Manual for the seating position control ECU [initialization procedure](#) (procedure 3).

### Installation of Towing Hitch Cover

1. Attach the two provided clips to install the towing hitch cover.

**Figure 2.**



<b>1</b>	<b>Towing Hitch Cover</b>
<b>2</b>	<b>Clip</b>

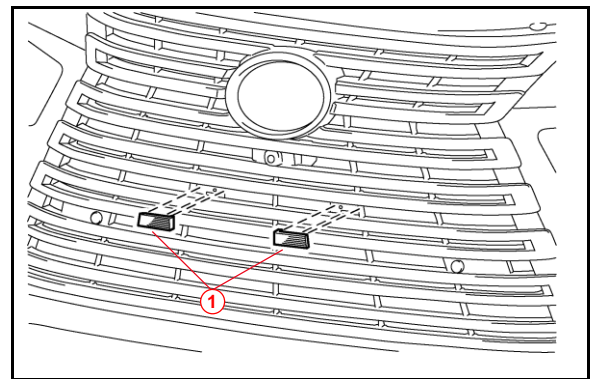
## 2022 LX 600 Pre-Delivery Service (PDS)

### Front License Plate and Mounting Bracket Installation

The front license plate mounting bracket and two self-tapping screws for the 2022 model year LX 600 are stored in the rear cargo area of the vehicle. For states that require a front license plate, install the license plate and mounting bracket during PDS.

1. Remove the two radiator grille mouldings by disengaging the three claws on each.

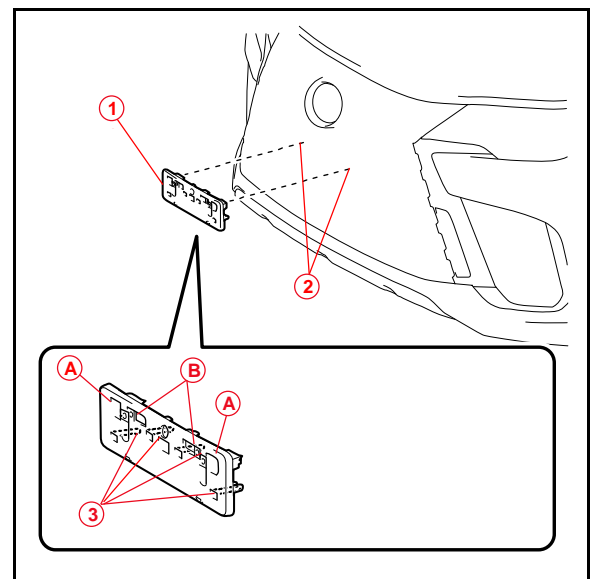
**Figure 3.**



<b>1</b>	<b>Radiator Grille Moulding</b>
----------	---------------------------------

2. Attach the front license plate mounting bracket hooks to the air intake of the radiator grille and hold in place.
3. Align holes "A" of the mounting bracket with the installation holes on the radiator grille.

**Figure 4.**



<b>1</b>	<b>Mounting Bracket</b>
<b>2</b>	<b>Installation Hole</b>
<b>3</b>	<b>Hook</b>

**NOTE**

- Holes "A" are used to install the mounting bracket to the bumper cover.
- Holes "B" are used to install the front license plate to the mounting bracket.

## 2022 LX 600 Pre-Delivery Service (PDS)

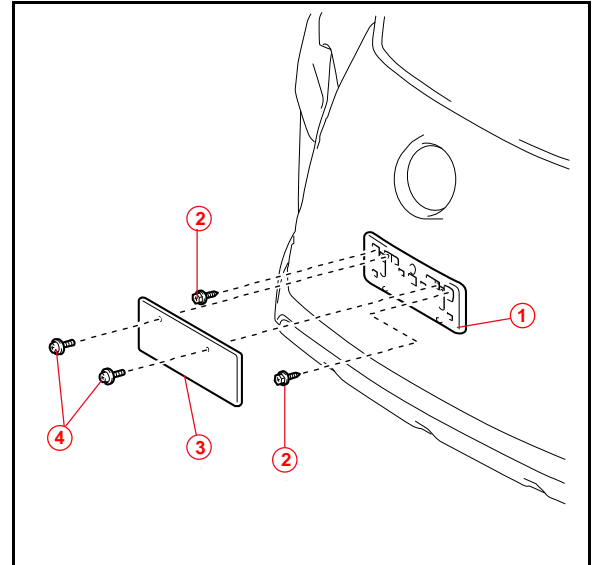
### Front License Plate and Mounting Bracket Installation (continued)

- Install the mounting bracket to the radiator grille using the two self-tapping screws provided.

**NOTICE**

Do NOT overtighten the self-tapping screws.

**Figure 5.**



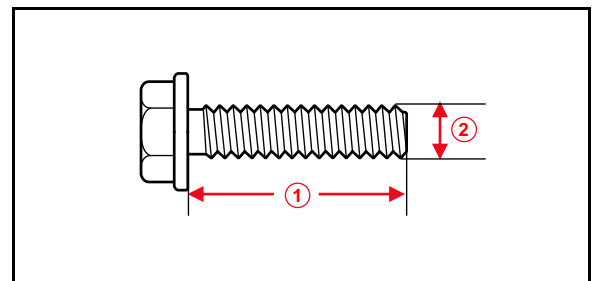
1	Mounting Bracket
2	Self-tapping Screw
3	License Plate
4	Bolt

- Install the front license plate using two noncorroding bolts with the following dimensions:

**Nominal Length: 15.0 mm (0.59 in.)**

**Diameter: 6.0 mm (0.24 in.)**

**Figure 6.**



1	Nominal Length
2	Diameter

## 2022 LX 600 Pre-Delivery Service (PDS)

---

### Tire Pressure Warning System (TPWS) Initialization

Refer to the applicable Repair Manual for the TPWS [initialization procedure](#). Note the spare tire does NOT have a TPWS sensor.

**NOTE**

To adjust the tire pressure correctly when the outside temperature is significantly colder than shop temperature, perform a Health Check using Techstream and select the compensation tire pressure checkbox. Compensation pressures will display on the Health Check results screen. Adjust the tire pressure when the tires are cold.