



STAR ONLINE PUBLICATION



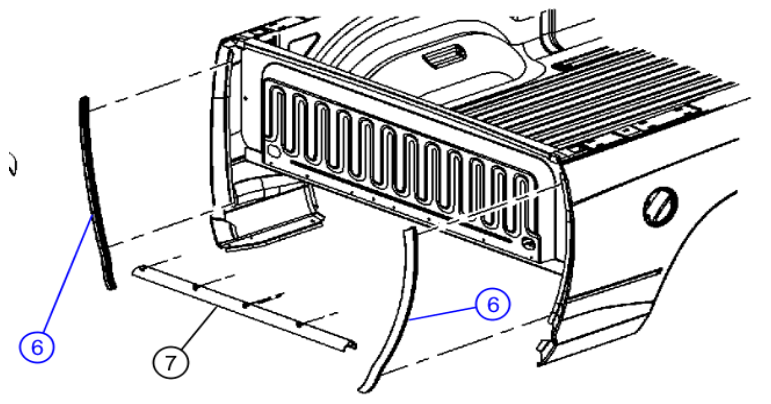
Case Number: S2123000041

Release Date: May 2021

Symptom/Vehicle Issue: Wind Or Whistle Noise From Sunroof And Or Rear Cab

Customer Complaint/Technician Observation: Driving at highway or freeway speeds a wind or whistle type noise may come from the roof area.

Discussion: Inspect the cab to bed vertical and horizontal seals (item 6 &7). If the seals are not fully adhered or missing- replace. These seals are used to minimize air turbulence between the pickup box and the cab. Turbulence caused from missing bed seals could lead to whistle noises from the sunroof drain tubes. Current part number for these vertical bed seals is 55397600AC. Horizontal seal 55372749AB. Always refer to Star Parts to look up the most current information.



This document does not authorize warranty repairs. This communication documents a record of past experiences. STAR Online does not provide any conclusions about what is wrong with the vehicle. Rather, it captures all previous cases known that appear to be similar or related to the vehicle symptom / condition. You are the expert, and you are responsible for deciding on the appropriate course of action.

Contact STAR Center, or your Technical Assistance Center Via TechCONNECT or eCONTACT ticket if no solution is found