



## STAR ONLINE PUBLICATION



**Case Number:** S2008000193

**Release Date:** 01/05/2021

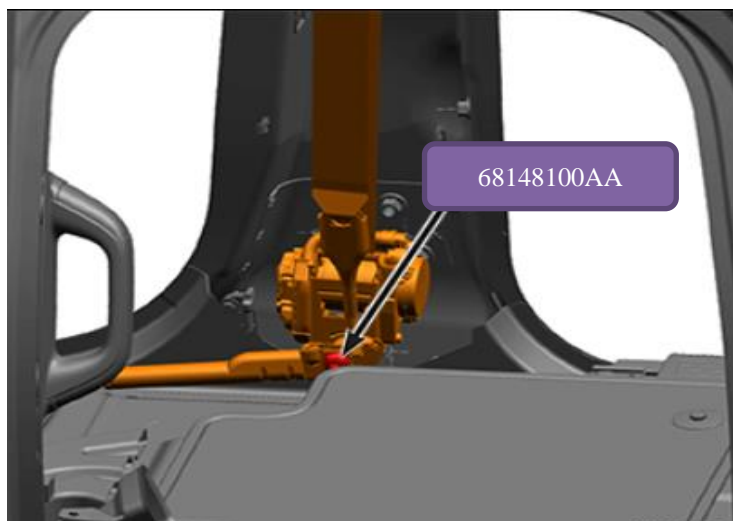
**Symptom/Vehicle Issue:** Air Bag Warning Lamp Illuminates, DTC B007F-2B Passenger Seat Belt Pretensioner Circuit

**Customer Complaint/Technician Observation:** Customer complains the air bag lamp is illuminated after a recent vehicle repair and or on a low mileage vehicle. Technician observed the has an air bag warning lamp illuminated and the vehicle is setting DTC(s) B007F-2B Passenger Seat Belt Pretensioner Circuit as stored or active.

**Repair Procedure:** Inspect the seat belt retractor connector at the lower B-pillar location passenger side. Disconnect the seat belt retractor connector and inspect for any signs of damage or terminals that may be spread. If no obvious connector terminal issues, reconnect and secure connector to complete to ensure properly connected, no added parts required. If any suspect connector concerns, a connector repair kit 68148100AA can be used to complete repair as needed.

### Refer to service information:

10 - Restraints / RETRACTOR, Seat Belt/Removal and Installation  
SEAT BELT RETRACTOR - FRONT OUTBOARD



This document does not authorize warranty repairs. This communication documents a record of past experiences. STAR Online does not provide any conclusions about what is wrong with the vehicle. Rather, it captures all previous cases known that appear to be similar or related to the vehicle symptom / condition. You are the expert, and you are responsible for deciding on the appropriate course of action.

**Contact STAR Center, or your Technical Assistance Center Via TechCONNECT or eCONTACT ticket if no solution is found**