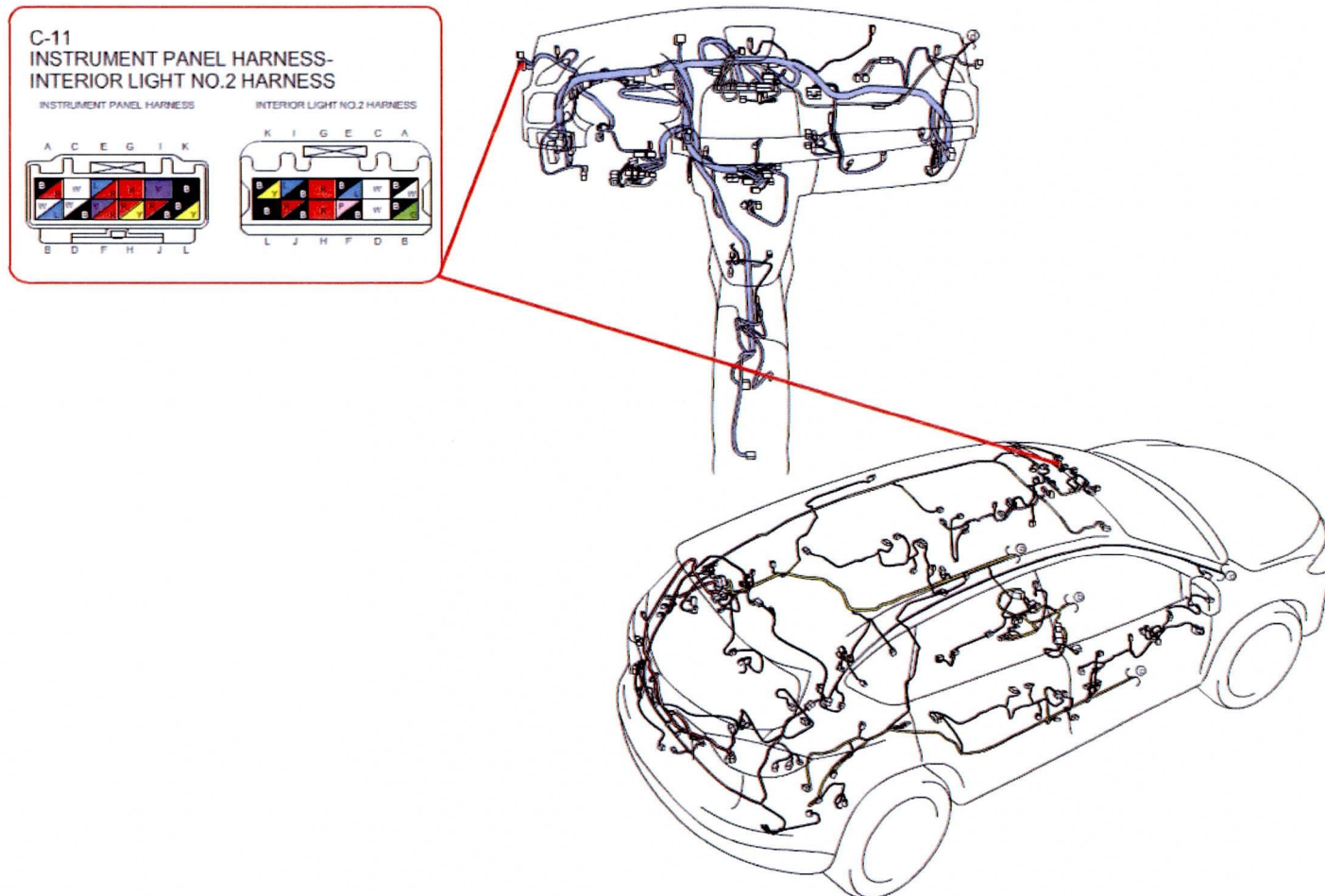


2016 CX-5 *INTERMITTENT NO CRANK / NO START*

Some customers may complain about an intermittent no crank/no start. This may be caused by instrument panel wiring harness connector C-11 not fully seated (locked).

IDS may show several U codes stored in memory. Properly secure the instrument panel wiring harness connector C-11 to resolve customer complaint.



An editorial board comprised of MNAO service staff members generates, collects, and verifies information for this publication. © 2015 Mazda Motor of America, Inc.

To contribute repair tip ideas, send an e-mail to mtips@mazdausa.com or fax to (949) 442-6599. If we select your repair tip, you will receive 10,000 Reward Performance by Mazda (RPM) points for your efforts. All contributions become property of MNAO, which assumes permission to publish them without further consideration.