



SIB 00 02 07

SPECIAL TOOLS: F 800 S / ST - Bulletin 00 002 07 (006)

2021-12-14

This Service Information Bulletin replaces SI 00 002 07 (006) **dated February 2007**.

The contents of this bulletin have not changed; bulletin numbering was updated.

MODEL

This document applies to the following Motorrad AG models: n/a

This document applies to the following Motorrad model descriptions: n/a

This document applies to the following Motorrad series: n/a

SITUATION

This document is applies to the following categories: Maintenance and General Information

Supporting Materials

[picture_as_pdf 00 002 07 \(006\) - F800 tools.pdf](#)

Dealer Operation/ General Manager	Sales- Motorcycles	Sales - Used Motorcycles	Business Manager (F&I)	Service	Parts & Accessories	Administration
Date: February 2007 Bulletin #: 00 002 07 (006)		Source: 00 35/2006 BMW Motorrad USA Service and Technical				



BMW Motorrad Service Information Bulletin

Subject: Special tools - F 800 S / ST (K71)

Model: F800 S / ST (K71)

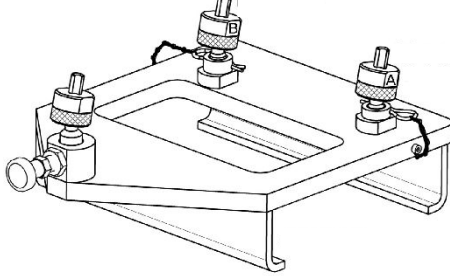
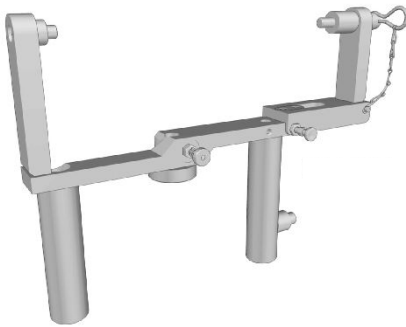
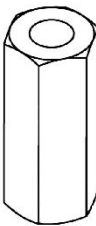
Details: Below is a list of BMW Special Tools for the new F 800 S / ST models. The items that are highlighted are part of the initial tool package, which will be shipped to all dealers under the Automatic Tool Shipment Program.

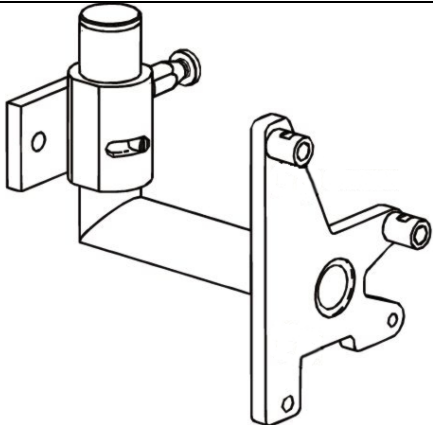
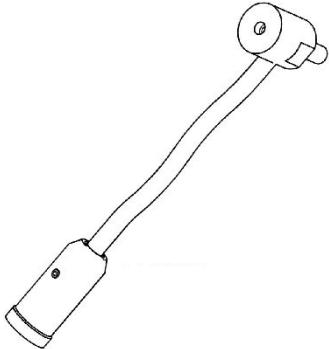
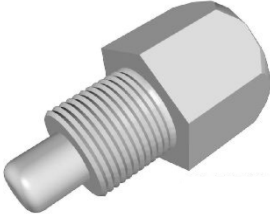
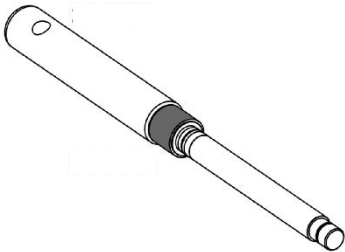
Part Number	Description	Dealer Net	Retail
83 30 0 417 766	Engine adapter	\$ 295.00	\$ 421.45
83 30 0 417 767	Bushings for adapter H	\$ 39.00	\$ 55.70
83 30 0 417 768	H adapter	\$ 359.00	\$ 512.85
83 30 0 417 769	Adapter, M8 inside thread	\$ 19.00	\$ 27.15
83 30 0 401 437	Bushing	\$ 29.00	\$ 41.45
83 30 0 417 772	Magnetic holder	\$ 69.00	\$ 98.60
83 30 0 417 773	Puller tool	\$ 53.00	\$ 75.70
83 30 0 417 774	Set, drift with bushing	\$ 39.00	\$ 55.70
83 30 0 417 776	Drift	\$ 29.15	\$ 45.00
83 30 0 417 777	Bushing	\$ 9.00	\$ 12.85
83 30 0 417 778	sliding sleeve	\$ 21.00	\$ 30.00
83 30 0 417 780	Washer	\$ 12.95	\$ 18.50
83 30 0 417 781	Washer	\$ 12.95	\$ 18.50
83 30 0 417 782	Impact bushing	\$ 99.00	\$ 141.45
83 30 0 417 783	Support	\$ 12.95	\$ 18.50
83 30 0 417 784	Washer	\$ 11.00	\$ 15.75
83 30 0 417 788*	Balancing adapter	\$ 79.00	\$ 112.85
83 30 0 417 790	Adapter shaft	\$ 53.00	\$ 75.70
83 30 0 418 173	Extension	\$ 19.00	\$ 27.15
83 30 0 418 263	Belt-tension tester	\$ 295.00	\$ 421.25
83 30 0 402 242	Front wheel mount	\$ 214.90	\$ 331.00


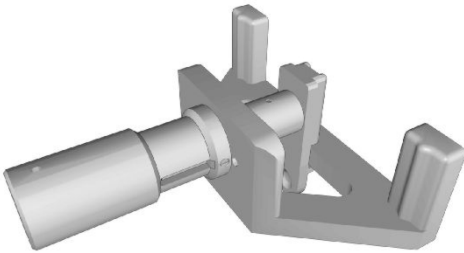
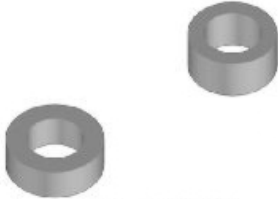
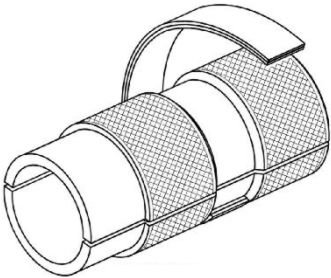
* this part will ship at a later date once inventory is available. The bulletin will be re-issued announcing its shipment.

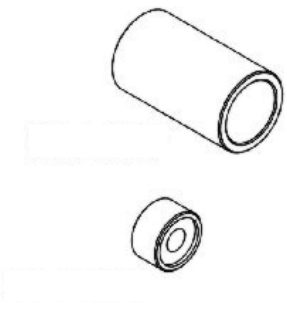
Special tools, F 800 S/ST

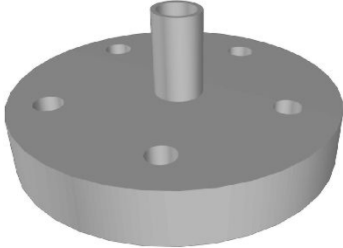
-mechanical tools -

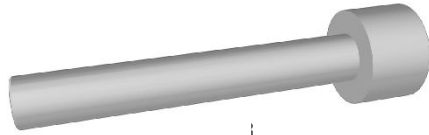
Order No.	Item	
		(In combination with: scissor-type lifter 83 30 0 401 345, extension 83 30 0 401 348)
83 30 417 766	Engine adapter, K71 (Only in combination with 83 30 0 417 767)	Removing and installing engine / repair and maintenance work
	Bushing, K71	
		(In combination with basic stand 83 30 0 401 358)
83 30 0 417 768	H adapter, K71	Repair and maintenance work
		(In combination with: pull rod 83 30 0 401 399, impact weight 83 30 0 401 400)
83 30 0 0 417 769	Adapter, M8 inside thread	Pulling out water-pump shaft

		<p>(In combination with: engine holder 83 30 0 401 435)</p>
<p>83 30 0 401 437</p>	<p>Bushing, K71</p>	<p>Engine repairs, engine removed from motorcycle</p>
		<p>(In combination with: angle-of-rotation gauge 83 30 0 417 770)</p>
<p>83 30 0 417 772</p>	<p>Magnetic holder</p>	<p>Counter-holding angle-of-rotation gauge</p>
		
<p>83 30 0 417 773</p>	<p>Puller</p>	<p>Removing magnetic gear</p>
<p>83 30 0 417 774 set, complete.</p>		<p>Set, drift with bushing</p>
<p>83 30 0 417 776 83 30 0 417 777</p>	<p>Drift Bushing</p>	<p>Removing and installing needle roller bearing of clutch release shaft</p>

		
83 30 0 417 778	Sliding sleeve	Shaft sealing ring, output shaft
		
83 30 0 418 263	Belt-tension tester	Adjusting toothed belt
		(In combination with: spindle with thrust nut 83 30 0 401 925, support 83 30 0 401 926, washer 83 30 0 401 927)
83 30 0 417 780	Washer	Installing needle roller bearing, swinging arm, 31.5 mm
83 30 0 417 781	Washer	Installing needle roller bearing, swinging arm 34.5 mm
		
83 30 0 417 782	Impact bushing	Installing fork shaft sealing ring and sealing boot

		<p>(In combination with: spindle with thrust nut 83 30 0 402 092)</p>
<p>83 30 0 417 783</p>	<p>Support</p>	<p>Removing rubber mount, spring-strut anchorage, swinging arm</p>
<p>83 30 0 417 784</p>	<p>Washer</p>	<p>Removing and installing rubber mount, spring-strut anchorage, swinging arm</p>

		<p>(In combination with: balancing jig 83 30 0 402 200, adapter shaft 83 30 0 402 201, balancing adapter 83 30 0 402 203)</p>
<p>83 30 0 417 788</p>	<p>Balancing adapter</p>	<p>Balancing rear wheel / testing for runout</p>

		<p>(In combination with rear-wheel stand 83 30 0 402 245)</p>
<p>83 30 0 417 790</p>	<p>Adapter shaft, K71</p>	<p>Mount, wheel axle</p>

Change, special tools

83 30 0 402 242	Front-wheel mount, general	Extra third hole for stability.
-----------------	----------------------------	---------------------------------

