



Mack Chassis - Granite 8 Series (GU, GU8, GR, M059, M753, M755) - Hood Guide Backing Plate - Updated Part Information And Installation Procedure;



> Internal Content

NOTE: This article covers the Granite 8 series ONLY. For Granite 7 series, refer to solution CBR-294.

The entire document should be reviewed and understood prior to performing any repair procedures to determine if repair is a viable option.

1. Parts

For this repair the following parts are required:

- 1 - 23367296 Left-hand backing plate
- 1 - 23367245 Right-hand backing plate
- 4 - 996452 Bolt (2 per backing plate)
- 4 - 994850 Washer (2 per backing plate)

2. Inspection

2.1 Before beginning any repairs, carefully inspect the hood reinforcement at the rear of the hood on both the right and left side.

- Cracks visible around the guide and backing plate that are not severe will be secured by the new part. An example is shown below:



- If the cracks have spread to the point that the guide and backing plate are missing support along multiple edges or is completely broken out, the hood will need to be replaced.

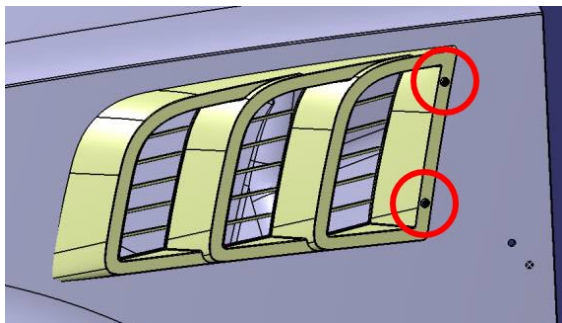


- If there is any other damage to either side beyond what can be repaired with the procedure below, replacement of the hood is recommended.

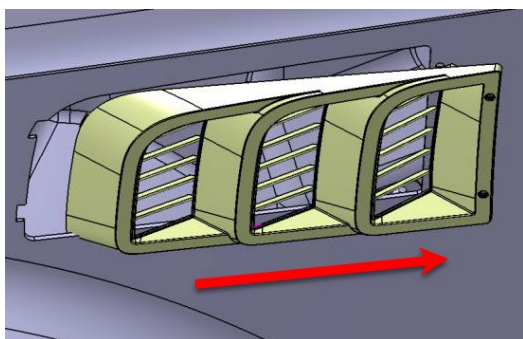
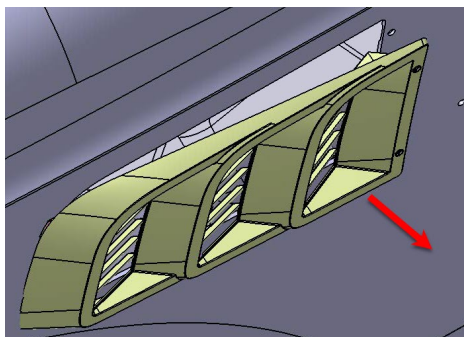
3. Old Backing Plate Removal

3.1. Remove the Air Intake Grille

3.1.1. Remove the two screws located at the rear of the grille as shown below




3.1.2. Pull the rear of the grille away from the hood, then slide the grille toward the cab to disengage the front mounting tabs.



3.2. Remove the old backing plate.

3.2.1. Unbolt the three mounting bolts for the plates.

3.2.2. Grind off or drill out the two rivets holding the plate in position.

 Live UI Remove the backing plate through the air intake opening.

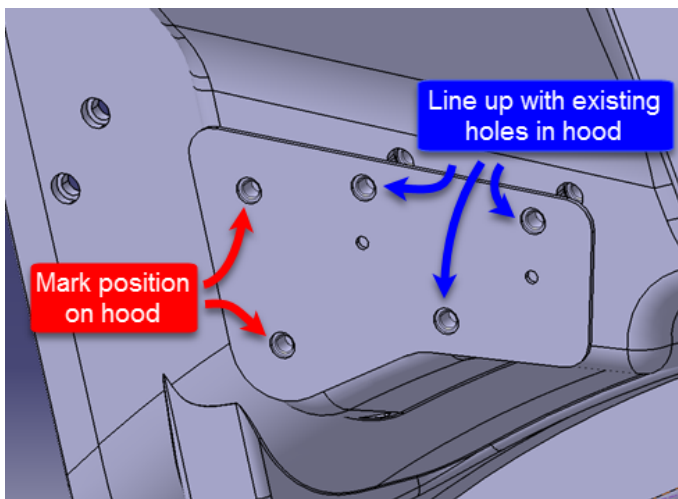
4. Hood Preparation

4.1. Mark the hood for new holes to be drilled.

DO NOT install the new backing plate at this time.

4.1.1. Obtain a new (updated) backing plate.

4.1.2. The new plate will have three holes that line up with the old design's mounting bolt holes. Align the holes in the new plate with the bolt holes on the inside of the hood. Mark the two holes for each plate indicated in the diagram below:



4.1.3. Set the new backing plate aside until Step 4.

4.2. Drill holes for the new backing plate mounting hardware

IMPORTANT

Care should be taken not to pierce the outer hood skin when performing the operation below.

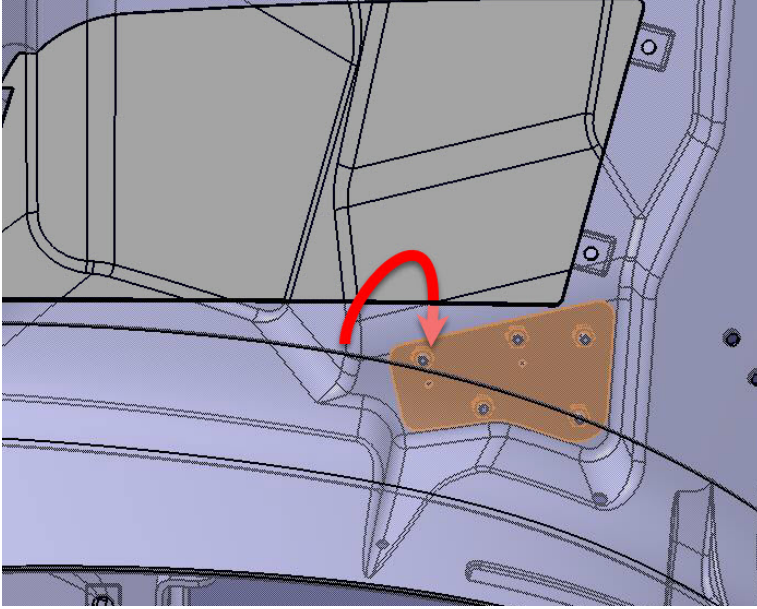
4.2.1 From the inside of the hood, drill one 10 millimeter hole at each of the two marks made in Step 4.1.

5. Reassemble the hood guide with the new backer plate.

5.1 Insert the new backing plate through the air intake opening.

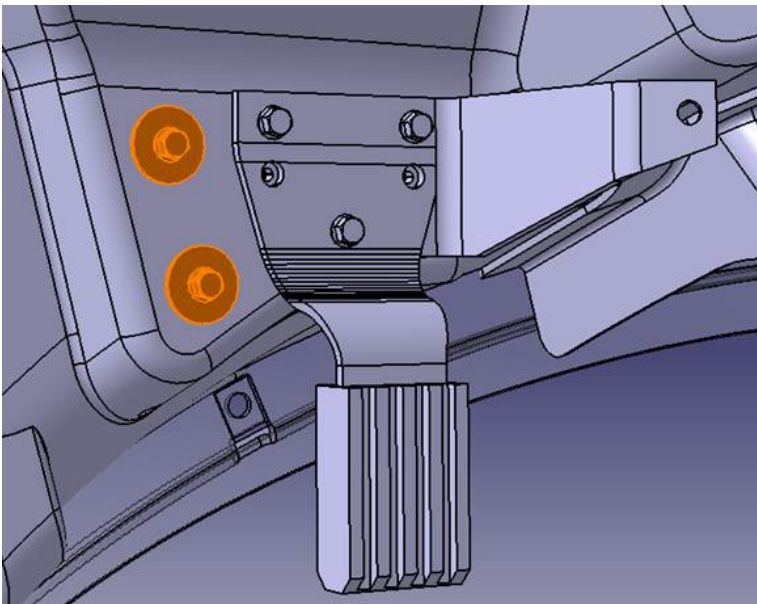
5.1.1 Optional: Rivet the backing plate to the hood using the holes

5.1.1. Optional. Rivet the backing plate to the hood using the holes that corresponded to the ones in the old backing plate.



5.2. Using the three original bolt holes, reinstall the three mounting bolts to secure the guide to the backing plate.

5.3. Install the two additional bolts and washers specified above in the new holes drilled in Step 4.2.



6. Reinstall the Air Intake Grille.

6.1. Installation is the reverse of the removal steps described in

 Live UI

 Tags

[hood](#)

[cracks](#)

[cracking](#)

[k30528053](#)

[mack](#)

Related links and attachments

No links or attachments available



Feedback

[Give feedback](#)

to help improve the content of this article